




Product information GO 610 WF schwarz/black

Industrial Connecting Solutions:Rectangular Connectors:DIN VDE 0627 / IEC 61984 Connectors (G serie):Cable socket:GO 610 WF schwarz/black

<http://www.e-catalog.beldensolutions.com/link/57078-24228-256261-24347-24348-36957/en/conf/ui/istate>

Name	GO 610 WF schwarz/black
	
	Cable socket with PG 11 cable gland with screw contacts
Delivery informations	
Availability	available
Product description	
Description	Cable socket with PG 11 cable gland with screw contacts
Type	GO 610 WF schwarz/black
Order No.	932 484-100
Type of contact	female
Number of contacts	6 + PE
Cable gland	PG 11
Conductor size	0.25 - 1 mm ²
Standard	DIN VDE 0627 / IEC 61984
Housing Color	black
Technical data	
Rated voltage	AC/DC 250 V
Rated current	10 A
Contact resistance	<= 4 mOhm
Type of termination	screw
Suitable cables	4 mm to 10 mm
Material	
Contact surface material	Sn
Contact bearer material	PA
Housing material	PA
Environmental conditions	
Protection class (IEC 60529)	IP 65
Pollution severity	3
Temperature range	-40 °C to +90 °C
Inflammability class	
Housing	94 V-1
Contact bearer	94 V-1
Packing unit	
Packaging unit	100 pieces
Scope of delivery and accessories	
Scope of delivery	1 cable socket with PG 11 cable gland, 1 central screw M 3 x 35, 2 gaskets, not assembled, in polythene bag
Accessories to order separately	can be plugged into GO 610 FA M



HIRSCHMANN

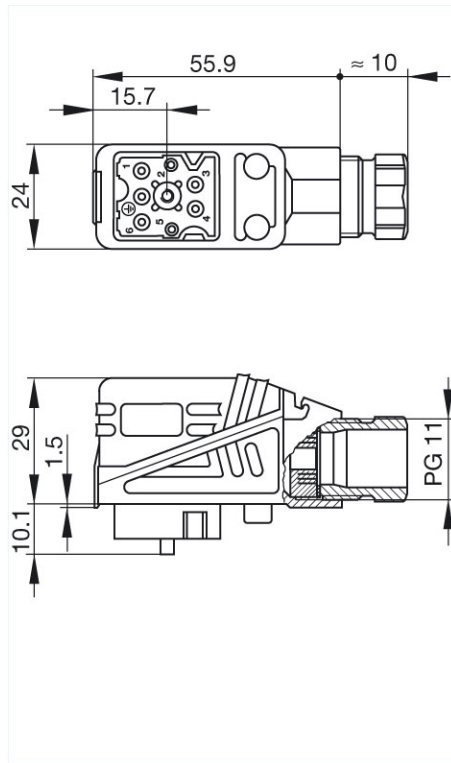
A BELDEN BRAND

Industrial Connecting Solutions:Rectangular Connectors:DIN VDE 0627 / IEC 61984 Connectors (G serie):Cable socket:GO 610 WF schwarz/black

<http://www.e-catalog.beldensolutions.com/link/57078-24228-256261-24347-24348-36957/en/conf/ui/istate>

Picture

Drawing



Belden Deutschland GmbH

Im Gewerbepark 2
58579 Schalksmühle
Germany
Phone: +49 7127/14-1806
E-Mail: icos-sales@belden.com

The information published in the websites has been compiled as carefully as possible. It is subject to alteration without notice in technical as well as in price-related/commercial respect. The complete information and data were available on user documentation. Mandatory information can only be obtained by a concrete query.

X-ON Electronics

Largest Supplier of Electrical and Electronic Components

Click to view similar products for [Hirschmann](#) manufacturer:

Other Similar products are found below :

[422875H](#) [603006001](#) [730176002](#) [GDSN 307-4 NBR LIGHT BROWN](#) [730185002](#) [GDS 307-2 NBR LIGHT BROWN](#) [730232002](#) [GSSNA 300-5 NBR BLASSBRAUN](#) [730233002](#) [GSSA 300-5 NBR BLASSBRAUN](#) [730310003](#) [GDSN 307-5 EPDM](#) [730312003](#) [GSSA 300-6 EPDM](#) [730801002](#) [GDM 3-7](#) [730843002](#) [GSA 200-4 NBR BLASSBRAUN](#) [731423002](#) [GM 207-3 NBR BLASSBRAUN](#) [731490002](#) [GSA 20-3 NBR BLASSBRAUN](#) [731531002](#) [GDM 3-16](#) [731532002](#) [GDM 3-19 VMQ CORAL RED](#) [731739004](#) [GDM 3-21 EPDM](#) [731740002](#) [GDM 3-17 MPQ RED](#) [731755004](#) [GM 207-7 EPDM](#) [731996506](#) [G 30 E 3 M](#) [732044000](#) [STASI 2](#) [732488002](#) [GDM 3011-7 GRAU](#) [733262002](#) [GSAZ 35/43 NBR SCHWARZ](#) [733264002](#) [GSAZ 40/62 NBR SCHWARZ](#) [733271004](#) [GMN 209-12 EPDM](#) [733273002](#) [GMN 209-3 NBR LIGHT BROWN](#) [733275002](#) [GSN 20-3 NBR](#) [733383021](#) [RBC 162/1](#) [733384021](#) [RSC 162/1](#) [733415002](#) [G 30 E-2](#) [733818002](#) [CM 02 D 20](#) [733877001](#) [ELST-M PG9](#) [733973002](#) [GSE2000-2NBR](#) [734032001](#) [734363001](#) [GDM 3011 RF-1](#) [735677003](#) [FLACHDICHTUNG GDMF NBR SW](#) [735677004](#) [FLACHDICHTUNG GDMF EPDM BN](#) [831530400](#) [CA 00 SD 1](#) [831532400](#) [CA 00 SD 3](#) [831620100](#) [CM 02 SD 14S](#) [831621100](#) [CM 06 SD 14S](#) [831766100](#) [CM 02 SD 20](#) [831767100](#) [CM 06 SD 20](#) [831824001](#) [GDME LG 230](#) [831832001](#) [GDME GB 1](#) [831873001](#) [GDME LED 24 HH YE](#) [930009200](#) [MAB 4](#) [930016517](#) [MAS 50](#) [930046100](#) [930046101](#) [930047100](#) [930050000](#)