




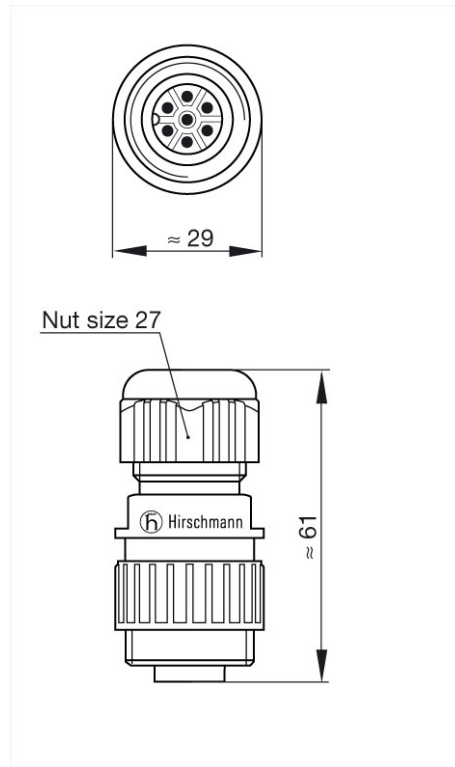
Product information CA 6 LS

Industrial Connecting Solutions: Circular Connectors: MIL, DIN, Universal Connectors: Signal and Power (CA series): Cable plug and panel-mounted connector: CA 6 LS

<https://www.e-catalog.beldensolutions.com:443/link/57078-24228-256281-256284-24359-24361-36077/en/conf/ui/state>

Name	CA 6 LS
	
	Straight cable plug, integrated strain relief
Delivery informations	
Availability	available
Product description	
Description	Straight cable plug, integrated strain relief
Type	CA 6 LS
Order No.	934 126-100
Number of contacts	6 + PE
Cable gland	M 22x2
Cable diameter	6 mm to 12 mm
Conductor size	max. 0.75 mm ²
Housing Color	black
Technical data	
Pin dimensions	1.5 mm
Rated voltage	AC/DC 250 V
Rated current	10 A AC/DC
Contact resistance	<= 5 mOhm
Type of termination	solder, concave pins
Material	
Contact surface material	Ag
Contact bearer material	PA 66-GF 25
Housing material	PA 66-GF 25
O-Ring	NBR
Environmental conditions	
Protection class (IEC 60529)	IP 67
Pollution severity	3
Temperature range	-40 °C to +90 °C
Inflammability class	
Flammability, UL standard	94 V-0
Approvals	
UL	UL
VDE	VDE
Packing unit	
Packaging unit	100 pieces
Scope of delivery and accessories	
Scope of delivery	1 cable plug, not assembled, assembly instructions
Accessories to order separately	can be plugged into CA 6 LD, CA 6 GD; cap CA 00 SD 1, order no. 831 530-400

Picture
Drawing



Belden Deutschland GmbH
Im Gewerbepark 2
58579 Schalksmühle
Germany
Phone: +49 7127/14-1806
E-Mail: icos-sales@belden.com

The information published in the websites has been compiled as carefully as possible. It is subject to alteration without notice in technical as well as in price-related/commercial respect. The complete information and data were available on user documentation. Mandatory information can only be obtained by a concrete query.

X-ON Electronics

Largest Supplier of Electrical and Electronic Components

Click to view similar products for [hirschmann](#) manufacturer:

Other Similar products are found below :

[931298001 GSP 211 PG11](#) [934828001 BRSCIS 4D/9](#) [930011200 MAB 6](#) [932326100 CA 6 GS](#) [G 30 KW 3 M](#) [831530400 CA 00 SD 1](#)
[934077105](#) [934066788](#) [934061103](#) [934059104](#) [930046100](#) [975090703](#) [943301-001](#) [934061704](#) [STAK2](#) [PRUEF1SW](#) [SPIDER-PL-20-](#)
[05T1999999TZ9HHHH](#) [BAT867-RUSW99AU999AT199L999ZHX](#) [930136106](#) [930317804](#) [934066105](#) [934076103](#) [934086104](#) [934086188](#)
[973929000](#) [934157101](#) [934077106](#) [934064104](#) [932794001](#) [973601101](#) [GECKO 4TX](#) [972309101](#) [934100707](#) [975455709](#) [975455701](#)
[973528101](#) [931297006](#) [MESAP 43650](#) [932140100](#) [STAK 3 N SCHWARZ](#) [932507005](#) [XZC 0704](#) [975694707](#) [MLSWG100/2.5RT](#) [BAT867-](#)
[RUSW99CU999AT199L999ZHX](#) [934081100](#) [934089101](#) [934090100](#) [973929001](#) [975017701](#) [975106101](#) [934157100](#)