




Product information ELST 412 PG9 Sn

Industrial Connecting Solutions:Archive - Industrial Connectors:Circular Connectors E-series M12 / M12 push-pull (Archive):with screw locking:Appliance connector for front panel - front panel mounting:ELST 412 PG9 Sn

<https://e-catalog.hirschmann.com:443/link/57078-24228-62529-24256-24257-24276-36842/en/conf/ui/state>

Name	ELST 412 PG9 Sn
	
	Appliance connector, with wire ends, PG 9 front mounting thread, screw locking, O-ring included
Delivery informations	
Availability	available
Product description	
Description	Appliance connector, with wire ends, PG 9 front mounting thread, screw locking, O-ring included
Type	ELST 412 PG9 Sn
Order No.	932 916-206
Type of contact	male
Number of contacts	4
Cable material	PVC
Cable length	0.2 m
Conductor size	0.34 mm ²
Standard	IEC 61076-2-101 (Ed. 1)/ IEC 60947-5-2
Housing Color	metallic
Technical data	
Pin dimensions	1 mm
Wire stranding	7 x 0.25 mm
Rated voltage	AC/DC 250 V
Rated current	4 A
Material	
Contact material	Cu Zn
Contact surface material	Sn
Contact bearer material	PA
Housing material	Cu Zn/Ni
O-Ring	NBR
Environmental conditions	
Protection class (IEC 60529)	IP 67
Pollution severity	3
Temperature range	-25 °C to +90 °C
Inflammability class	
Contact bearer	94 V-2
Approvals	
UL	UL
Packing unit	
Packaging unit	100 pieces
Scope of delivery and accessories	
Accessories to order separately	fastening nut ELST M PG9, order no. 733 877-001



HIRSCHMANN

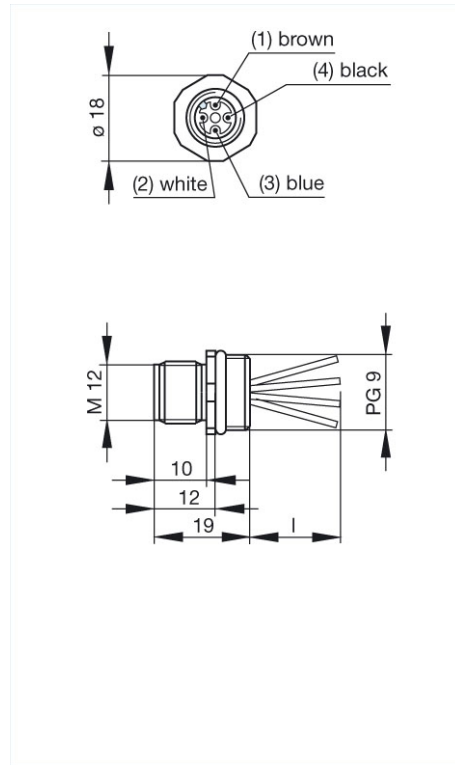
A BELDEN BRAND

Industrial Connecting Solutions:Archive - Industrial Connectors:Circular Connectors E-series M12 / M12 push-pull (Archive):with screw locking:Appliance connector for front panel - front panel mounting:ELST 412 PG9 Sn

<https://e-catalog.hirschmann.com:443/link/57078-24228-62529-24256-24257-24276-36842/en/conf/uistate>

Picture

Drawing



Belden Deutschland GmbH

Im Gewerbepark 2
58579 Schalksmühle
Germany
Phone: +49 7127/14-1806
E-Mail: icos-sales@belden.com

The information published in the websites has been compiled as carefully as possible. It is subject to alteration without notice in technical as well as in price-related/commercial respect. The complete information and data were available on user documentation. Mandatory information can only be obtained by a concrete query.

X-ON Electronics

Largest Supplier of Electrical and Electronic Components

Click to view similar products for [hirschmann](#) manufacturer:

Other Similar products are found below :

[931298001 GSP 211 PG11](#) [934828001 BRSCIS 4D/9](#) [930011200 MAB 6](#) [932326100 CA 6 GS](#) [G 30 KW 3 M](#) [831530400 CA 00 SD 1](#)
[934077105](#) [934066788](#) [934061103](#) [934059104](#) [930046100](#) [975090703](#) [943301-001](#) [934061704](#) [STAK2](#) [PRUEF1SW](#) [SPIDER-PL-20-](#)
[05T1999999TZ9HHHH](#) [BAT867-RUSW99AU999AT199L999ZHX](#) [930136106](#) [930317804](#) [934066105](#) [934076103](#) [934086104](#) [934086188](#)
[973929000](#) [934157101](#) [934077106](#) [934064104](#) [932794001](#) [973601101](#) [GECKO 4TX](#) [972309101](#) [934100707](#) [975455709](#) [975455701](#)
[973528101](#) [931297006](#) [MESAP 43650](#) [932140100](#) [STAK 3 N SCHWARZ](#) [932507005](#) [XZC 0704](#) [975694707](#) [MLSWG100/2.5RT](#) [BAT867-](#)
[RUSW99CU999AT199L999ZHX](#) [934081100](#) [934089101](#) [934090100](#) [973929001](#) [975017701](#) [975106101](#) [934157100](#)