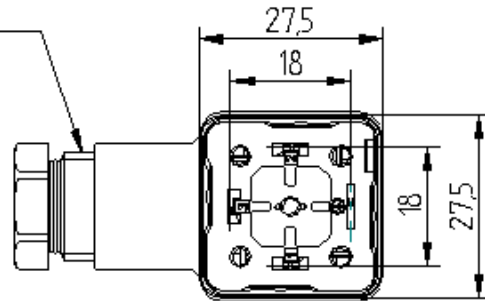
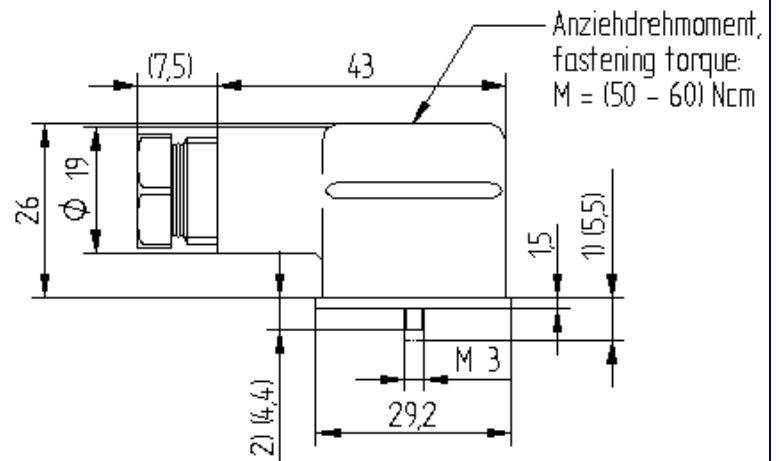




Verschraubung, cable gland M16x15
Anziehdrehmoment, fastening torque:
M = 150 - 250 Ncm

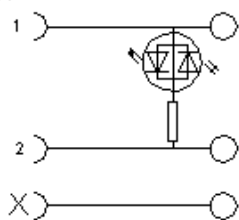


- 1) In montiertem Zustand Dichtlippe gepresst.
When mounted, sealing pressed.
- 2) Im Lieferzustand Dichtlippe nicht gepresst.
In delivery condition sealing lip not pressed.

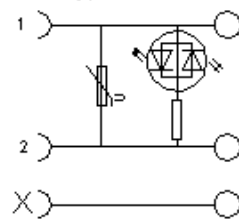


Beschaltungstypen

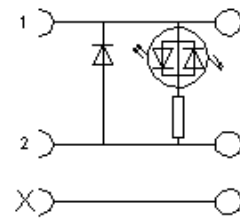
Type DB/DC/DE



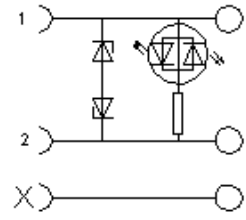
Type DR/DL



Type DG



Type DF



The information/details in this datasheet merely contain general descriptions or performance factors which, when applied in an actual situation, do not always correspond with the described form, and may be amended by way of the further development of products. The desired performance factors shall only be binding if these are expressly agreed on conclusion of the contract.

Product description

Description	Cable socket angled
Type	GDMF
Order No	934-618-...
Type of contacts	female
Number of contacts	2+PE / 3+PE
Cable gland	M16x1,5
Strain-relief	acc. Table Standard products
Conductor size	0,34 - 1,5mm ² without PCB
Conductor size	0,34 - 0,75mm ² with PCB
Standard	DIN EN 175301-803
Construction type	A

Description of wiring

function indicator	10A 24V AC/DC
function indicator	10A 120V AC/DC
function indicator	10A 250V AC/DC
protective circuit	Suppressor Diode 8A 24V AC/DC
Line filter	Freilauf Diode 1A(3A bis 90 °C) 24V DC
protective circuit	Varistor 8A 120V AC/DC
protective circuit	Varistor 8A 250V AC/DC

Technical data

Clearance / Creepage distance	EN 60664-1 (2003/11); VDE 0110-1
Rated voltage	24 to 250V acc. Table Standard products
Rated current *	1 A to 16 A acc. Table Standard products
Rated impulse voltage	4,0 kV
Pollution degree	3
Type of termination	Screw
Contact durability	max. 50
Suitable cables	Ø4mm - Ø8mm for Types widout strain-relief
Suitable cables	Ø4mm - Ø6,7mm for Types wid strain-relief
Mounting	Central screw M 3

* Notice derating

Materials

Contact	CuZn
Contact surface	Cu/Sn
Contact bearer	PA 66 GF
Housing	PA 66 GF / PA6 GF
Central screw	4.8 , Fe/Zn B
Gasket(s)	SBR/NBR, cable gland standard types
Gasket(s)	EPDM, cable gland UL-types
Gasket(s)	SBR/NBR, Flat gasket standard types
Gasket(s)	EPDM, Flat gasket UL-types

Environmental conditions

Protection class (IEC 60529) *	IP65 /-40 °C bis +90 °C for Types without strain-relief(standard)
Protection class (IEC 60529) *	IP65/-40 °C bis +125 °C for Types with strain-relief
Protection class (IEC 60529) *	IP67/-40 °C bis +90 °C for Types with strain-relief
Temperature range (connector)	-40 °C bis +125 °C short-dated
Temperature range (connector)	-25 °C bis +90 °C Types without PCB continual
Temperature range (connector)	-25 °C bis +85 °C Types with PCB continual

* only if mounted and locked and in combination with Hirschmann connector

Inflammability class

Housing	UL 94 V-0 (-010/-011) / HB
Contact bearer	UL 94 V-0

Approvals

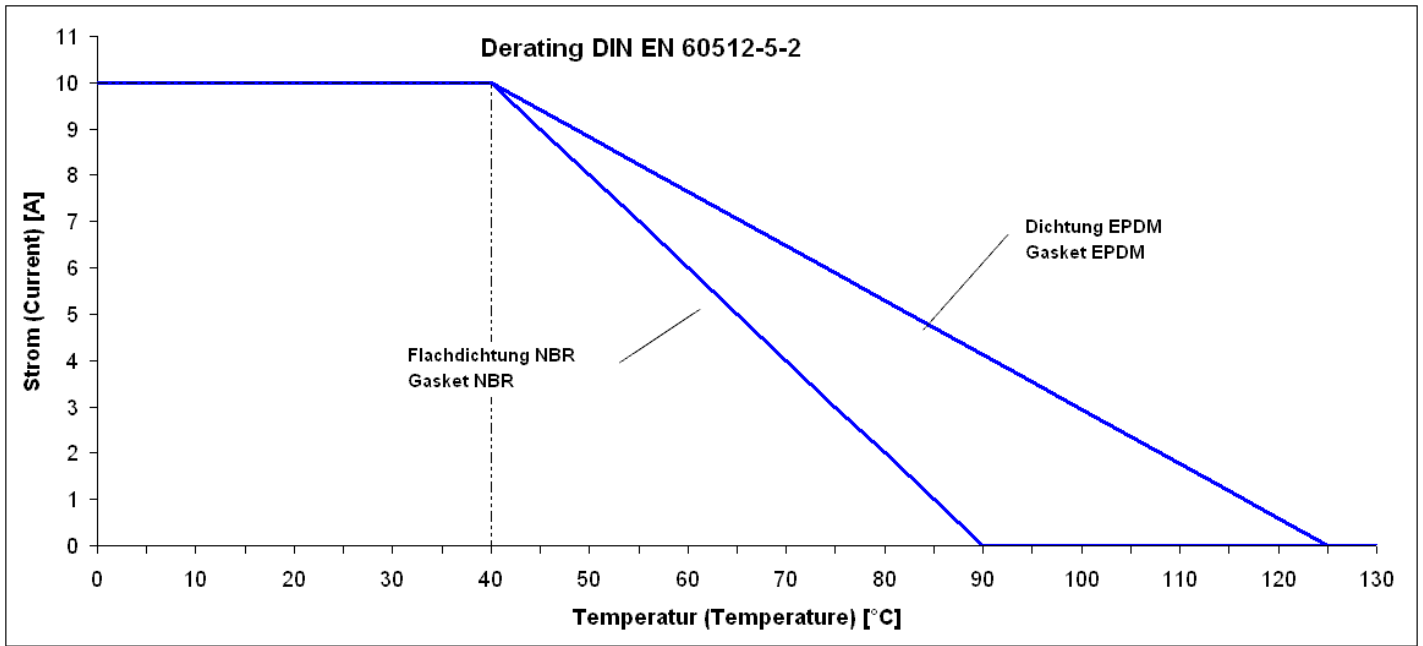
VDE	in preparation
UL	in preparation (-010/-011)

Accessories**Additional technical data**

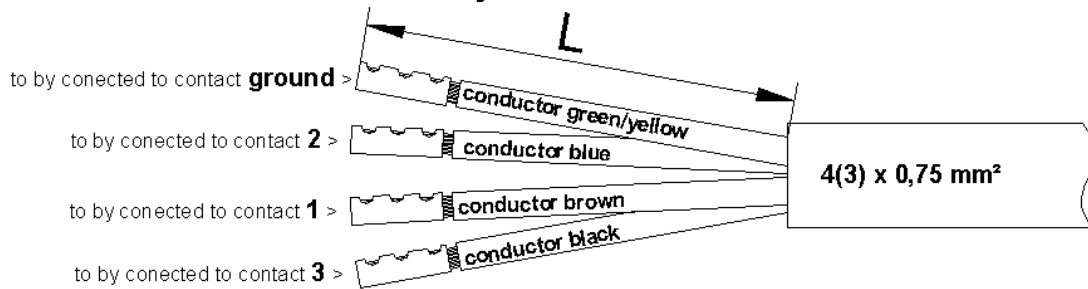
Fastening torque (coupling screw)	M 3: (50-60) Ncm
Fastening torque (cable gland)	M 16x1,5: (150-250) Ncm
Fastening torque (contact screw)	M 3: (40-50) Ncm

Cutline

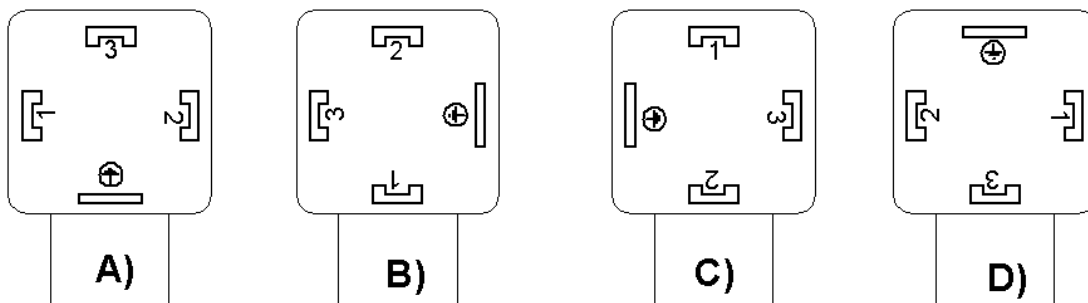
Do not connect or disconnect under load.



Assembly instruction



	Cable exit side to:			
	A) contact ground	B) contact 1	C) contact 2	D) contact 3
conductor green/yellow	L=17mm/0,65inch	L=32mm/1,25inch	L=20mm/0,8inch	L=32mm/1,25inch
conductor brown	L=20mm/0,8inch	L=17mm/0,65inch	L=32mm/1,25inch	L=32mm/1,25inch
conductor blue	L=32mm/1,25inch	L=32mm/1,25inch	L=17mm/0,65inch	L=20mm/0,8inch
conductor black	L=32mm/1,25inch	L=20mm/0,8inch	L=32mm/1,25inch	L=17mm/0,65inch



Standard products

Artikel-No.	Type	Description of wiring	Cable gland
934-618-001	GDMF 2016 DAAA	2+PE/10A250V AC/DC	M16x1,5
934-618-002	GDMF 3016 DAAA	3+PE/10A250V AC/DC	M16x1,5
934-618-003	GDMF 2016 DBAA	LED/8A24V AC/DC	M16x1,5
934-618-004	GDMF 2016 DCAA	LED/8A120V ACDC	M16x1,5
934-618-005	GDMF 2016 DEAA	LED/8A250V AC/DC	M16x1,5
934-618-006	GDMF 2016 DFAA	Suppr.+LED/24V AC/DC	M16x1,5
934-618-007	GDMF 2016 DGAA	Freil.+LED/1A24V DC	M16x1,5
934-618-008	GDMF 2016 DLAA	ar.+LED/8A250V AC/D	M16x1,5
934-618-009	GDMF 2016 DRAA	ar.+LED/8A120V AC/D	M16x1,5
934-618-010	GDMF 2116 DAAA	2+PE/10A250V AC/DC	M16x1,5 mit Zugentl.
934-618-011	GDMF 3116 DAAA	3+PE/10A250V AC/DC	M16x1,5 mit Zugentl.

X-ON Electronics

Largest Supplier of Electrical and Electronic Components

Click to view similar products for [hirschmann](#) manufacturer:

Other Similar products are found below :

[931298001 GSP 211 PG11](#) [934828001 BRSCIS 4D/9](#) [AK2B2540I SW](#) [BUELA300KSW](#) [BUELA30KBL](#) [BUELA30KGE](#) [930011200 MAB 6](#)
[933116100 GSSA 300](#) [AK2BSW](#) [G 30 KW 3 M](#) [BNC-AL0.64](#) [BUELA300KBL](#) [BUELA300KRT](#) [BUELA30KGN](#) [BUELA30KRT](#)
[934066788](#) [934061103](#) [934059104](#) [972425002](#) [943301-001](#) [934061704](#) [STAK2](#) [AK2B2540I GN](#) [PRUEF1SW](#) [SPIDER-PL-20-](#)
[05T1999999TZ9HHHH](#) [BAT867-RUSW99AU999AT199L999ZHX](#) [930136106](#) [930317804](#) [934066105](#) [934072100](#) [934076103](#) [934086104](#)
[934086188](#) [973929000](#) [934157101](#) [930014517 MAS 30](#) [934077106](#) [934077105](#) [934064104](#) [932794001](#) [GECKO 4TX](#) [972309101](#)
[934100707](#) [975695700](#) [975455709](#) [975455701](#) [973528101](#) [MESAP 43650](#) [KLEPS1600SW](#) [932140100 STAK 3 N SCHWARZ](#)