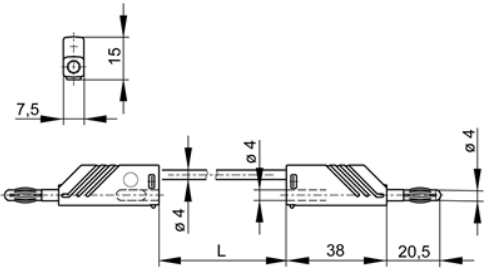
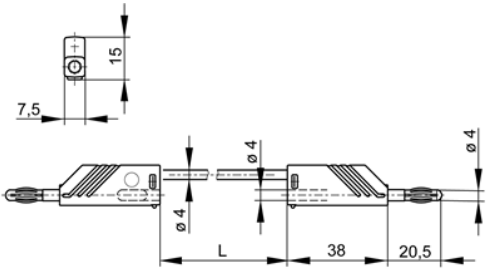


datasheet for MLN SIL 100/1
 article number: 934092100



product description:	order number: 934 092-100
description:	Measuring lead, at either end 4 mm diameter plug with caged spring and 4 mm diameter socket for tower construction. Nickel-plated copper beryllium contact spring. Highly flexible, double insulated stranded lead, grip and lead shatter-proof. Built in colour indicator for easy identification of insulation damages.
typ:	MLN SIL 100/1 schwarz/black
system:	4mm system
order number:	934 092-100
color	●
other color versions:	●●●●●
technical data	
measurement category acc. to IEC 61010:	CAT I
pin dimensions	4 mm
type of contact:	pin (spring loaded)
cable type:	LEH-XY
cable specification:	most flexible lead, high temperature resistant
wire stranding:	259 x 0.07 mm
rated voltage:	30 VAC / 60 VDC
rated current:	16 A
Please consider derating curve!	
contact resistance:	22 mOhm
cable length:	100 cm
conductor size:	1 mm ²
cable material:	silicone
cable color:	black
material	
contact material:	contact pin: brass contact spring: copper - beryllium
contact surface material:	nickel
housing material:	PA
environmental conditions:	
temperature range:	-15 °C to +70 °C

inflammable class:	
housing (basic material):	UL 94 V - 2
drawing	



X-ON Electronics

Largest Supplier of Electrical and Electronic Components

Click to view similar products for [Control Switches](#) category:

Click to view products by [Hirschmann](#) manufacturer:

Other Similar products are found below :

[80887-99](#) [80932-99](#) [86855-00](#) [88814-30](#) [1424293-1](#) [HW4S-2TC10](#) [89721-12](#) [89804-08](#) [SSN](#) [RL01801](#) [ASD2L20N-LVO](#) [50051857-17](#)
[50099156-001-05](#) [51.155R-15200](#) [50058920-26](#) [CP-FA51](#) [CP-FA49](#) [ACCU-SC/L-3000](#) [PP9M](#) [PP87G](#) [PP86GA](#) [PP71G](#) [PP70G](#) [PP6G](#)
[PP62G](#) [PP58BL](#) [PP56G](#) [PP86GB](#) [PP77GA](#) [PP76G](#) [PP4M](#) [PP47G](#) [PP46G](#) [PP41M](#) [PP40G](#) [PP32G](#) [RD-20](#) [PP23M](#) [PP12G](#) [PORTAPRO](#)
[POM-2708](#) [PNB-2005](#) [3057.0012](#) [CV-075](#) [CV-140SB](#) [CV-150](#) [CV-150S](#) [214X20XK](#) [CV-180](#) [CV-200MB](#)