




## Product information N6R AM

Industrial Connecting Solutions: Circular Connectors: MIL, DIN, Universal Connectors: DIN 43651 Connectors (NR series): Panel-mounted connector: N6R AM

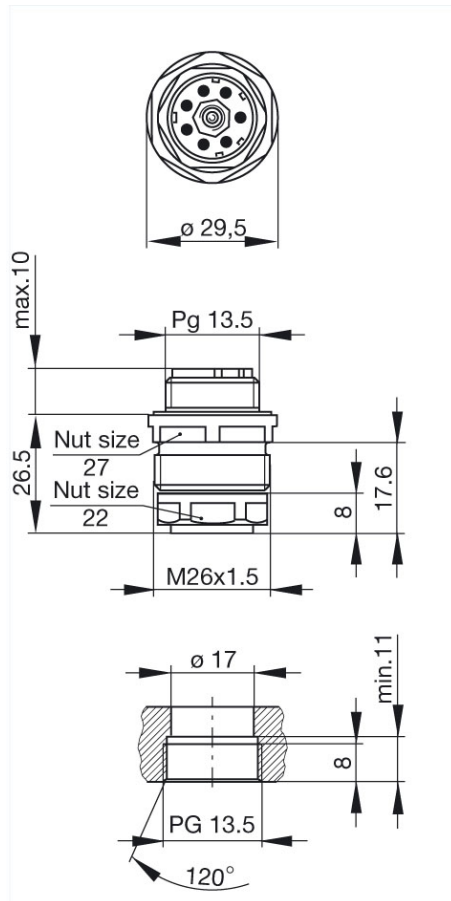
<https://www.e-catalog.beldensolutions.com:443/link/57078-24228-256281-256284-24367-24372-36241/en/conf/uisstate>

Name	N6R AM
	
	Panel-mounted connector with metal screw-in casing
<b>Delivery informations</b>	
Availability	available
<b>Product description</b>	
Description	Panel-mounted connector with metal screw-in casing
Type	N6R AM
Order No.	931 434-001
Type of contact	male
Number of contacts	6 + PE
Conductor size	max. 1.5 mm <sup>2</sup>
Standard	DIN 43651
Housing Color	grey
<b>Technical data</b>	
Pin dimensions	1.6 mm
Rated voltage	AC/DC 250 V
Rated current	10 A
Contact resistance	<= 5 mOhm
Type of termination	crimp
Suitable cables	0.5 mm <sup>2</sup> to 1.5 mm <sup>2</sup>
Mounting	PG 13,5
<b>Material</b>	
Contact surface material	Ag
Contact bearer material	PET
Housing material	PET
<b>Environmental conditions</b>	
Protection class (IEC 60529)	IP 65
Temperature range	-40 °C to +90 °C
<b>Packing unit</b>	
Packaging unit	10 pieces
<b>Scope of delivery and accessories</b>	
Scope of delivery	1 panel-mounted connector, not assembled, in polythene bag with assembly instructions
Accessories to order separately	can be plugged into N6R FF, N6R FF R, N6R EF; coding NC 6, order no. 831 002-011 protective cover SHK 2, order no. 733 845-001, contacts: RSC 162



Picture

Drawing



**Belden Deutschland GmbH**

Im Gewerbepark 2  
58579 Schalksmühle  
Germany  
Phone: +49 7127/14-1806  
E-Mail: [icos-sales@belden.com](mailto:icos-sales@belden.com)

The information published in the websites has been compiled as carefully as possible. It is subject to alteration without notice in technical as well as in price-related/commercial respect. The complete information and data were available on user documentation. Mandatory information can only be obtained by a concrete query.

## X-ON Electronics

Largest Supplier of Electrical and Electronic Components

*Click to view similar products for [Sensor Cables / Actuator Cables](#) category:*

*Click to view products by [Hirschmann](#) manufacturer:*

Other Similar products are found below :

[60963](#) [60964](#) [703000D02F2002](#) [703001D02F0602](#) [703001D02F1201](#) [703001D02F300](#) [704000D02F120](#) [MDM21SH001F](#) [773032K02F030](#)  
[802027107404-1](#) [802027213811-1](#) [804001A09M150](#) [805001A09M0502](#) [84914-0235](#) [84914-0237](#) [885030A09M010](#) [8R4006A18M010](#)  
[8R4J30E03C3003](#) [1200651713](#) [1200660844](#) [1200660845](#) [1200661173](#) [1200680071](#) [1200720053](#) [1200720081](#) [1200720094](#) [1200720099](#)  
[1200720217](#) [1200800231](#) [1200860125](#) [1200870123](#) [1200660183](#) [1200660782](#) [1200660849](#) [1200661295](#) [1200661297](#) [1200661342](#)  
[1200661343](#) [1200670080](#) [1200680331](#) [1200720252](#) [1200720255](#) [1200720597](#) [1200730184](#) [1200860344](#) [1200870359](#) [1200870643](#)  
[1200980008](#) [1200980031](#) [1210502211](#)