

SPIDER TX
THE SUPERSAVER MENU*
FROM HIRSCHMANN.

**4TX/
1FX**
*ALSO WITH
FIBER PORT
ON REQUEST

8TX

5TX



Low-cost port expansion underpinned
by Hirschmann quality:

The new SPIDER family.

- Entry-level industrial switches at office prices
- Expandable to 8 ports
- 4TX/1FX with fiber port
- Compact design, DIN Rail compatible
- Plug & Play, 24 V DC and IP 30 protection



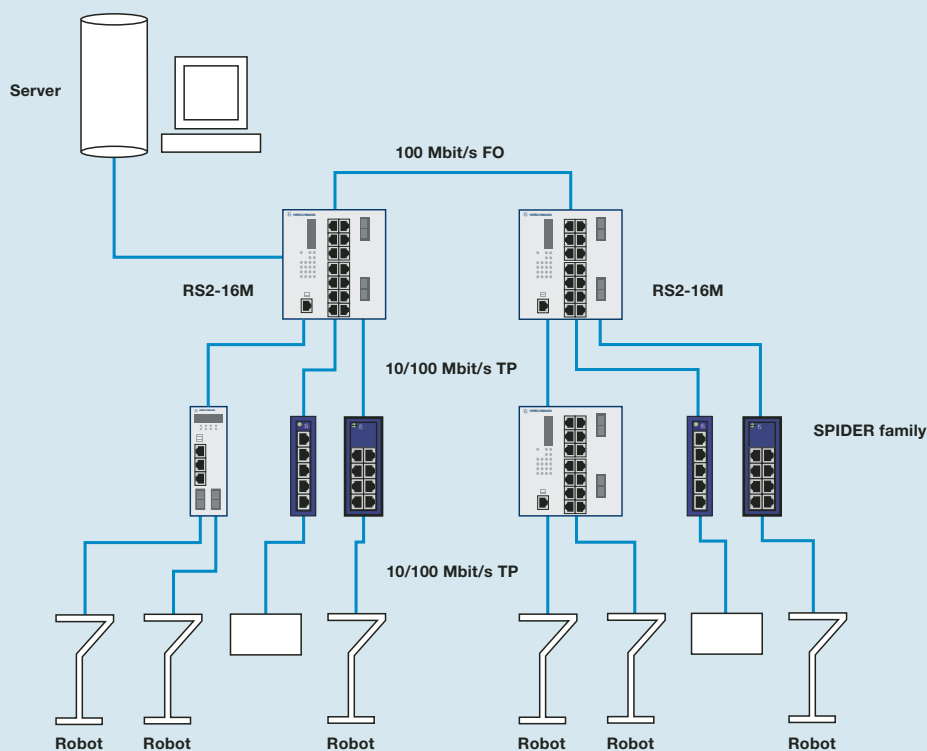
HIRSCHMANN

Hirschmann is now serving supersaver switches for every taste: the SPIDER family.

Applications

The SPIDER family can be used in Industrial ETHERNET wherever terminals need to be implemented using a star or linear structure – or where a low-cost port expansion is required by managed systems or large networks. Use on process lines, in engineering or in plant manufacture, such as printing machinery. The

SPIDER 4TX/1FX features a fiber port for interference-free data transfer even over longer distances or in the toughest electrical conditions, such as directly mounted on powerful motors and other components, or parallel with power cables.



Product features

Extremely light and compact in design, the SPIDER family of switches can be mounted on DIN rails and meets all the requirements for problem-free deployment in industrial environments: IP 30 protection

with shock, vibration and temperature resistance, handling-friendly Plug & Play based on autonegotiation, autocrossing and autopolarity, and 24 V operation.

For the whole SPIDER family

Mechanical stability	
IEC 60068-2-27 shock	15 g, 11 ms duration, 18 shocks
IEC 60068-2-6 vibration	3.5 mm, 3 Hz–9 Hz, 10 cycles, 1 octave/min.; 1 g, 9 Hz–150 Hz, 10 cycles, 1 octave/min.
EMC interference immunity	
EN 61000-4-2 electrostatic discharge (ESD)	6 kV contact discharge, 8 kV air discharge
EN 61000-4-3 electromagnetic field	10 V/m (80–1000 MHz)
EN 61000-4-4 fast transients (burst)	2 kV power line, 4 kV data line
EN 61000-4-5 surge voltage	power line: 2 kV (line/earth), 1 kV (line/line), 1 kV data line
EN 61000-4-6 conducted immunity	10 V (150 kHz–80 kHz)
EMC emitted immunity	
FCC CFR47 Part 15	FCC CFR47 Part 15 Class A
EN 55022	EN 55022 Class A
Approvals	
Safety of industrial control equipment	cUL 508 (E175531)
Scope of delivery and accessories	
Scope of delivery	device, terminal block, operating manual
Accessories to order separately	Rail power supply RPS 30, RPS 60 or RPS 120, 19" installation frame
Service	Training, Support

Facts and figures SPIDER 5TX

Product description	
Description	Entry Level Industrial ETHERNET Rail Switch, store and forward switching mode, ETHERNET (10 Mbit/s) and Fast-ETHERNET (100 Mbit/s)
Port type and quantity	5 x 10/100Base-TX, TP cable, RJ 45 sockets, auto-crossing, auto-negotiation, auto-polarity
Type	SPIDER 5TX
Order No.	943 824-002
More interfaces	
Power supply/signaling contact	1 plug-in terminal block, 3-pin/no signal contact
Network size – length of cable	
Twisted pair (TP)	0–100 m
Network size – cascading	
Line-/star topology	any
Power requirements	
Operating voltage	9.6 V DC – 32 V DC
Current consumption at 24 V DC	max. 100 mA
Service	
Diagnostics	LEDs (power, link status, data, data rate)
Ambient conditions	
Operating temperature	0 °C to +60 °C
Storage/transport temperature	–40 °C to +70 °C
Relative humidity (non-condensing)	10 % to 95 %
Mechanical construction	
Dimensions (W x H x D)	25 mm x 114 mm x 79 mm
Mounting	DIN Rail 35 mm
Weight	113 g
Protection class	IP 30



As full-spec industrial switches, the SPIDER models offer impressive performance in tough practical applications, such as on printing machines, thanks to their shock, vibration and temperature resistance.



In engineering and plant manufacture, low-cost port expansion and terminal connection to Industrial ETHERNET is often key.

Facts and figures SPIDER 8TX

Product description	
Description	Entry Level Industrial ETHERNET Rail Switch, store and forward switching mode, ETHERNET (10 Mbit/s) and Fast-ETHERNET (100 Mbit/s)
Port type and quantity	8 x 10/100Base-TX, TP cable, RJ45 sockets, auto-crossing, auto-negotiation, auto-polarity
Type	SPIDER 8TX
Order No.	943 376-001
More Interfaces	
Power supply/signaling contact	1 plug-in terminal block, 3-pin/no signal contact
Network size – length of cable	
Twisted pair (TP)	0 – 100 m
Network size – cascading	
Line-/star topology	any
Power requirements	
Operating voltage	9.6 V DC – 32 V DC
Current consumption at 24 V DC	max. 160 mA
Service	
Diagnostics	LEDs (power, link status, data, data rate)
Ambient conditions	
Operating temperature	0 °C to +60 °C
Storage/transport temperature	-40 °C to +70 °C
Relative humidity (non-condensing)	10 % to 95 %
Mechanical construction	
Dimensions (W x H x D)	40 mm x 114 mm x 79 mm
Mounting	DIN Rail 35 mm
Weight	177 g
Protection class	IP 30

Facts and figures SPIDER 4TX/1FX

Product description	
Description	Entry Level Industrial ETHERNET Rail Switch, store and forward switching mode, ETHERNET (10 Mbit/s) and Fast-ETHERNET (100 Mbit/s)
Port type and quantity	4 x 10/100Base-TX, TP cable, RJ45 sockets, auto-crossing, auto-negotiation, auto-polarity 1 x 100BASE-FX, MM cables, SC sockets
Type	SPIDER 4TX/1FX
Order No.	943 221-001
More Interfaces	
Power supply/signaling contact	1 plug-in terminal block, 3-pin/no signal contact
Network size – length of cable	
Twisted pair (TP)	0 – 100 m
Multimode fiber (MM) 50/125 µm	0 – 5000 m, 8 dB link budget at 1300 nm, A = 1 dB/km, 3 dB reserve, B = 800 MHz x km
Multimode fiber (MM) 62.5/125 µm	0 – 4000 m, 11 dB link budget at 1300 nm, A = 1 dB/km, 3 dB reserve, B = 500 MHz x km
Network size – cascading	
Line-/star topology	any
Power requirements	
Operating voltage	9.6 V DC – 32 V DC
Current consumption at 24 V DC	max. 150 mA
Service	
Diagnostics	LEDs (power, link status, data, data rate)
Ambient conditions	
Operating temperature	0 °C to +60 °C
Storage/transport temperature	-40 °C to +70 °C
Relative humidity (non-condensing)	10 % to 95 %
Mechanical construction	
Dimensions (W x H x D)	25 mm x 114 mm x 79 mm
Mounting	DIN Rail 35 mm
Weight	120 g
Protection class	IP 30

Save money on your network – but not the quality: the new SPIDER family.

SPIDER 4TX/1FX with four Twisted Pair ports plus one fiber port.

The SPIDER 8TX with eight 10/100 Mbit/s Twisted Pair ports for terminals or additional network segments.

The “tried and tested” SPIDER 5TX with five 10/100 Mbit/s Twisted Pair ports.



Requirements and Solutions

The SPIDER switches deliver all the basics for rugged deployment in the entry-level segment. Industrial ETHERNET sometimes demands simple solutions – such as quick connections to terminal devices. Redundancy or manageable rail switches are just too costly in these situations. So Hirschmann has now expanded the SPIDER 5TX into a complete family. Presenting the new low-cost SPIDER 8TX and SPIDER 4TX/1FX – Industrial ETHERNET connection

for 10 Mbit/s and 100 Mbit/s. The 8TX now offers more flexibility with 8 ports, and the 4TX/1FX provides fiber-optic connections based on its fiber port – ideal for use in environments subject to electromagnetic interference.

Hirschmann's industrial applications give high levels of flexibility and the new SPIDER family ensures we can offer full-spec industrial switches at office port prices – underpinned by renowned Hirschmann quality.



HIRSCHMANN

Germany

Hirschmann Automation and Control GmbH
Stuttgarter Straße 45-51
D-72654 Neckartenzlingen
Postfach 1649
D-72606 Nürtingen
Tel. +49-71 27-14-14 80
Fax +49-71 27-14-14 95/- 14 96
E-mail: ans-hi-line@hirschmann.de
<http://www.hirschmann.com>

Switzerland

Hirschmann Electronics GmbH
Neckartenzlingen
Zweigniederlassung Uster
Seestrasse 16
CH-8610 Uster
Tel. +41-44-9 05 82 82
Fax +41-44-9 05 82 89
E-mail: ans_ch@hirschmann.ch

France

Hirschmann Electronics S.A.S.
2, rue des Charpentiers
F-95330 Domont
Tel. +33-1-39 35 01 00
Fax +33-1-39 35 01 02
E-mail: ans@hirschmann.fr

UK

Hirschmann Electronics Ltd.
4303 Waterside Centre
Solihull Parkway
Birmingham Business Park
Birmingham
West Midlands
B37 7YN
Tel. +44-121-3 29-50 00
Fax +44-121-3 29-50 01
E-mail: enquiry@hirschmann.co.uk

Netherlands

Hirschmann Electronics B.V.
Pampuslaan 170
1382 JS WEESP
Postbus 92
NL-1380 AB Weesp
Tel. +31-2 94-4 62-5 91
Fax +31-2 94-4 62-5 54
E-mail: ans@hirschmann.nl

Spain

Hirschmann Automation and Control S.L.
Calle Trespaderne, 29
Edificio Barajas I, 2a Planta
E-28042 Madrid
Tel. +34-91-746 17 30
Fax +34-91-746 17 35
E-mail: hes@hirschmann.es

USA

Hirschmann Electronics, Inc.
1665 Orchard Drive
Chambersburg, PA 1702
Tel. +1 717 263-76 55
Fax +1 717 263-78 45
E-mail: ans@hirschmann-usa.com

China

Hirschmann Electronics
Pte Ltd Shanghai Office
Room 828, Summit Center
1088 West Yan An Road
Shanghai 200052
P.R. China
Tel. +86-21-62 07-66 37
Fax +86-21-62 07-68 37
E-mail: info@hirschmann.sh.cn

Singapore

Hirschmann Electronics Pte. Ltd.
2 International Business Park #11-02/03
The Strategy Singapore 609930
Tel. +65-63 16 77 97
Fax +65-63 16 79 77
E-mail: info@hirschmann.com.sg

For all other countries please dial Tel. +49-71 27-14-16 20
Contact address see Hirschmann Germany.

"The information/details in this publication merely contain general descriptions or performance factors which, when applied in an actual situation, do not always correspond with the described form, and may be amended by way of the further development of products. The desired performance factors shall only be deemed binding if these are expressly agreed on conclusion of the contract."

X-ON Electronics

Largest Supplier of Electrical and Electronic Components

Click to view similar products for [hirschmann](#) manufacturer:

Other Similar products are found below :

[931298001 GSP 211 PG11](#) [934828001 BRSCIS 4D/9](#) [AK2B2540I SW](#) [BSB20KRT](#) [BUELA300KSW](#) [BUELA30KBL](#) [BUELA30KGE](#)
[930011200 MAB 6](#) [AK2BSW](#) [G 30 KW 3 M](#) [BNC-AL0.64](#) [BUELA300KBL](#) [BUELA300KRT](#) [BUELA30KGN](#) [BUELA30KRT](#) [934066788](#)
[934061103](#) [934059104](#) [972425002](#) [943301-001](#) [934061704](#) [STAK2](#) [AK2B2540I GN](#) [PRUEF1SW](#) [SPIDER-PL-20-05T1999999TZ9HHHH](#)
[BAT867-RUSW99AU999AT199L999ZHX](#) [930136106](#) [930317804](#) [934066105](#) [934072100](#) [934076103](#) [934086104](#) [934086188](#) [973929000](#)
[934157101](#) [930014517 MAS 30](#) [934077106](#) [934077105](#) [934064104](#) [932794001](#) [GECKO 4TX](#) [972309101](#) [934100707](#) [975695700](#)
[975455709](#) [975455701](#) [973528101](#) [MESAP 43650](#) [KLEPS1600SW](#) [932140100 STAK 3 N SCHWARZ](#)