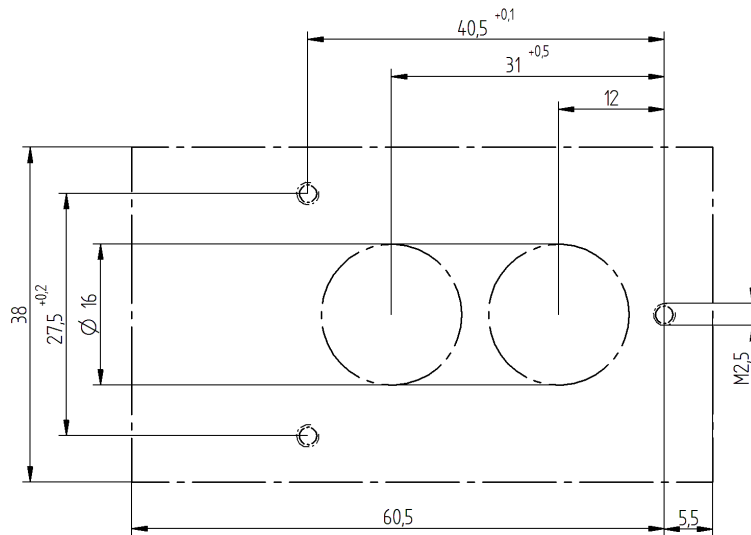
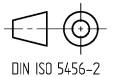


Montageausschnitt/  
Panel cutout



The information/details in this datasheet merely contain general descriptions or performance factors which, when applied in an actual situation, do not always correspond with the described form, and may be amended by way of the further development of products. The desired performance factors shall only be binding if these are expressly agreed on conclusion of the contract.



**Product description**

Description	panel jack - unmounted with enclosed contacts, sealing enclosed separately
Type	STAKAP 5
Order No	932-511-106
Type of contacts	female
Number of contacts	5+PE
Conductor size	max. 1,0 mm <sup>2</sup>
Standard	DIN EN 61984, IEC 60335
Color housing	grey
Color contact bearer	black

**Technical data**

Clearance / Creepage distance	DIN EN 60664-1 (2008/01); VDE 0110-1
Rated voltage	400V AC; 250V DC
Rated current *	6 A AC / 10 A DC
Pollution degree	3 acc. to DIN EN 60664-1 (VDE 0110-1)
Contact resistance	< 10 mOhm
Type of connection	crimp
Mounting	screw M 2,5

**Materials**

Contact bearer	PA 6.6 GF
Housing	PA 6 GF
Contact	CuZn
Contact plating	Cu/Sn
Fastening screw	4.8 , Fe/Zn B
Hexagon nut	A4, stainless steel
Gasket(s)	NBR, Flat gasket CR, Housing gasket

**Environmental conditions**

Protection class (IEC 60529) *	IP54
Temperature range (connector)	-30°C to +90°C, notice derating

\* only if mounted and locked in combination with Hirschmann / Lumberg connector.

**Flammability class**

Housing	UL 94 HB
Contact bearer	UL 94 V-0

**Approvals**

VDE	VDE-Reg.-Nr.: 1806
SEV	ESTI: 10.0329

**Accessories**

Scope of delivery	panel jack with gaskets
Mating connectors / fitting to	Plug of series STAS... 5
Accessories to order separately	STASI 3, 732-045-..., safety bracket

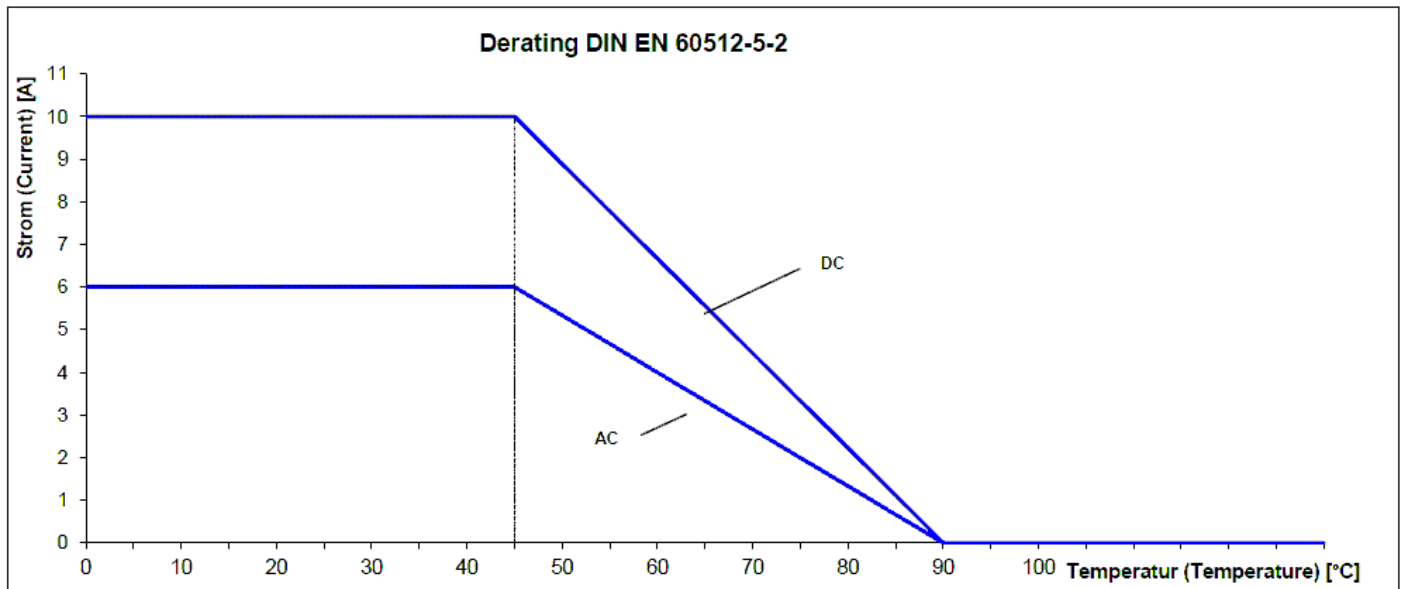
**Additional technical data**

Fastening torque (mounting screw)  
Fastening torque (contact screw)

BZ 2,9x14: (40-50) Ncm  
M 3: (40-50) Ncm

**Notes**

Do not connect or disconnect under load.



**product overview**

Article-No.	Type
932-511-106	STAKAP 5

## X-ON Electronics

Largest Supplier of Electrical and Electronic Components

*Click to view similar products for [Hirschmann](#) manufacturer:*

Other Similar products are found below :

[932792001](#) [972337002](#) [XWA164](#) [931824-102](#) [PRUEF1RT](#) [932507005](#) [XZC 0704](#) [934061109](#) [934084102](#) [934158101](#) [934174103](#)  
[972342001](#) [973369101](#) [LAS N WS AU GN](#) [N 6 R AM](#) [GMN 209 NJ BLACK](#) [STAS 4N GREY](#) [EAGLE40-2TX/1SFP](#) [934082101](#)  
[934069100](#) [934061702](#) [932430100](#) [GSAZ 300](#) [EAGLE40-2TX/1SFP-EEC](#) [934094103](#) [975695702](#) [972355107](#) [934075109](#) [934066103](#)  
[934080100](#) [934184100](#) [973929000](#) [975017700](#) [SLS 200 GN](#) [933003001](#) [934087107](#) [972338001](#) [931298006](#) [PRUEF2700RT](#) [938115101](#)  
[SEB 2600 G M4 GE](#) [PMS 2](#) [MICROSMDCLIP1](#) [PRUEF 2600 C2 RT](#) [934077105](#) [EF12M5FIX AU](#) [934093104](#) [972319101](#) [931297006](#)  
[934176101](#) [MLNSIL150/1RT](#) [934087102](#)