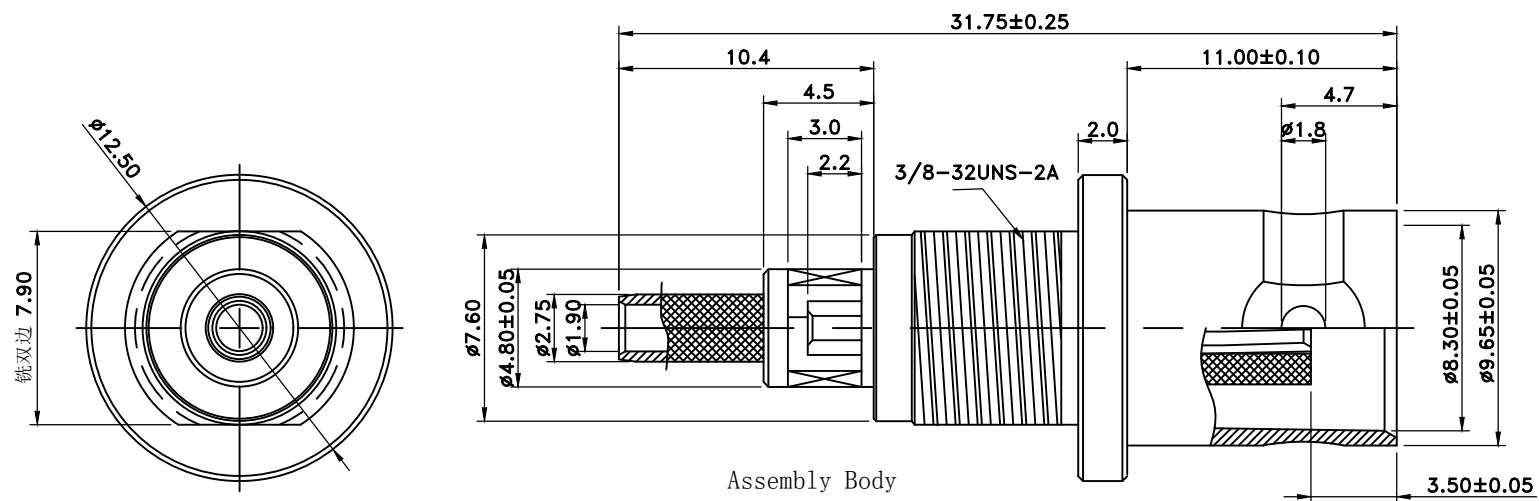
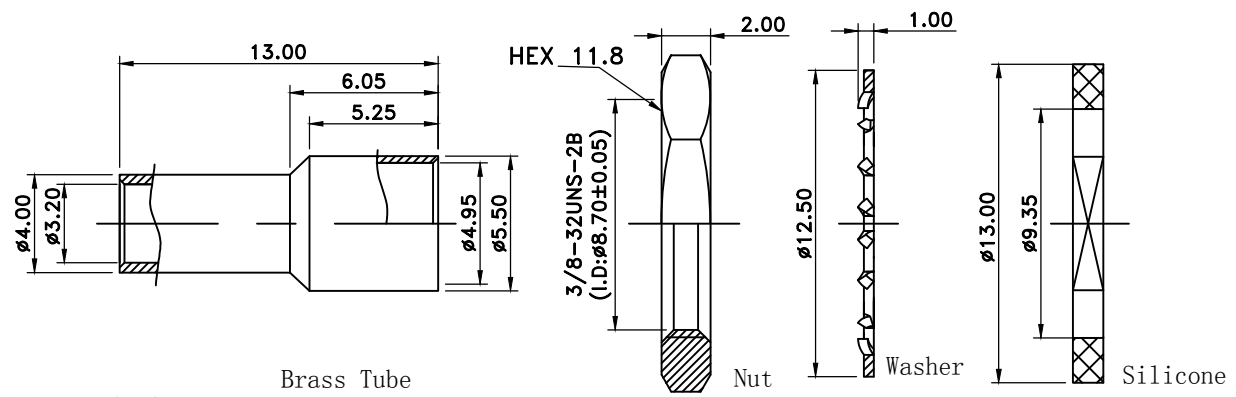


| | | | |
|----------|---------------|------------|---------|
| REVISION | DESCRIPTION | DATE | DRAFTER |
| A0 | FIRST RELEASE | 2019.07.13 | Mark |



Assembly Body



Brass Tube

Nut

Washer

Silicone

TNOE:
 Impedance: 50 Ohms
 Frequency Range: DC~3G
 VSWR: 1.3MAX
 Working Voltage: 15 watts continuous
 Insulation Resistance: 5000 Ohms min
 Temperature Range: -40°C TO +60°C
 Drawings products are in line with ROHS standards

| 装配BOM表 | 数量 | 品名 | 数量 | 材质 | 表面处理 |
|--------|----|-----|----|-------|-------------|
| 8 | 1 | 铜管 | 1 | C3602 | 镀镍80-120 μ" |
| 7 | 1 | 螺母 | 1 | C3604 | 镀镍80-120 μ" |
| 6 | 1 | 华司 | 1 | C3604 | 镀镍80-120 μ" |
| 5 | 1 | 硅胶圈 | 1 | 硅胶 | 红色 |
| 4 | 1 | 中心针 | 1 | 磷铜 | 镀金3 μ" |
| 3 | 1 | 挡圈 | 1 | C3604 | 镀镍80-120 μ" |
| 2 | 1 | 绝缘体 | 1 | PTFE | 洗净除油 |
| 1 | 1 | 本体 | 1 | C3604 | 镀镍80-120 μ" |

GENERAL TOLERANCE:
 LINEAR:
 X ±0.50
 X.X ±0.20
 X.XX ±0.10
 X.XXX ±0.05
 ANGLE:
 X° ±4.00°
 X.X° ±3.00°
 X.XX° ±2.00°
 X.XXX° ±1.00°

HJ-Tech 东莞市皇捷通讯科技有限公司

FILE NAME: PART DRAWING TITLE: 射频同轴连接器
 BNC JACK FOR RG316 CABLE, OD:12.5*L31.75mm,
 配硅胶圈, 华司, 2.0螺母

ENG/DATE: Mark/19.07.13
 CHE/DATE: P/N: 2LC08SF004

APP/DATE: UNIT: mm SCALE: 1:1 REVISION: A0 SHEET: 1/1

COMPLIANCE WITH THE REQUIREMENT: RoHS; HF; SONY SS-00259; OTHERS
 *NO USING ESTRICTED AND BANNED SUBSTANCE

X-ON Electronics

Largest Supplier of Electrical and Electronic Components

Click to view similar products for [RF Connectors](#) / [Coaxial Connectors](#) category:

Click to view products by [HJ Tech](#) manufacturer:

Other Similar products are found below :

[89674-0827](#) [6059674-1](#) [630059-000](#) [6501-1071-002](#) [6769](#) [7002-1541-010](#) [7002-1572-002](#) [7004-1512-000](#) [7009-1511-004](#) [7101-1541-010](#)
[7101-1571-002](#) [7105-1521-002](#) [7145-1521-002](#) [7203-1571-003](#) [7209-1511-011](#) [7210-1511-040](#) [7242-1511-000](#) [7405-1521-005](#) [7405-1521-](#)
[802](#) [804S01D04M040](#) [8527](#) [8547](#) [FS11V](#) [877931](#) [8808-1511-001](#) [9049-9513-000](#) [9074-9513-000](#) [PL11C-026](#) [PL40-36](#) [9408-1113-000](#)
[980-8666-005](#) [11 SMA-50-2-6 / 111 NE](#) [11 SMA-50-3-6 / 111 NE](#) [11 SMA-50-2-6/111 NH](#) [1-201144-1](#) [120919](#) [R107003010W](#) [R112186000](#)
[R113053000W](#) [R113082097](#) [R113236000](#) [R114083000](#) [R114670000W](#) [R123415000W](#) [R124072220W](#) [R124076320](#) [R124076450](#)
[R124175123](#) [R124176123W](#) [R125075000W](#)