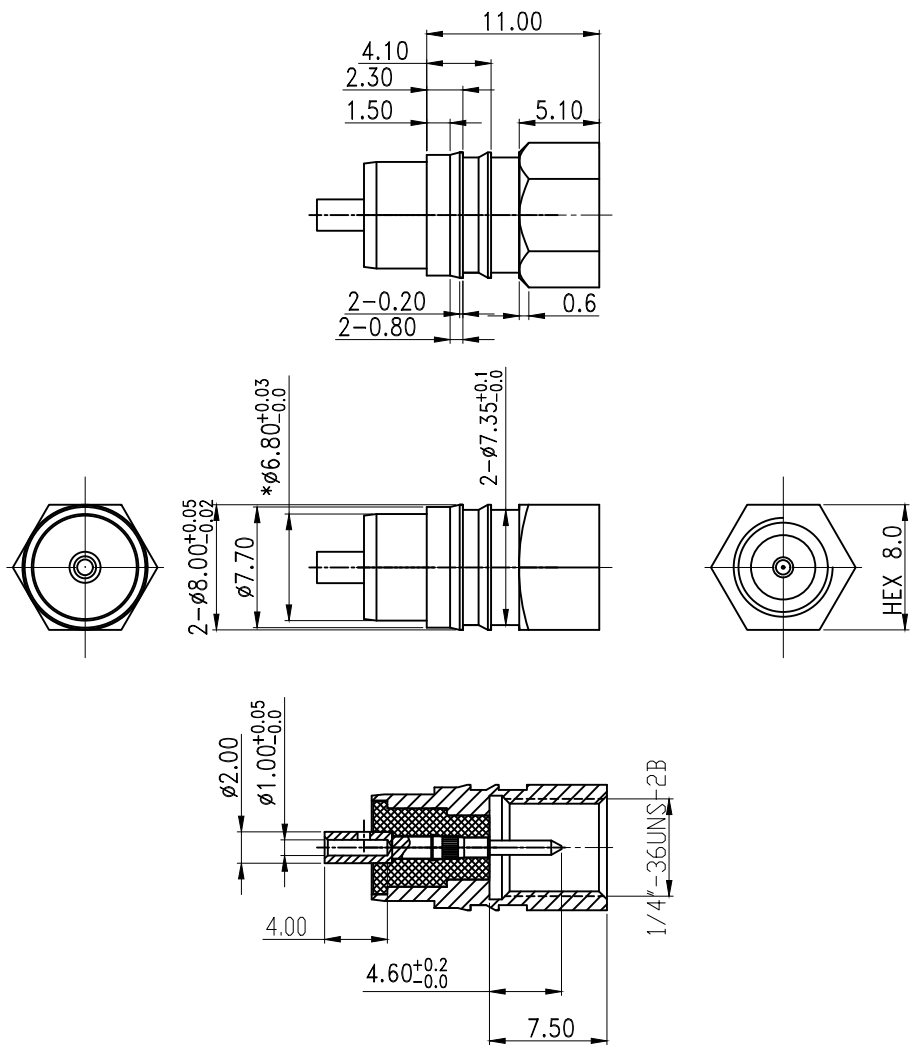


REVISION	DESCRIPTION	DATE	DRAFTER
A1	增加双槽, 改善保持力	18.03.27	Mark
A2	修改角度, 由15° 改为45°	18.04.16	Mark
A3	统一料号	18.11.29	Mark
A4	增加双槽位置尺寸检验, 变更结构	19.12.26	Mark
A5	修改双倒勾尺寸	20.03.03	Mark



NOTES:

1 ELECTRICAL SPECIFICATION:  
 1.1 NOMINAL IMPEDANCE: 50Ω;  
 1.2 OPERATED FREQUENCY: DC~6GHz;  
 1.3 V.S.W.R.: 1.3 MAX. @ DC~6GHz;

2 MECHANICAL SPECIFICATION:  
 2.1 CONTACT RETENTION: RADIAL TORQUE: 100gf-cm Min.;  
 AXIAL FORCE: 1Kgf Min.;

2.2 INSULATOR RETENTION: RADIAL TORQUE > CONTACT RADIAL RETENTION;  
 AXIAL FORCE > CONTACT AXIAL RETENTION;

2.3 MAIN BODY RETENTION: AXIAL FORCE: 7Kgf Min.;

2.4 CONNECTOR DURABILITY: 500 MATING CYCLES AT 12 CYCLES PER MINUTE Max.

3 ENVIRONMENTAL SPECIFICATION:  
 3.1 TEMPERATURE RANGE: -40°C TO +80°C;  
 3.2 STORAGE TEMPERATURE RANGE: -25°C TO +60°C;  
 3.3 CORROSION (SALT SPRAY): (35±2)°C,(90~95)%RH,(5±1)%48 HOURS;

4 OTHERS:  
 4.1 REMOVE ALL BURRS;  
 4.2 PIN HOLES DO NOT ACCEPT BLACKENING;  
 4.3 APPEARANCE IS NOT ACCEPTABLE FOR SCRATCHES ,BRUISES,OR DEFORMABLE ;  
 4.4 [\*] :FAI INSPECTION ITEM, ▲:KEY INSPECTION ITEMS , ★:CPK INSPECTION ITEMS;  
 4.5 ALL THE PARTS SHOULD BE COMPLIANT FOR RoHS.

4	BODY	BRASS, Ni-PLATED, 80u''~120u'' .	1
3	INSULATOR-2	PTFE, WHITE	1
2	INSULATOR-1	PTFE, WHITE	1
1	CENTER CONTACT	MALE, BRASS, Au-PLATED, 2u'' .	1
No.	PART NAME	SPECIFICATION DESCRIPTION	Q'TY

LINEAR	TOLE.	HJ-Tech 东莞市皇捷通讯科技有限公司			
X	±0.20	DWG No.: ---		TITLE: 射频连接器组件	
X.X	±0.10	DES.: WEIHAO.LIANG		DATE: 17.12.26	
X.XX	±0.05	CHE.: .		DATE: .	
X.XXX	±0.02	APP.: .		DATE: .	
ANGLE	TOLE.	FILE NAME: 零件图		P/N: 2LC15PM015	
X°	±4.00°	UNIT: mm		SCALE: 1:1	
X.X°	±3.00°	REV.: A5		SHEET: 1/1	
X.XX°	±2.00°				
X.XXX°	±1.00°				

COMPLIANCE WITH THE REQUIREMENT:  RoHS;  HF;  SONY SS-00259;  OTHERS  
 \*NO USING ESTRICTED AND BANNED SUBSTANCE

## X-ON Electronics

Largest Supplier of Electrical and Electronic Components

*Click to view similar products for [RF Connectors / Coaxial Connectors](#) category:*

*Click to view products by [HJ Tech](#) manufacturer:*

Other Similar products are found below :

[8915-1511-000](#) [89674-0827](#) [6002-7051-003](#) [6059674-1](#) [630059-000](#) [M39030/3-01N](#) [6501-1071-002](#) [6769](#) [7002-1572-002](#) [7003-1542-011](#)  
[7003-1572-002](#) [7004-1512-000](#) [7009-1511-004](#) [7101-1541-010](#) [7105-1521-002](#) [7145-1521-002](#) [7203-1571-003](#) [7209-1511-011](#) [7210-1511-](#)  
[040](#) [7242-1511-000](#) [73216-2241](#) [73404-2300](#) [7405-1521-005](#) [7405-1521-802](#) [8527](#) [8547](#) [FS11V](#) [8808-1511-001](#) [9074-9513-000](#) [PL11C-](#)  
[026](#) [PL40-5](#) [PL71-9](#) [PL74C-221](#) [9408-1113-000](#) [980-8666-005](#) [1200690078](#) [1-201144-1](#) [120919](#) [R107003010W](#) [R112186000](#)  
[R113053000W](#) [R113082097](#) [R113236000](#) [R113240000](#) [R113240097](#) [R114083000](#) [R114670000W](#) [R123415000W](#) [R124072220W](#)  
[R124076320](#)