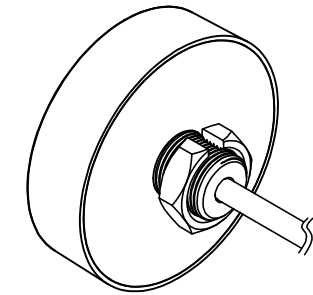
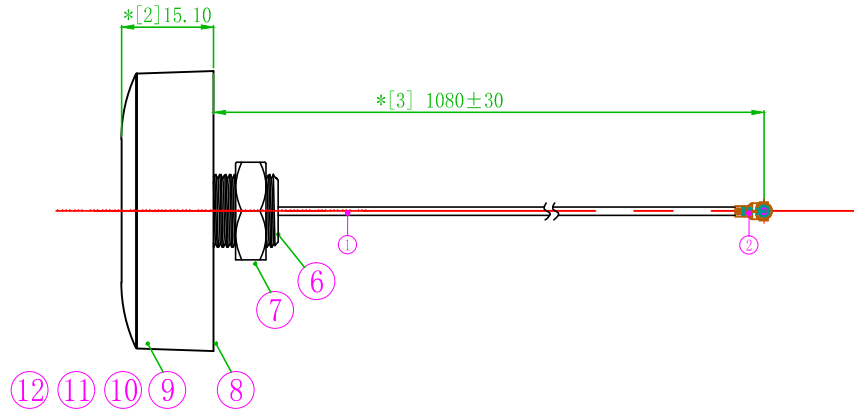
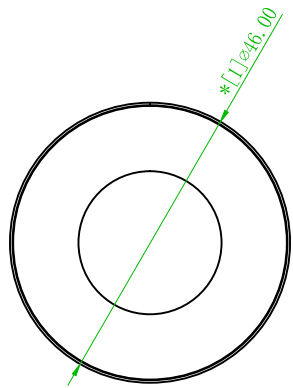
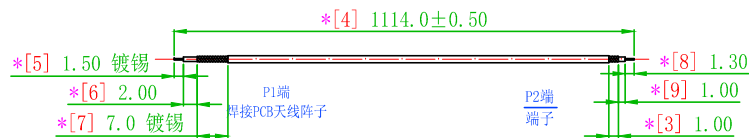


REVISION	DESCRIPTION	DATE	DRAFTER
A0	FIRST RELEASE	24.02.22	Xiu He



3D 视图



12	2YG085	铜管, OD4.0 L10.0内孔3.4mm	1	---
11	2YP087	PCB天线接地板, 单面板, FR-4, OD41.2*10.6mm	1	---
10	2YP086	PCB天线阵子, 单面板, FR-4, OD41.2*10.6mm	1	---
9	/	塑胶体, 黑色抗紫外线	1	---
8	/	塑胶盖, 黑色抗紫外线	1	---
7	/	M12螺母	1	---
6	/	M12螺柱	1	---
5	2TA035BK1-015	OD:3.5*L15.0mm, 无卤阻燃, 125H2普通型, 黑色	1	---
4	//	//	1	---
3	//	//	1	---
2	//	///	1	---
1	2C5R17813BK1	RG178 coaxial-cable,	1	---
No.	PART NUMBER	PART NAME & DESCRIPTION	Q'TY	REMARKS

GENERAL TOLERANCE:	
LINEAR:	
X	± 2.00
X.X	± 1.00
X.XX	± 0.50
X.XXX	± 0.30
ANGLE:	
X°	$\pm 4.00°$
X.X°	$\pm 3.00°$
X.XX°	$\pm 2.00°$
X.XXX°	$\pm 1.00°$

HJ-Tech 东莞市皇捷通讯科技有限公司

FILE NAME: product drawing TITLE: 小蘑菇头4G天线, RG178 线L1080mm

ENG/DATE: Xiu He/24.02.22

CHE/DATE: P/N: RF2402008

APP/DATE: UNIT: mm SCALE: 1:1 REVISTON: A0 SHEET: 1/1

Technical requirements:
 1 electrical characteristics: impedance: 50 Ω;
 Applicable frequency range: 详见规格书说明;
 2. Dimension inspection: [*] is the FAI test item; * As a key test item; ■ Controlled items for CPK.
 3. Packaging specification: 1PCS/ Bag
 4. Environmental requirements: products and materials used must meet RoHS requirements.

COMPLIANCE WITH THE REQUIREMENT: RoHS; HF; SONY SS-00259; OTHERS
 *NO USING ESTRICTED AND BANNED SUBSTANCE

X-ON Electronics

Largest Supplier of Electrical and Electronic Components

Click to view similar products for [Antennas](#) category:

Click to view products by [HJ Tech](#) manufacturer:

Other Similar products are found below :

[930-033-R](#) [EXE902SM](#) [APAMPG-117](#) [108-00014-50](#) [66089-2406](#) [A09-F8NF-M](#) [A09-F5NF-M](#) [RGFRA1903041A1T](#) [108-00016-050](#)
[SIMNA-868](#) [SIMNA-915](#) [SIMNA-433](#) [W1049B090](#) [TRABT1560](#) [WTL2449CQ1-FRSMM](#) [CPL9C](#) [0600-00060](#) [Y4503](#) [PAL90209H-FNF](#)
[GD53-25](#) [C37](#) [MAF94051](#) [S9025PLSMF](#) [QWFTB120](#) [MAF94300](#) [FG4403](#) [MIKROE-2393](#) [GPSCPMM00](#) [ANTDOM-05-01-WPM](#) [ANT-](#)
[WP868SMA-Y](#) [EXW30BNX](#) [RAD-ISM-2459-ANT-FOOD-6-0-](#) [S4908WBFNM](#) [GD57-21](#) [B4305CN](#) [108-20131-010](#) [108-00032-010](#) [C27S](#)
[CBNC58](#) [EXH160MXI](#) [EXH160SFK](#) [MD10-004](#) [EXC902SM](#) [CB27](#) [ABFT](#) [BB4502NR](#) [B4502N](#) [S4908WBFNF](#) [NMOCAPB](#) [60210](#)