

REVISION	DESCRIPTION	DATE	DRAFTER
A1	修改结构, 胶芯不能凸出金属面	19.09.19	Mark
A2	增加黑色防水圈	19.09.28	Mark
A3	2.08mm尺寸修改为2.8mm	19.11.10	Mark

NOTES:

1 ELECTRICAL SPECIFICATION

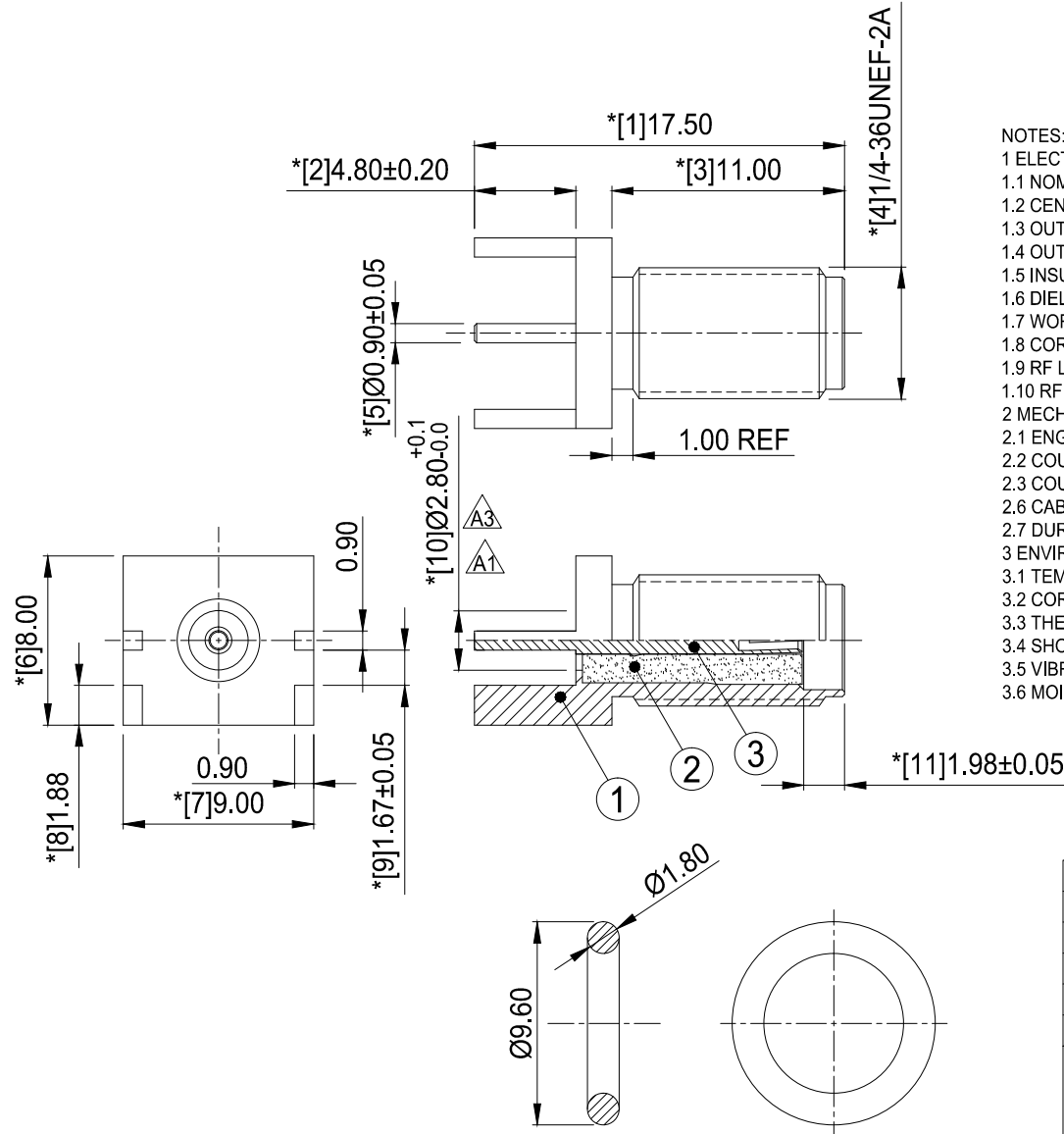
- 1.1 NOMINAL IMPEDANCE: 50Ω; FREQUENCY RANGE: UP TO 6GHz; VSWR: 1.30 MAX.
- 1.2 CENTER CONTACT RESISTANCE: INITIAL 3.0mΩ MAX., AFTER CONDITIONING 5.0mΩ MAX.
- 1.3 OUTER CONTACT RESISTANCE: INITIAL 2.0mΩ MAX., AFTER CONDITIONING - N.A.
- 1.4 OUTER CONDUCTOR TO BODY RESISTANCE: INITIAL 5.0mΩ MAX., AFTER CONDITIONING - N.A.
- 1.5 INSULATION RESISTANCE: INITIAL 5000MΩ MIN., AFTER CONDITIONING 200MΩ MIN.
- 1.6 DIELECTRIC WITHSTANDING VOLTAGE: 750Vrms MIN. AT SEA LEVEL
- 1.7 WORKING VOLTAGE: 250Vrms MAX. AT SEA LEVEL, 65Vrms MAX. AT 4.4kPa
- 1.8 CORONA LEVEL (DISCHARGE TEST): 190V MIN. AT 4.4kPa
- 1.9 RF LEAKAGE: -60dB MIN., TESTED AT 2.5GHz
- 1.10 RF HIGH POTENTIAL WITHSTANDING VOLTAGE: 500Vrms MIN., TESTED AT 5MHz TO 7MHz

2 MECHANICAL SPECIFICATION

- 2.1 ENGAGEMENT AND DISENGAGEMENT FORCE: 0.23N MAX. (COUPLING NUT FRICTION)
- 2.2 COUPLING TORQUE: MATING TORQUE 0.8Nm TO 1.1Nm, PROOF TORQUE 1.7Nm
- 2.3 COUPLING NUT RETENTION: 180N
- 2.6 CABLE RETENTION: AXIAL FORCE 50N, TORQUE - N.A.
- 2.7 DURABILITY: 500 CYCLES

3 ENVIRONMENTAL SPECIFICATION

- 3.1 TEMPERATURE RANGE: -65°C TO +165°C
- 3.2 CORROSION: MIL-STD-202, METHOD 101, CONDITION B
- 3.3 THERMAL SHOCK: MIL-STD-202, METHOD 107, CONDITION B
- 3.4 SHOCK: MIL-STD-202, METHOD 213, CONDITION I
- 3.5 VIBRATION: MIL-STD-202, METHOD 204, CONDITION D
- 3.6 MOISTURE RESISTANCE: MIL-STD-202, METHOD 106



No.	PART NAME	SPECIFICATION DESCRIPTION	Q'TY
4	2LC15S-401	硅胶圈OD9.6*OD1.8*OD6.0	1
3	2LC15SF091-5	母针,黄铜,镀金3u"	1
2	2LC15SF091-6	绝缘体,铁氟龙,白色	1
1	2LC15SF091-4	螺牙本体,黄铜,镀金	1

GENERAL TOLERANCE: LINEAR: X ±0.50 X.X ±0.30 X.XX ±0.10 X.XXX ±0.10 ANGLE: X° ±4.00° X.X° ±3.00° X.XX° ±2.00° X.XXX° ±1.00°		HJ-Tech 东莞市皇捷通讯科技有限公司 电话: 0769-83328111	
FILE NAME: 产品图	TITLE: SMA母头母针FOR PCB, 异形8.0*9.0*L17.5mm, 主体黄铜镀金, OD0.90母针镀金, 脚长4.8mm, 夹板尺寸为1.67mm (配硅胶圈OD9.6*OD1.8*OD6.0)	P/N: HJ-2LC15SF091	
ENG/DATE: Mark/19.08.27	SCALE: 1:1	REVISION: A0	SHEET: 1/1
CHE/DATE:	UNIT: mm		
APP/DATE:			

COMPLIANCE WITH THE REQUIREMENT: ■ RoHS; □ HF; □ SONY SS-00259; □ OTHERS
*NO USING ESTRICTED AND BANNED SUBSTANCE

X-ON Electronics

Largest Supplier of Electrical and Electronic Components

Click to view similar products for [RF Connectors / Coaxial Connectors](#) category:

Click to view products by [HJ Technology](#) manufacturer:

Other Similar products are found below :

[8915-1511-000](#) [89674-0827](#) [6001-7071-019](#) [6002-7051-003](#) [6059674-1](#) [619550-1](#) [630059-000](#) [M39012/25-3026](#) [M39030/3-01N](#) [6501-1071-002](#) [6769](#) [7002-1541-010](#) [7002-1572-002](#) [7003-1542-011](#) [7004-1512-000](#) [7009-1511-004](#) [7029-1511-060](#) [7101-1541-010](#) [7101-1571-002](#) [7105-1521-002](#) [7203-1571-003](#) [7209-1511-011](#) [7210-1511-015](#) [7210-1511-040](#) [7242-1511-000](#) [73216-2241](#) [73404-2300](#) [7405-1521-005](#) [7405-1521-802](#) [7406-1521-005](#) [8527](#) [8547](#) [FS11V](#) [877931](#) [8808-1511-001](#) [9049-9513-000](#) [9074-9513-000](#) [910A205F](#) [PL40-36](#) [PL40-5](#) [PL71-9](#) [980-8666-005](#) [1200690078](#) [1-201144-1](#) [120919](#) [R107003010W](#) [R110A172100](#) [R112186000](#) [R113053000W](#) [R113081000](#)