

RoHS & HF Compliant

NOTE:

- Material:
Housing: Thermoplastics,UL94V-0;PBT,Black(Halogen Free)
Contact: Copper Alloy
Inner Shell: Copper Alloy
Outer Shell: LCP-E130i,Black;Thermoplastics,UL94V-0,T>0.45mm,(Halogen free)
- Finish:
Contact: Glod Flash Plated on Contact Area,
80u" Min.Tin Plated on Solder Tails Area,
50u" Min.Nickel Underplating Over All.
Shell: 50u" Min.Nickel Underplating Over All.
- Specification:
3.1: Rated current: 1.5 A
Insulation Resistance:
1000MΩ Min. at 500V/DC for 1Minute.
Withstanding voltage: 500 VAC/minute
Contact Resistance: 30mΩ Max.
3.2: MECHANICAL
Mating force: 20N Max.
Unmating force:10~20N.
Durability: 3000 cycles Min.
- Ordering information

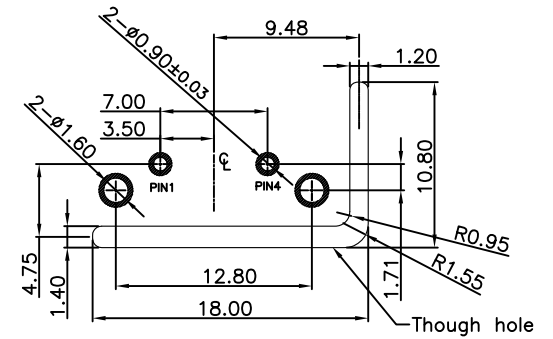
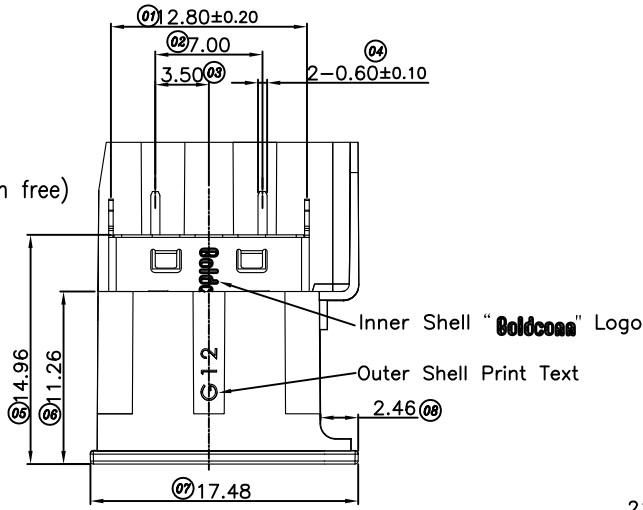
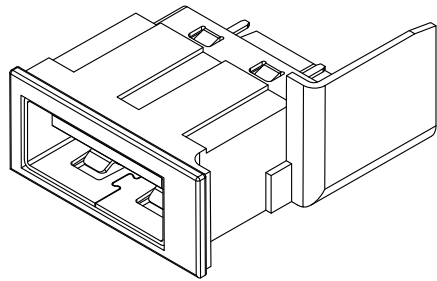
USB-AF-DIP-251-HB-2L

USB SERIES
CONNECTOR TYPE
A TYPE FEMALE

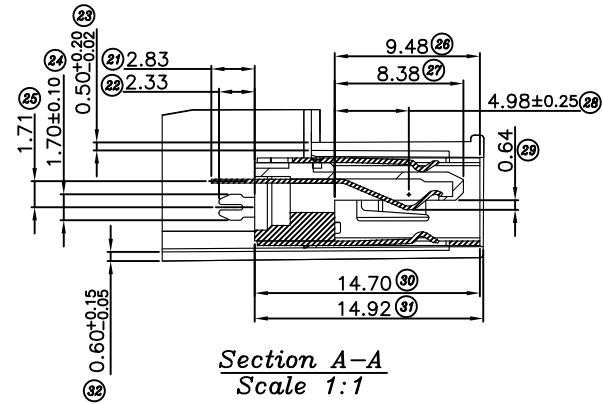
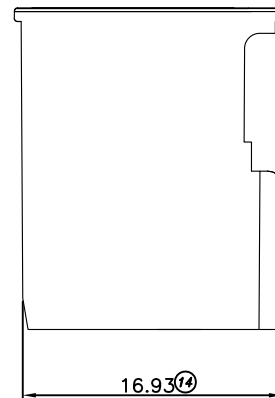
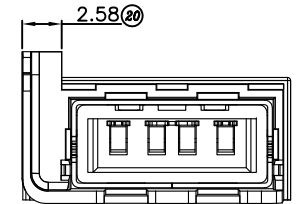
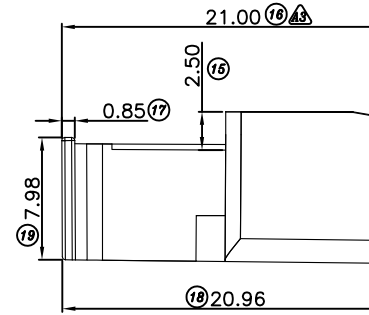
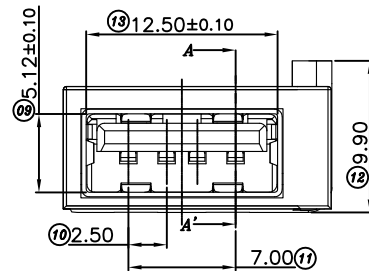
2 dip(Terminal),
Outer Shell:LCP-E130i
Halogen Free,Black

FOLLOW NUMBER

CONNECTOR STYLE
DIP TYPE



RECOMMENDED PCB LAYOUT(TOP VIEW)
GENERAL TOLERANCES:±0.05



Section A-A
Scale 1:1

4	Outer Shell	HUB42L-1E1-BX00-H	LCP-E130i, 黑色, 无卤	1PCS
3	Inner Shell	GUB25B-1F2-SN12	铜壳镀可焊镍50u Min.	1PCS
2	Terminal	GUB26P-1H1-VP01	接触区镀金1u" 焊接区镀亮锡80u"Min.	4PCS
1	Housing	HUB05T-1A3-BX00-H	PBT, Black, 无卤	1PCS

A3	Outer Shell shorten 1mm	19.03.15	Lua	Ysh	张数	1/1	TOLERANCE UNLESS OTHERWISE SPECIFIED	图号	USB-AF-DIP-251-HB-2L
A2	Outer Shell Add Print Text	17.07.04	XCL	Stanly	比例	1:1	■ Cp/Cpk and SPC Control Item	名称	USB AF 180° FEMALE
A1	Modify Outer Shell	17.06.08	Lxb	Stanly	单位	MM		角法	(W=17.48, L=22.0, H=4.75, 2.3Pin Short, Black)
A0	NEW ISSUE	16.05.05			版本	Xcl	.X±0.30 .X'±3'	客户图	
REV.	设变内容 MODIFICATION	日期 DATE	修改 DRAW	核准 APPROVE	审核 CHECKED		.XX±0.25 .X'±1'		
							.XXX±0.10 .XX±		

X-ON Electronics

Largest Supplier of Electrical and Electronic Components

Click to view similar products for [USB Connectors](#) category:

Click to view products by [HJ Technology](#) manufacturer:

Other Similar products are found below :

[950](#) [A-USB B-TOP-C](#) [MUSBA511N5](#) [MUSBC111M5](#) [MUSBD11135](#) [17-200721](#) [217450-1](#) [KMBVX-TH-5S-B30](#) [896-30-004-00-000000](#)
[KUSBX-AS2N-W](#) [KUSBX-SMT2AP1S-W30](#) [935](#) [957](#) [30-498-6](#) [SK-60A-2](#) [1734082-1](#) [30-1574](#) [30-470](#) [30-489](#) [30-541](#) [30-572-3](#) [A-USB](#)
[A-2P-C](#) [MIKROE-1451](#) [USBFTV2PEM2G](#) [USBFTVSCCG](#) [4689-1](#) [1-1734084-2](#) [MUSBC11135](#) [USBF21ZNSCC](#) [USBBFTV6ZC](#)
[MUSBB151341](#) [10135326-001LF](#) [M9177/3-1](#) [TJ-105](#) [USB-A-S-F-B-VT](#) [4198](#) [690-024-633-031](#) [UB-20PMFP-LC7001](#) [USBFTVC6MRG](#)
[UA-20BMFA-SL8001](#) [17-200011](#) [USBFTVC7ZC](#) [UB-20AFMM-LL7A01](#) [USBFTVC2MN](#) [CAP-WCCMLPB1](#) [1310-1031-01](#) [2041386-1](#)
[2274475-3](#) [UB-20BMFA-SL8001](#) [UB-20PMFP-SC8003](#)