

RoHS & HF Compliant

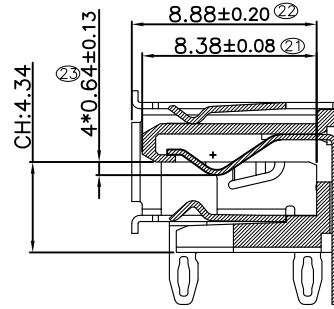
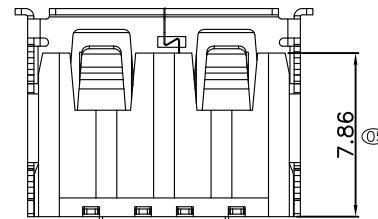
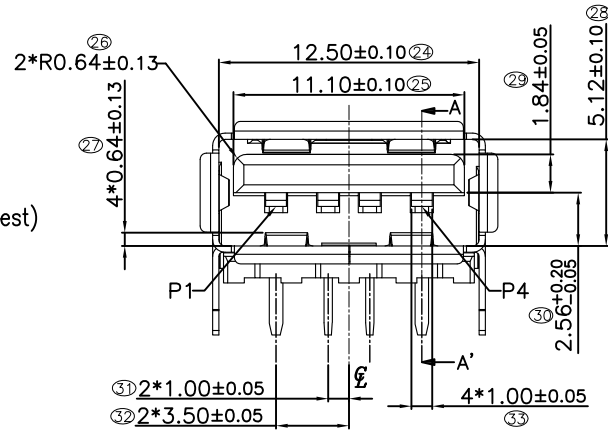
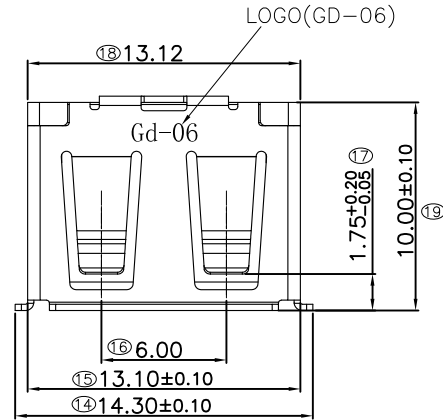
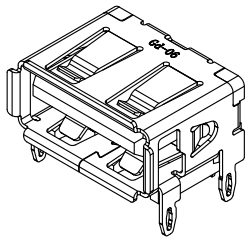
NOTE:

- Material:
  - Housing: PBT White; Thermoplastics, UL94V-0 (Halogen free)
  - Contact: Copper Alloy (C5191)
  - Shell: Stainless Steel (SUS201)
- FINISH:
  - Contact: Gold 3u" Plated on Contact Area, 80u" Min. Tin Plated on Solder Tails Area, 50u" Min. Nickel Underplating Over All.
  - Shell: 50u" Min. Nickel Underplating Over All.
- Specification:
  - ELECTRICAL
    - Rated current: 1.5 A
    - Insulation Resistance: 1000MΩ Min. at 500V/DC for 1Minute.
    - Withstanding voltage: 500 VAC/minute
    - Contact Resistance: 30 m ohms Max.
  - MECHANICAL
    - Mating force: 6-25N (initial test)
    - Unmating force: 10-25N (initial test)
    - 8-25N (After Durability test)
    - Durability: 3000 cycles.
    - Housing Pull out force: 80N Min.
  - ENVIRONMENTAL
    - Salt Spray: 24 Hours Min.
- Ordering information

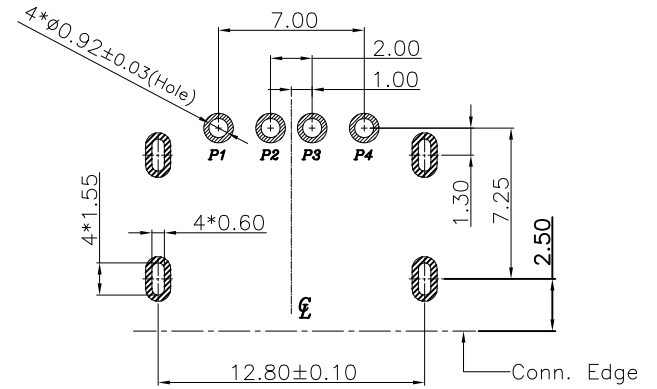
USB-AF-DIP-539-HW

USB SERIES | CONNECTOR TYPE | CONNECTOR STYLE | FOLLOW NUMBER

A TYPE FEMALE | DIP TYPE | Halogen Free, White

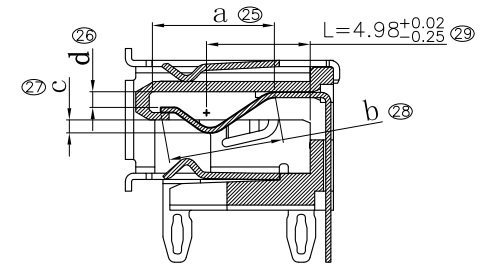
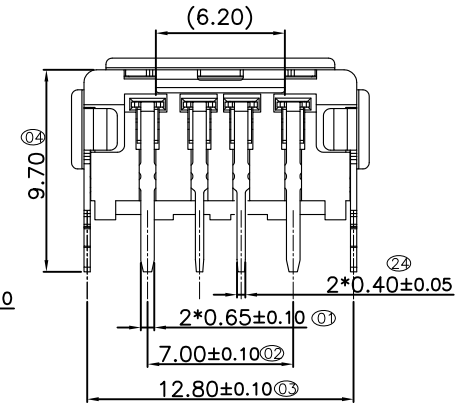
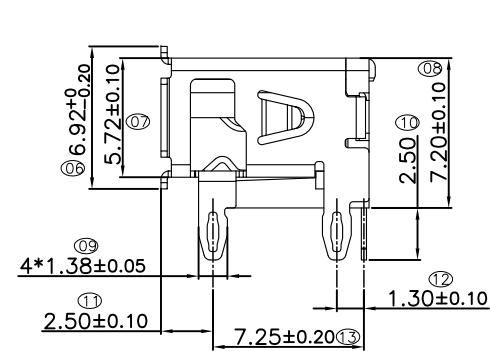


SECTION A-A'



RECOMMENDED P.C.B. PATTERN LAYOUT

GENERAL TOLERANCES: ±0.05  
PCB T=1.0~1.2mm



以上尺寸, 必须满足 a>b, d>c 标准  
4.98±0.02/-0.25 必须在公差内  
生产时需重点管控

|   |    |                   |                              |      |
|---|----|-------------------|------------------------------|------|
| 3 | 外壳 | GUB102U-1A1-NN24  | SUS201 不锈钢壳<br>镀可焊镍50u" Min. | 1PCS |
| 2 | 端子 | GUB43P-1J4-NP03   | 接触区镀金3u"<br>焊接区镀亮锡80u" Min.  | 4PCS |
| 1 | 胶芯 | HUB85T-1A1-WX00-H | PBT 白色, 无卤                   | 1PCS |

| UNIT | mm                       | *: Inspection Item | IJJ-Tech 东莞市皇捷通讯科技有限公司<br>DONGGUAN HUANGJIE COMMUNICATION TECHNOLOGY CO., LTD. |         |
|------|--------------------------|--------------------|--|---------|
| A6   | 按客户要求, 新增尺寸管控            | 20.11.20           | Nick   | Lcz     |
| A5   | 增加简支尺寸管控                 | 19.03.11           | Lua  | YSH     |
| A4   | 高端LOGO印字修改为GD-06         | 18.12.26           | Lua  | YSH     |
| A3   | 2, 3PIN端子的DIP脚改为0.40MM宽度 | 18.09.22           | Lua  | YSH     |
| 版本   | 设定内容                     | 日期                 | 修改   | 核准      |
| REV. | MODIFICATION             | DATE               | DRAW   | APPROVE |
|      |                          |                    | CHECKED  |         |

|    |  |
|----|--|
| 图号 | USB-AF-DIP-539-HW                            |
| 名称 | USB AF 90度插板短体四支鱼叉脚白色<br>(半金亮锡3u", L=7.20mm) |
| 角法 | 客户图  |

## X-ON Electronics

Largest Supplier of Electrical and Electronic Components

*Click to view similar products for [USB Connectors](#) category:*

*Click to view products by [HJ Technology](#) manufacturer:*

Other Similar products are found below :

[950](#) [A-USB B-TOP-C](#) [MUSBA511N5](#) [MUSBC111M5](#) [MUSBD11135](#) [17-200721](#) [217450-1](#) [KMBVX-TH-5S-B30](#) [896-30-004-00-000000](#)  
[KUSBX-AS2N-W](#) [KUSBX-SMT2AP1S-W30](#) [935](#) [957](#) [30-498-6](#) [SK-60A-2](#) [1734082-1](#) [30-1574](#) [30-470](#) [30-489](#) [30-541](#) [30-572-3](#) [A-USB](#)  
[A-2P-C](#) [MIKROE-1451](#) [USBFTV2PEM2G](#) [USBFTVSCCG](#) [4689-1](#) [1-1734084-2](#) [MUSBC11135](#) [USBF21ZNSCC](#) [USBBFTV6ZC](#)  
[MUSBB151341](#) [10135326-001LF](#) [M9177/3-1](#) [TJ-105](#) [USB-A-S-F-B-VT](#) [4198](#) [690-024-633-031](#) [UB-20PMFP-LC7001](#) [USBFTVC6MRG](#)  
[UA-20BMFA-SL8001](#) [17-200011](#) [USBFTVC7ZC](#) [UB-20AFMM-LL7A01](#) [USBFTVC2MN](#) [CAP-WCCMLPB1](#) [1310-1031-01](#) [2041386-1](#)  
[2274475-3](#) [UB-20BMFA-SL8001](#) [UB-20PMFP-SC8003](#)