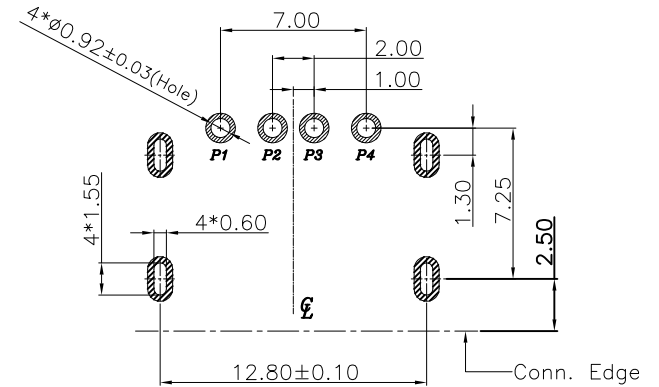
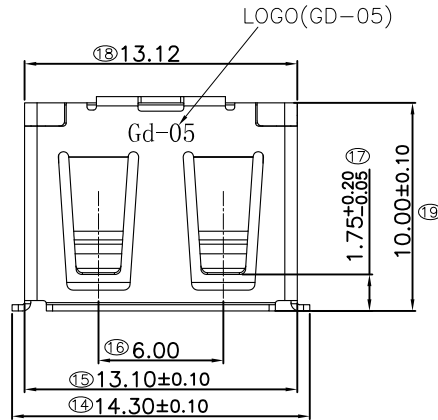


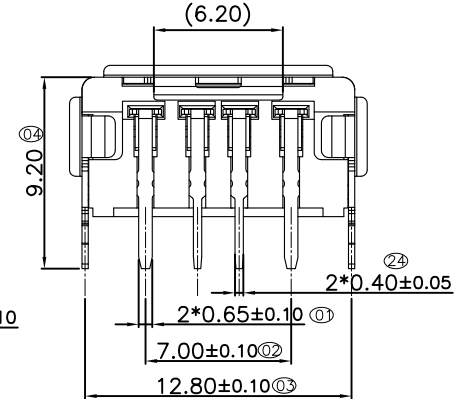
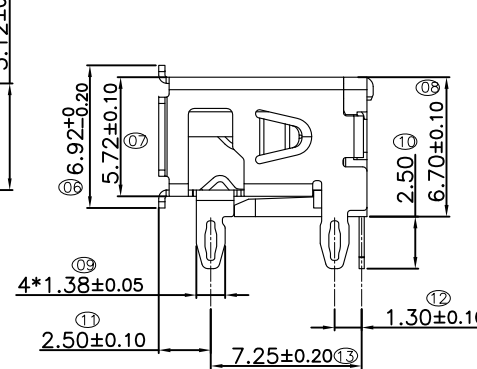
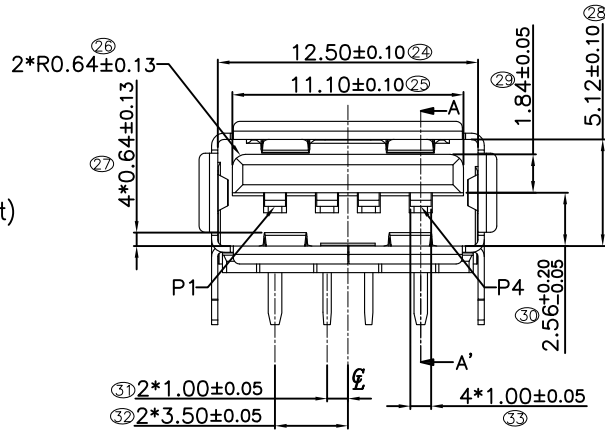
RoHS & HF Compliant

NOTE:

- Material:
  - Housing: PBT White;Thermoplastics,UL94V-0(Halogen free)
  - Contact: Copper Alloy(C5191)
  - Shell: Stainless Steel(SUS201)
- FINISH:
  - Contact: Gold 3u" Plated on Contact Area, 80u" Min.Tin Plated on Solder Tails Area, 50u" Min.Nickel Underplating Over All.
  - Shell: 50u" Min.Nickel Underplating Over All.
- Specification:
  - ELECTRICAL
    - Rated current: 1.5 A
    - Insulation Resistance: 1000MΩ Min. at 500V/DC for 1Minute.
    - Withstanding voltage: 500 VAC/minute
    - Contact Resistance: 30 m ohms Max.
  - MECHANICAL
    - Mating force: 6-25N(initial test)
    - Unmating force:10-25N(initial test)
    - 8-25N(After Durability test)
    - Durability: 3000 cycles.
    - Housing Pull out force:80N Min.
  - ENVIRONMENTAL
    - Salt Spray:24 Hours Min.
- Ordering information



RECOMMENDED P.C.B.PATTERN LAYOUT  
GENERAL TOLERANCES:±0.05  
PCB T=1.0~1.2mm



USB-AF-DIP-540-HW

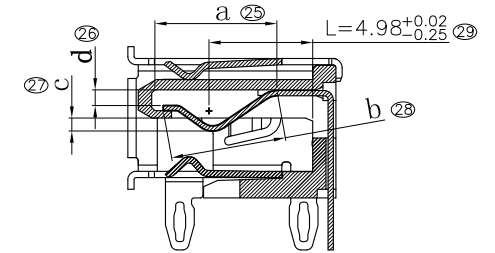
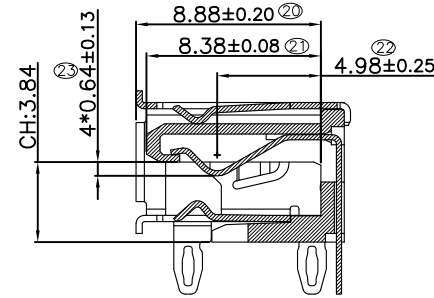
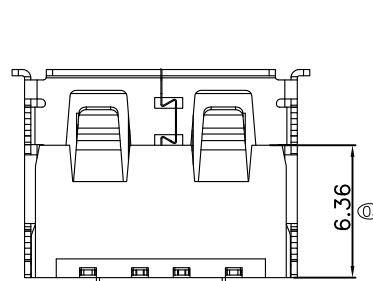
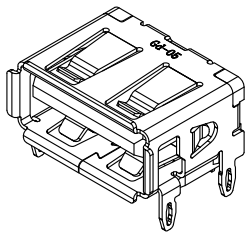
USB SERIES

CONNECTOR TYPE  
A TYPE FEMALE

CONNECTOR STYLE  
DIP TYPE

Halogen Free,White

FOLLOW NUMBER



以上尺寸, 必须满足a>b, d>c标准  
4.98+0.02/-0.25必须在公差内  
生产时需重点管控

SECTION A-A'

3	外壳	GUB102U-1A2-NN24	SUS201不锈钢壳 镀可焊镍50u" Min.	1PCS
2	端子	GUB43P-1E10-NP03	接触区镀金3u" 焊接区镀亮锡80u" Min.	4PCS
1	胶芯	HUB85T-1B1-WX00-H	PBT白色, 无齿	1PCS

UNIT	mm	*: Inspection Item	HJ-Tech 东莞市皇捷通讯科技有限公司 HONGJIAN HUANGJIE COMMUNICATION TECHNOLOGY CO., LTD.	
A6	按客户要求, 新增尺寸管控	20.11.20	Nick	Lcx
A5	增加筒支尺寸管控	19.03.11	Lua	YSH
A4	高端LOGO印字修改为GD-05	18.12.26	Lua	YSH
A3	2, 3PIN端子的DIP脚改为0.40MM宽度	18.09.22	Lua	YSH
版本	设定内容	日期	修改	核准
REV.	MODIFICATION	DATE	DRAW	APPROVE
			审核	检查
			XXX±0.10	XX±
			.XX±3'	.X'±3'
			.XX±1'	.X'±1'
			.XXX±0.10	.XX±
			图号	USB-AF-DIP-540-HW
			名称	USB AF 90度插板短体四支鱼叉脚白色 (半金亮锡3u", H=6.7mm)
			角注	客户图

## X-ON Electronics

Largest Supplier of Electrical and Electronic Components

*Click to view similar products for [USB Connectors](#) category:*

*Click to view products by [HJ Technology](#) manufacturer:*

Other Similar products are found below :

[950](#) [A-USB B-TOP-C](#) [MUSBA511N5](#) [MUSBC111M5](#) [MUSBD11135](#) [17-200721](#) [217450-1](#) [KMBVX-TH-5S-B30](#) [896-30-004-00-000000](#)  
[KUSBX-AS2N-W](#) [KUSBX-SMT2AP1S-W30](#) [935](#) [957](#) [30-498-6](#) [SK-60A-2](#) [1734082-1](#) [30-1574](#) [30-470](#) [30-489](#) [30-541](#) [30-572-3](#) [A-USB](#)  
[A-2P-C](#) [MIKROE-1451](#) [USBFTV2PEM2G](#) [USBFTVSCCG](#) [4689-1](#) [1-1734084-2](#) [MUSBC11135](#) [USBF21ZNSCC](#) [USBBFTV6ZC](#)  
[MUSBB151341](#) [10135326-001LF](#) [M9177/3-1](#) [TJ-105](#) [USB-A-S-F-B-VT](#) [4198](#) [690-024-633-031](#) [UB-20PMFP-LC7001](#) [USBFTVC6MRG](#)  
[UA-20BMFA-SL8001](#) [17-200011](#) [USBFTVC7ZC](#) [UB-20AFMM-LL7A01](#) [USBFTVC2MN](#) [CAP-WCCMLPB1](#) [1310-1031-01](#) [2041386-1](#)  
[2274475-3](#) [UB-20BMFA-SL8001](#) [UB-20PMFP-SC8003](#)