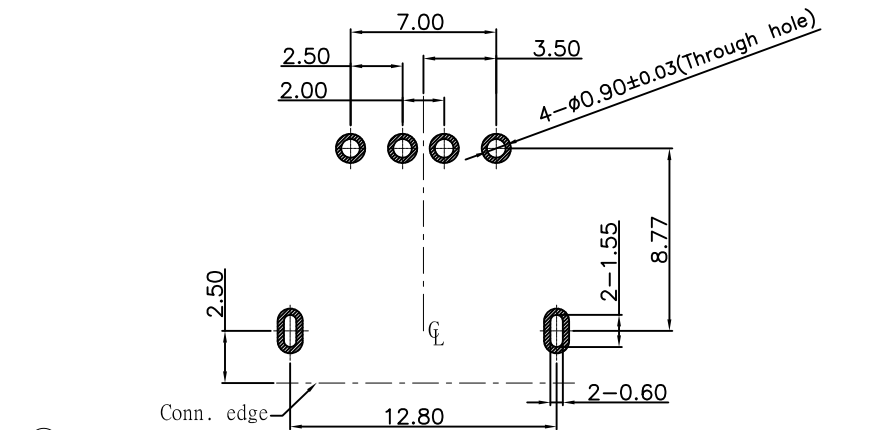
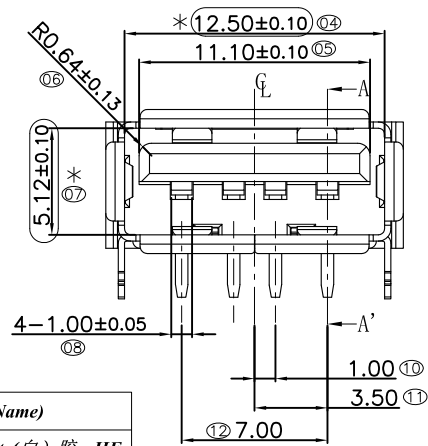
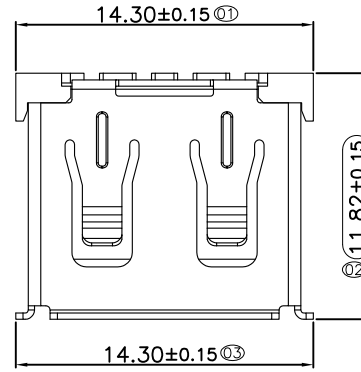


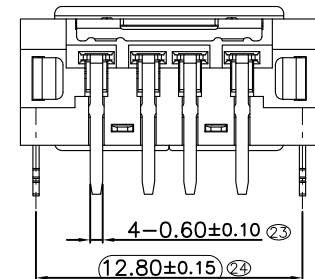
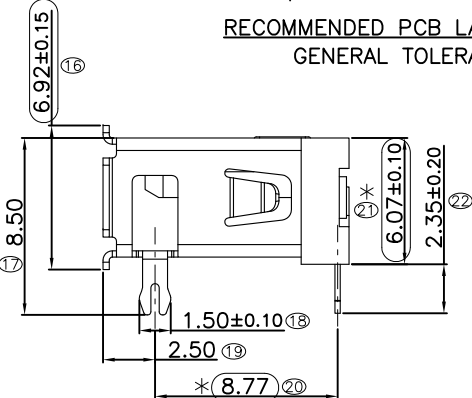
RoHS & HF Compliant

NOTE:

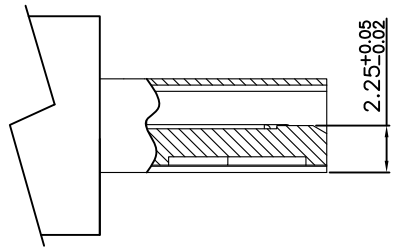
- Material:
Housing: Thermoplastics, UL94V-0; PBT+30% GF., Color: White, HF.
Contact: Phosphor bronze, C5191R-EH, T=0.25mm
Shell: C2680R-H, T=0.3mm
- FINISH:
Contact: Au 2u" Plated on Contact Area,
150u" Matte Tin Plated on Solder Tails Area,
50u" Min. Nickel Underplating Over All.
Shell: 50u" Min. Nickel Underplating Over All.
- Specification:
3.1: Rated current: 1.5 A
Insulation Resistance:
1000MΩ Min. at 500V/DC for 1Minute.
Withstanding voltage: 500 VAC/minute
Contact Resistance: 30mΩ Max.
3.2: MECHANICAL
Mating force: 20NMax.(Initial test)
Unmating force: 10~20N(Initial test)
After 1500 Cycles: 10~30N
After 3000 Cycles: 8~30N
Durability: 3000 cycles Min.
Contact retention force: 4.2N(0.43kgf) Min.
- Dimensions with "☐" are IA dimensions,
Needs follow the existing IA dimensions control rules.
Dimension with "☐&*" means MA dimensions
Needs follow the existing MA dimensions control rules.
- Customer Part No.: UG0147LG
- Ordering information



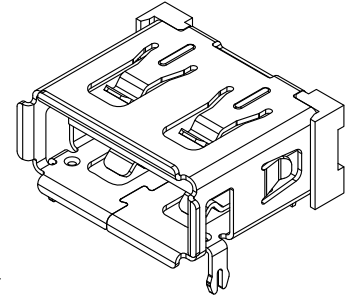
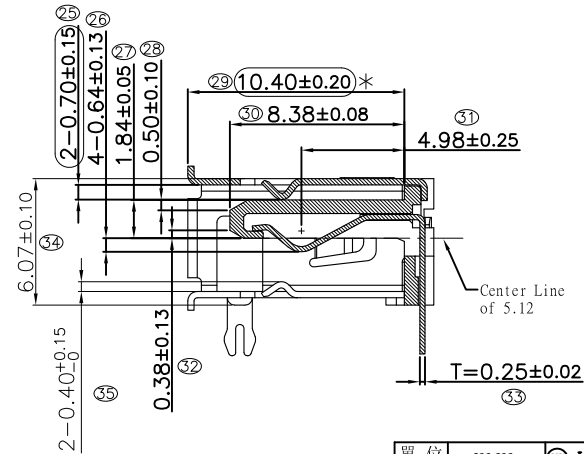
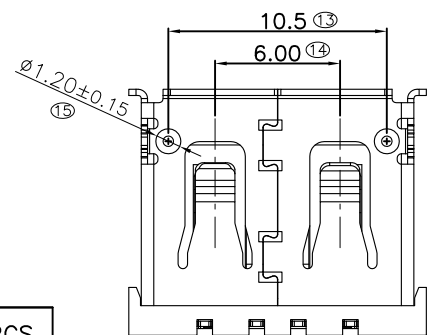
RECOMMENDED PCB LAYOUT(TOP VIEW)
GENERAL TOLERANCES: ±0.05



料号 (Part No.)	(客)料号 (Customer P/N)	品名规格 (Part Name)
USB-AF-DIP-546-HW-B	UG0147LG	USB AF 90° DIP Au 3u" White(白) 胶, HF



REFERENCE USB2.0 AM PLUG STANDARD



3	外壳	GUB109B-1A2-VN12	铜壳, 镀可焊镍50u Min.	1PCS
2	端子	GUB43P-1K1-NW03	接触区镀金3u" 焊接区镀雾锡150u"Min.	4PCS
1	胶芯	HUB36T-1E1-WX00-H	PBT+30%GF., 白色无卤	1PCS
项次 NO.	品名 NAME	料号 P/N	表面处理 PLATING	备注 MARK

A2	Modify Shell Spring, Add Customer P/N.	19.03.28	Lua	Ysh
A1	The product height is modified to H6.07	18.08.08	Lua	Ysh
A0	NEW ISSUE	18.08.08		
版本 REV.	設變內容 MODIFICATION	日期 DATE	修改 DRAW	核准 APPROVE

單位 UNIT	mm	☐ Inspection Item	HJ-Tech 东莞市皇捷通讯科技有限公司 DONGGUEN HUANGJIE COMMUNICATION TECHNOLOGY CO., LTD.
比例 SCALE	1:1	☐ Cp/Cpk and SPC Control Item	
張數 SHEET	1/1	TOLERANCE UNLESS OTHERWISE SPECIFIED	圖號 Dwg No. USB AF DIP-546-HW-B
製圖 DRAWING	Lua	.X±0.30 X'±3'	名稱 Title USB 4P 90° FEMALE
版本 REV.		.XX±0.20 X'±1'	角法 TITLE (PBT, WT, 半金雾锡2u", 无LOGO)
		.XXX±0.10 XX±	角法 PROJ. 客户图

X-ON Electronics

Largest Supplier of Electrical and Electronic Components

Click to view similar products for [USB Connectors](#) category:

Click to view products by [HJ Technology](#) manufacturer:

Other Similar products are found below :

[950](#) [A-USB B-TOP-C](#) [MUSBA511N5](#) [MUSBC111M5](#) [MUSBD11135](#) [17-200721](#) [217450-1](#) [KMBVX-TH-5S-B30](#) [896-30-004-00-000000](#)
[KUSBX-AS2N-W](#) [KUSBX-SMT2AP1S-W30](#) [935](#) [957](#) [30-498-6](#) [SK-60A-2](#) [1734082-1](#) [30-1574](#) [30-470](#) [30-489](#) [30-541](#) [30-572-3](#) [A-USB](#)
[A-2P-C](#) [MIKROE-1451](#) [USBFTV2PEM2G](#) [USBFTVSCCG](#) [4689-1](#) [1-1734084-2](#) [MUSBC11135](#) [USBF21ZNSCC](#) [USBBFTV6ZC](#)
[MUSBB151341](#) [10135326-001LF](#) [M9177/3-1](#) [TJ-105](#) [USB-A-S-F-B-VT](#) [4198](#) [690-024-633-031](#) [UB-20PMFP-LC7001](#) [USBFTVC6MRG](#)
[UA-20BMFA-SL8001](#) [17-200011](#) [USBFTVC7ZC](#) [UB-20AFMM-LL7A01](#) [USBFTVC2MN](#) [CAP-WCCMLPB1](#) [1310-1031-01](#) [2041386-1](#)
[2274475-3](#) [UB-20BMFA-SL8001](#) [UB-20PMFP-SC8003](#)