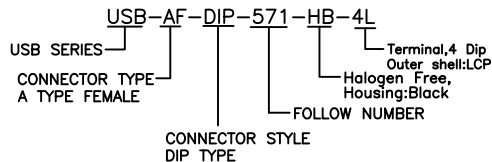


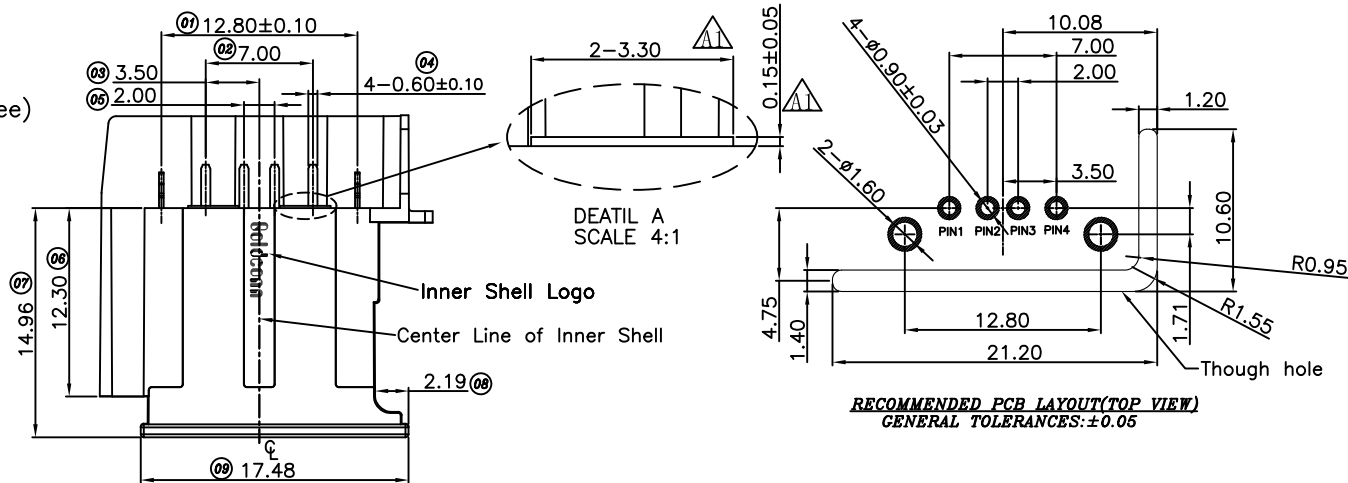
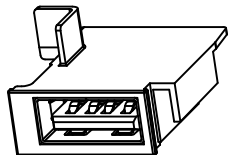
RoHS & HF Compliant

NOTE:

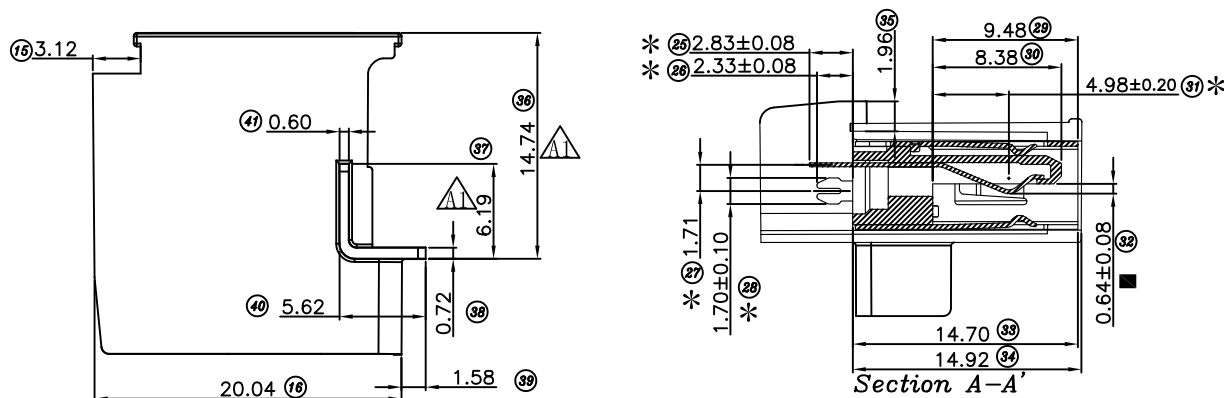
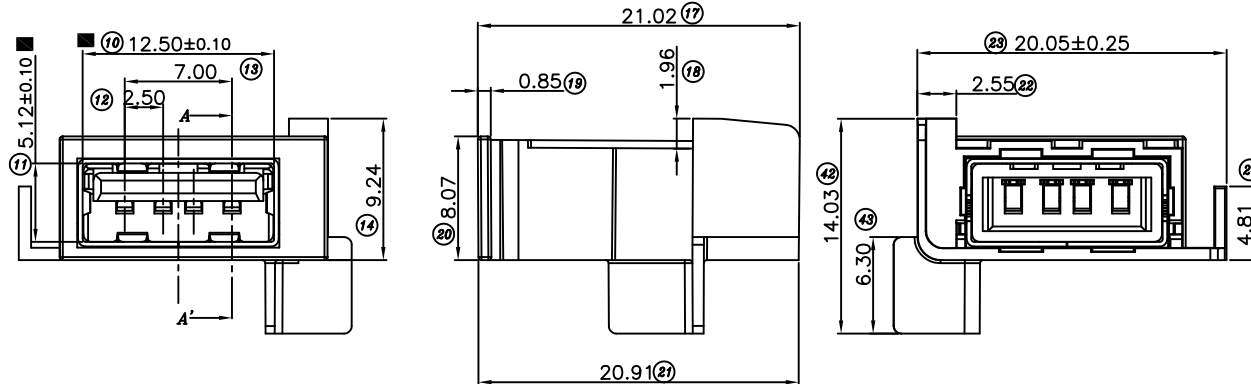
- Material:
 - Housing: Thermoplastics,UL94V-0;PBT,Black(Halogen Free)
 - Contact: Copper Alloy
 - Inner Shell: Copper Alloy
 - Outer Shell: LCP,BlackThermoplastics,UL94V-0;(Halogen free)
- Finish:
 - Contact: Glod Flash Plated on Contact Area, 80u" Min.Tin Plated on Solder Tails Area, 30u" Min.Nickel Underplating Over All.
 - Shell: 50u" Min.Nickel Underplating Over All.
- Specification:
 - Rated current: 1.5 A
Insulation Resistance: 1000MΩ Min. at 500V/DC for 1Minute.
Withstanding voltage: 500 VAC/minute
Contact Resistance: 30mΩ Max.
 - MECHANICAL
Mating force: 20N Max.
Unmating force:10~20N.
Durability: 3000 cycles Min.
- USER CODE:ML84A010590F
OUTER SHELL MINIMUM THICKNESS:0.5mm
OUTER MATERIAL:POLYPLASTIC E130i
- Ordering information



- 标注带 "*" 号尺寸，制程中品保需重点管控
- 标注带 "■" 号尺寸，制程中品保需做CPK管控
- 盐雾要求：24小时 MIN.



RECOMMENDED PCB LAYOUT(TOP VIEW)
GENERAL TOLERANCES:±0.05



4	Outer Shell	HUB129L-1A1-BX00-H	LCP,Black,无卤	1PCS
3	Inner Shell	GUB25B-1F2-SN12	铜壳镀可焊镍50u Min.	1PCS
2	Terminal	GUB26P-1A4-NP01	接触区镀金1u" 焊接区镀亮锡80u"Min.	4PCS
1	Housing	HUB05T-1A3-BX00-H	PBT,Black,无卤	1PCS

单位	MM	Inspection Item	HJ-Tech 东莞市皇捷通讯科技有限公司	
比例	1:1	■:Cp/Cpk and SPC Control Item	DONGGUAN HUANGJIE COMMUNICATION TECHNOLOGY CO., LTD.	
张数	1/1	TOLERANCE UNLESS OTHERWISE SPECIFIED	图号	USB-AF-DIP-571-HB-4L
制图		.X±0.30 .X'±3'	名称	USB AF 180° FEMALE (黑色)
DRAWIN		.XX±0.25 .X'±1'	TITLE	(W=20.2, 前4后4, 带"7"字型), 印字Goldconn
版本		.XXX±0.10 .XX±	角法	客户图
REV.	MODIFICATION	DATE	修改	审核
			APPROVE	CHECKED

X-ON Electronics

Largest Supplier of Electrical and Electronic Components

Click to view similar products for [USB Connectors](#) category:

Click to view products by [HJ Technology](#) manufacturer:

Other Similar products are found below :

[950](#) [A-USB B-TOP-C](#) [MUSBA511N5](#) [MUSBC111M5](#) [MUSBD11135](#) [17-200721](#) [217450-1](#) [KMBVX-TH-5S-B30](#) [896-30-004-00-000000](#)
[KUSBX-AS2N-W](#) [KUSBX-SMT2AP1S-W30](#) [935](#) [957](#) [30-498-6](#) [SK-60A-2](#) [1734082-1](#) [30-1574](#) [30-470](#) [30-489](#) [30-541](#) [30-572-3](#) [A-USB](#)
[A-2P-C](#) [MIKROE-1451](#) [USBFTV2PEM2G](#) [USBFTVSCCG](#) [4689-1](#) [1-1734084-2](#) [MUSBC11135](#) [USBF21ZNSCC](#) [USBBFTV6ZC](#)
[MUSBB151341](#) [10135326-001LF](#) [M9177/3-1](#) [TJ-105](#) [USB-A-S-F-B-VT](#) [4198](#) [690-024-633-031](#) [UB-20PMFP-LC7001](#) [USBFTVC6MRG](#)
[UA-20BMFA-SL8001](#) [17-200011](#) [USBFTVC7ZC](#) [UB-20AFMM-LL7A01](#) [USBFTVC2MN](#) [CAP-WCCMLPB1](#) [1310-1031-01](#) [2041386-1](#)
[2274475-3](#) [UB-20BMFA-SL8001](#) [UB-20PMFP-SC8003](#)