



Part number	L0(μH) Inductance ±20% @0A(μH)	Rdc (mΩ) @25°C		Heat Rating Current DC Amps. Idc (A)	Saturation Current DC Amps Isat (A)
		Typ.	Max.		
MCW-0630-R10-S1	0.10	1.50	1.70	32.50	60.00
MCW-0630-R22-S1	0.22	2.50	2.80	23.00	40.00
MCW-0630-R33-S1	0.33	3.50	3.90	20.00	30.00
MCW-0630-R47-S1	0.47	4.00	4.50	17.50	26.00
MCW-0630-R56-S1	0.56	4.70	5.00	16.50	25.50
MCW-0630-R68-S1	0.68	5.00	5.50	15.50	25.00
MCW-0630-R82-S1	0.82	6.70	8.00	13.00	24.00
MCW-0630-1R0-S1	1.00	9.00	10.00	11.00	22.00
MCW-0630-1R5-S1	1.50	14.00	15.00	9.00	18.00
MCW-0630-2R2-S1	2.20	18.00	20.00	8.00	14.00
MCW-0630-2R5-S1	2.50	20.00	22.00	7.00	14.00
MCW-0630-3R3-S1	3.30	28.00	30.00	6.00	13.50
MCW-0630-4R7-S1	4.70	37.00	40.00	5.50	10.00
MCW-0630-5R6-S1	5.60	39.00	42.00	5.50	9.00
MCW-0630-6R8-S1	6.80	54.00	60.00	4.50	8.00
MCW-0630-8R2-S1	8.20	56.00	62.00	4.00	6.00
MCW-0630-100-S1	10.00	62.00	68.00	4.00	5.50
MCW-0630-120-S1	12.00	85.00	95.00	3.30	5.00
MCW-0630-150-S1	15.00	96.00	110.00	3.00	4.00

※Note:

- All test data is reference to 25°C ambient.
- Test Condition: 100KHz, 1.0Vrms
- Idc: DC current (A) that will cause an approximate ΔT of 40°C
- Isat : DC current (A) that will cause L0 to drop approximately 20%
- Operat between temperature range -55°C to +125°C
The part temperature (ambient + temp rise) should not exceed 125°C under the worst case operating conditions.Circuit design, component.PWB trace size and thickness, airflow and other cooling provision all affect the part temperature.Part temperature should be verified in the end application.
- The rated current as listed is either the saturation current or the heating current depending on which value is lower.

※ Regulation of Part number

$$\underset{\textcircled{1}}{MC} \underset{\textcircled{2}}{W} = \underset{\textcircled{3}}{0630} - \underset{\textcircled{4}}{2R2} = \underset{\textcircled{5}}{S} \underset{\textcircled{6}}{1}$$

- ① Molding Choke;
- ② Mold Categories:W;
- ③ Dimensions(unit:mm):6.0x6.0x3.0;
- ④ Inductance Value:2R2=2.2μH;
- ⑤ The Material Code;
- ⑥ Material Type;

※ Features

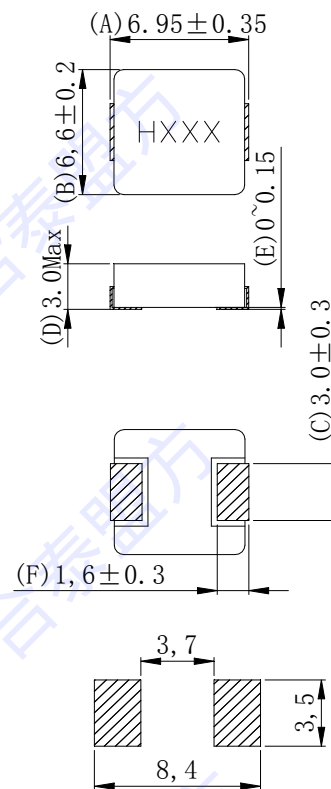
- High performance (Isat) realized by metal dust core.
- Low profile:Thickness max.3.0mm
- Low loss and low resistance
- Capable of corresponding high frequency (3MHz)
- 100% lead (Pb) free meet RoHS sta



※ Application

- DC/DC converters for laptop motherboards/CPU
- Thin type of on-board power supply module for Voltage regulator VRM for server

※ Dimensions in inches (unit:mm)



Suggested pad layout
Dimensions are in mm

X-ON Electronics

Largest Supplier of Electrical and Electronic Components

Click to view similar products for [Fixed Inductors](#) category:

Click to view products by [Hk-hotline](#) manufacturer:

Other Similar products are found below :

[CR32NP-100KC](#) [CR32NP-151KC](#) [CR32NP-180KC](#) [CR32NP-181KC](#) [CR32NP-1R5MC](#) [CR32NP-390KC](#) [CR32NP-3R9MC](#) [CR32NP-680KC](#) [CR32NP-820KC](#) [CR32NP-8R2MC](#) [CR43NP-390KC](#) [CR43NP-560KC](#) [CR43NP-680KC](#) [CR54NP-181KC](#) [CR54NP-470LC](#) [CR54NP-820KC](#) [CR54NP-8R5MC](#) [70F224AI](#) [MGDQ4-00004-P](#) [MHL1ECTTP18NJ](#) [MHQ1005P10NJ](#) [MHQ1005P1N0S](#) [MHQ1005P2N4S](#) [MHQ1005P3N6S](#) [MHQ1005P5N1S](#) [MHQ1005P8N2J](#) [PE-51506NL](#) [PE-53601NL](#) [PE-53602NL](#) [PE-53630NL](#) [PE-53824SNLT](#) [PE-92100NL](#) [PG0434.801NLT](#) [PG0936.113NLT](#) [9220-20](#) [9310-16](#) [PM06-2N7](#) [PM06-39NJ](#) [A01TK](#) [1206CS-471XJ](#) [HC2LP-R47-R](#) [HC2-R47-R](#) [HC3-2R2-R](#) [HCF1305-3R3-R](#) [1206CS-151XG](#) [RCH664NP-140L](#) [RCH664NP-4R7M](#) [RCH8011NP-221L](#) [RCP1317NP-332L](#) [RCP1317NP-391L](#)