



| Part number     | L0(μH)<br>Inductance<br>±20%<br>@0A(μH) | Rdc (mΩ) @25°C |        | Heat Rating<br>Current DC<br>Amps. Idc<br>(A) | Saturation<br>Current<br>DC Amps<br>Isat (A) |
|-----------------|---|----------------|--------|---|--|
|                 |   | Typ.           | Max.   |   |  |
| MCW-0630-R10-S1 | 0.10                                    | 1.50           | 1.70   | 32.50   | 60.00  |
| MCW-0630-R22-S1 | 0.22                                    | 2.50           | 2.80   | 23.00   | 40.00  |
| MCW-0630-R33-S1 | 0.33                                    | 3.50           | 3.90   | 20.00   | 30.00  |
| MCW-0630-R47-S1 | 0.47                                    | 4.00           | 4.50   | 17.50   | 26.00  |
| MCW-0630-R56-S1 | 0.56                                    | 4.70           | 5.00   | 16.50   | 25.50  |
| MCW-0630-R68-S1 | 0.68                                    | 5.00           | 5.50   | 15.50   | 25.00  |
| MCW-0630-R82-S1 | 0.82                                    | 6.70           | 8.00   | 13.00   | 24.00  |
| MCW-0630-1R0-S1 | 1.00                                    | 9.00           | 10.00  | 11.00   | 22.00  |
| MCW-0630-1R5-S1 | 1.50                                    | 14.00          | 15.00  | 9.00  | 18.00  |
| MCW-0630-2R2-S1 | 2.20                                    | 18.00          | 20.00  | 8.00  | 14.00  |
| MCW-0630-2R5-S1 | 2.50                                    | 20.00          | 22.00  | 7.00  | 14.00  |
| MCW-0630-3R3-S1 | 3.30                                    | 28.00          | 30.00  | 6.00  | 13.50  |
| MCW-0630-4R7-S1 | 4.70                                    | 37.00          | 40.00  | 5.50  | 10.00  |
| MCW-0630-5R6-S1 | 5.60                                    | 39.00          | 42.00  | 5.50  | 9.00   |
| MCW-0630-6R8-S1 | 6.80                                    | 54.00          | 60.00  | 4.50  | 8.00   |
| MCW-0630-8R2-S1 | 8.20                                    | 56.00          | 62.00  | 4.00  | 6.00   |
| MCW-0630-100-S1 | 10.00                                   | 62.00          | 68.00  | 4.00  | 5.50   |
| MCW-0630-120-S1 | 12.00                                   | 85.00          | 95.00  | 3.30  | 5.00   |
| MCW-0630-150-S1 | 15.00                                   | 96.00          | 110.00 | 3.00  | 4.00   |

※Note:

- All test data is reference to 25°C ambient.
- Test Condition: 100KHz, 1.0Vrms
- Idc: DC current (A) that will cause an approximate ΔT of 40°C
- Isat : DC current (A) that will cause L0 to drop approximately 20%
- Operat between temperature range -55°C to +125°C  
The part temperature (ambient + temp rise ) should not exceed 125°C under the worst case operating conditions.Circuit design, component.PWB trace size and thickness, airflow and other cooling provision all affect the part temperature.Part temperature should be verified in the end application.
- The rated current as listed is either the saturation current or the heating current depending on which value is lower.

※ Regulation of Part number

$$\underset{\textcircled{1}}{MC} \underset{\textcircled{2}}{W} = \underset{\textcircled{3}}{0630} - \underset{\textcircled{4}}{2R2} = \underset{\textcircled{5}}{S} \underset{\textcircled{6}}{1}$$

- ① Molding Choke;
- ② Mold Categories:W;
- ③ Dimensions(unit:mm):6.0x6.0x3.0;
- ④ Inductance Value:2R2=2.2μH;
- ⑤ The Material Code;
- ⑥ Material Type;

※ Features

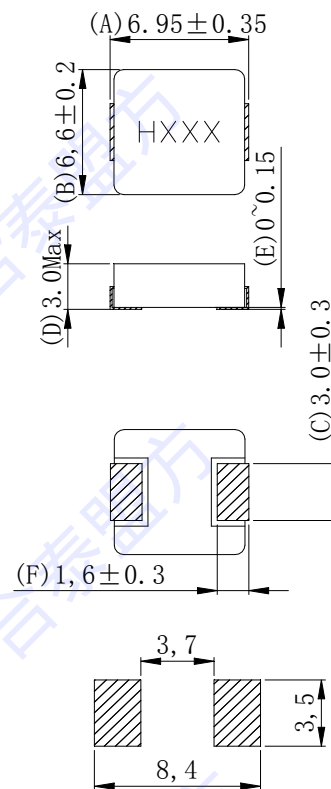
- High performance (Isat) realized by metal dust core.
- Low profile:Thickness max.3.0mm
- Low loss and low resistance
- Capable of corresponding high frequency (3MHz)
- 100% lead (Pb) free meet RoHS sta



※ Application

- DC/DC converters for laptop motherboards/CPU
- Thin type of on-board power supply module for Voltage regulator VRM for server

※ Dimensions in inches (unit:mm)



Suggested pad layout  
Dimensions are in mm

## X-ON Electronics

Largest Supplier of Electrical and Electronic Components

*Click to view similar products for [Fixed Inductors](#) category:*

*Click to view products by [Hk-hotline](#) manufacturer:*

Other Similar products are found below :

[CR32NP-100KC](#) [CR32NP-151KC](#) [CR32NP-180KC](#) [CR32NP-181KC](#) [CR32NP-1R5MC](#) [CR32NP-390KC](#) [CR32NP-3R9MC](#) [CR32NP-680KC](#) [CR32NP-820KC](#) [CR32NP-8R2MC](#) [CR43NP-390KC](#) [CR43NP-560KC](#) [CR43NP-680KC](#) [CR54NP-181KC](#) [CR54NP-470LC](#) [CR54NP-820KC](#) [CR54NP-8R5MC](#) [70F224AI](#) [MGDQ4-00004-P](#) [MHL1ECTTP18NJ](#) [MHQ1005P10NJ](#) [MHQ1005P1N0S](#) [MHQ1005P2N4S](#) [MHQ1005P3N6S](#) [MHQ1005P5N1S](#) [MHQ1005P8N2J](#) [PE-51506NL](#) [PE-53601NL](#) [PE-53602NL](#) [PE-53630NL](#) [PE-53824SNLT](#) [PE-92100NL](#) [PG0434.801NLT](#) [PG0936.113NLT](#) [9220-20](#) [9310-16](#) [PM06-2N7](#) [PM06-39NJ](#) [A01TK](#) [1206CS-471XJ](#) [HC2LP-R47-R](#) [HC2-R47-R](#) [HC3-2R2-R](#) [HCF1305-3R3-R](#) [1206CS-151XG](#) [RCH664NP-140L](#) [RCH664NP-4R7M](#) [RCH8011NP-221L](#) [RCP1317NP-332L](#) [RCP1317NP-391L](#)