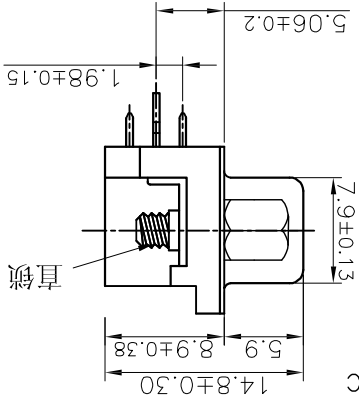
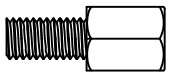


4.75*4.80*11.80



深圳市华宇创精密电子有限公司

SCALE: 1:1	SIZE: A4
UNIT: mm [inch]	
X: ±2	X.X ±0.5
X.XX ±0.15	
X.XX ±0.25	
X.X ±0.30	
TOLERANCE:	

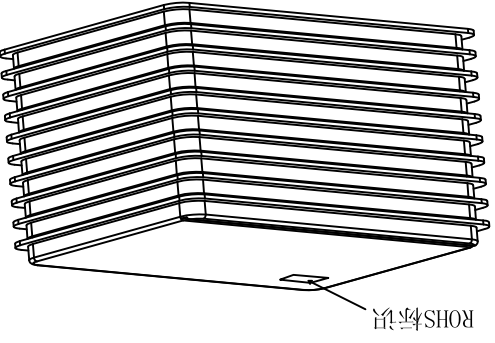
DRAWN BY: 吴迪	DATE: 2013-09-20	CHECKED BY: 马跃	DATE: 2013-09-20	APPROVED BY:	DATE:
PART NAME: HDR3.08 母座直锁式		PART NO.: HYC06-HDR15B-060		DRAW NO.: HYC-HDR13200932	SHEET NO.: 1 OF 1

NOTES:

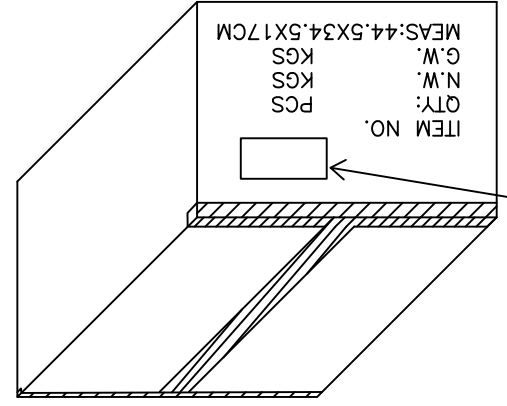
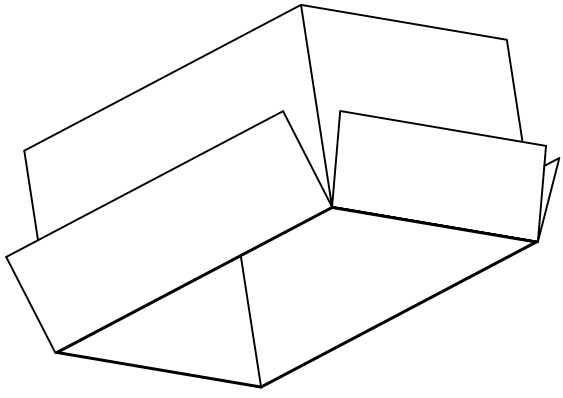
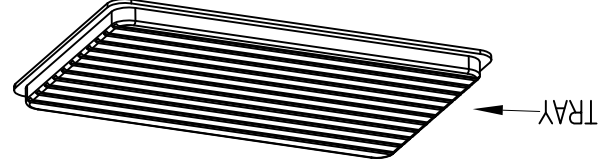
- *HOUSING: BT+30%/F color: Blue
- *CONTACT: BRASS T=0.3
- *SHELL: SPCC T=0.3
- *SCREW: SPCC
- *GROUNDING: SPCC T=0.5
- *ELECTRIC CHARACTERISTICS:
- CONTACT CURRENT RATING: 3.0A MAX.;
- CONTACT VOLTAGE RATING: 100V DC;
- CONTACT RESISTANCE: 30mΩ MAX.;
- DIELECTRIC WITHSTANDING VOLTAGE: 500V AC/60S;
- INSULATION RESISTANCE: 1000 MΩ MIN. AT DC 500V.
- *MECHANICAL CHARACTERISTICS:
- DURABILITY: 5000 CYCLES.
- INSERTION AND EXTRACTION FORCE:
- INSERTION FORCE: 50N MAX.
- EXTRACTION FORCE: 15N MIN.
- *ENVIRONMENT CHARACTERISTICS:
- OPERATING TEMPERATURE: -25°C~+70°C
- HUMIDITY: 45-85% RH.
- CONTACT: UNDER PLATED 50u" MIN NI OVER ALL 100u" MIN TIN IN SOLDERING AREA OR CONTACT AREA
- SHELL: UNDER PLATED 50u" MIN Cu. over All 80u" MIN NICKEL
- SCREW: UNDER PLATED 50u" MIN Cu. OVER ALL
- GROUNDING: UNDER PLATED 50u" MIN Cu. UNDER PLATED 50u" MIN NICKEL. OVER ALL
- 100u" MIN TIN IN SOLDERING AREA.

SCALE:1:1 SIZE: A4 UNIT: mm [inch]		DRAWN BY: 邱国美 DATE: 2013-09-20	SHEET NO. 2 OF 2 DRAW NO. HYC-HDR13200932
X.X ±2 X.XX ±0.15 X.XX ±0.25 X.X ±0.30		CHECKED BY: 马跃 DATE: 2013-09-20	MOLD NO. PART NO. HYC06-HDR15B-060
TOLERANCE: X.X ±0.30 X.XX ±0.25 X.XX ±0.15		DRAWN BY: 吴迪 DATE: 2013-09-20	PART NAME: HDR3.08 母座直锁式

深圳市华宇创精密电子有限公司



共10层



包装说明:

- 数量: 1盘=100Pcs, 一叠10盘=1000Pcs, 一箱2叠=2000Pcs
- 每盘在左上角贴标签(按客户需求), 每10盘为一叠, 一箱两叠放入纸箱, 加干燥剂;
- 包材脏污破损不可使用, 包装过程中注意不可碰伤刮伤产品;
- 外箱材质为A=A, 要求破裂强度为16Kg;

X-ON Electronics

Largest Supplier of Electrical and Electronic Components

Click to view similar products for [HDMI, Displayport & DVI Connectors](#) category:

Click to view products by [HOAUC](#) manufacturer:

Other Similar products are found below :

[1775247-3](#) [2-1932649-5](#) [30-1231](#) [30-528](#) [2069485-1](#) [30-504](#) [30-519](#) [30-542](#) [47648-2000](#) [2002-400](#) [TC142X](#) [1453G1](#) [769-103/021-000](#)
[1932649-1](#) [233-368NFG6-17NH](#) [G45A19071083HR](#) [233-360NF00-17NH](#) [CP30200GM3B](#) [HYC02-DVI29-371](#) [P136-06NHDV4KBP](#)
[CP30116](#) [LTWDID-29PFFS-SL8001](#) [46765-1301](#) [1211-0010-201-001](#) [47271-1004](#) [32-1121-BU](#) [DS1117-BN0-TME-002](#) [MHDR2A11004BP](#)
[EHHDMI2PKG](#) [1903015-3](#) [DS1114-BN0](#) [WPUSBAF](#) [500254-1931](#) [HDMR-19-01-F-SM](#) [47151-1071](#) [1747981-1](#) [0480372000](#) [0482580001](#)
[D121073-19](#) [472710111](#) [HDMI-S-RA6-SMT-MF-15](#) [P142-000-UP](#) [P134-003](#) [P120-08N](#) [KDMIX-FS1V-WS-B](#) [P142-000-UD](#) [10029449-](#)
[101RLF](#) [P132-000](#) [P130-000](#) [P142-06N-MICRO](#)