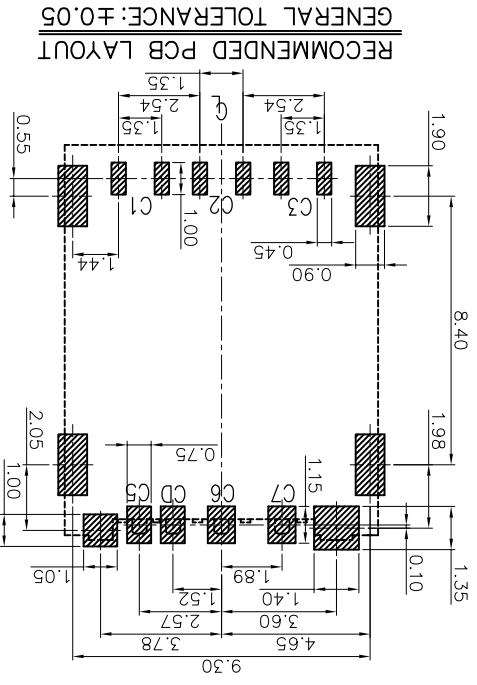
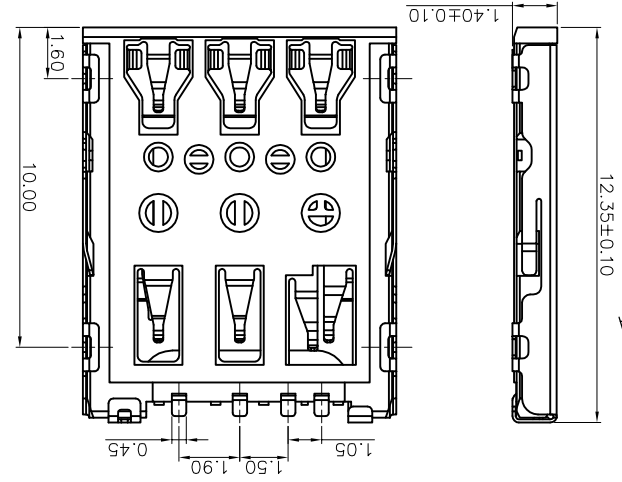
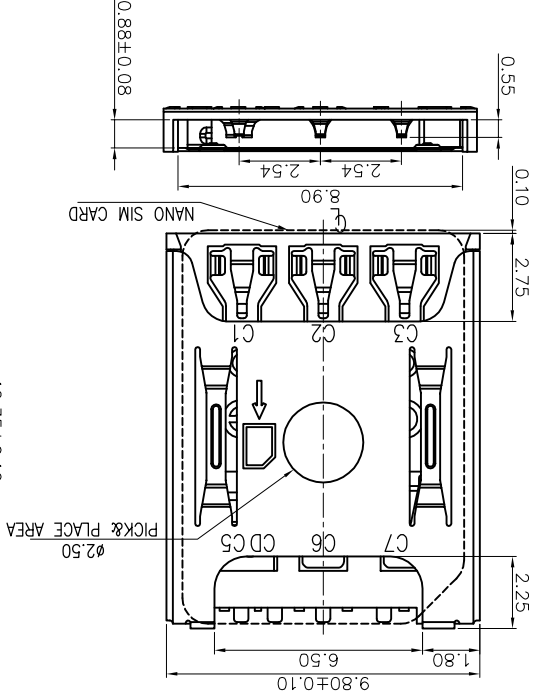


PIN ON	NAME
C1	VCC (SUPPLY VOLTAGE)
C2	RST (RESET SIGNAL)
C3	CLK (CLOCK SIGNAL)
CD	DETECT SWITCH
C5	GND
C6	VFP (VARIABLE SUPPLY BOLTAGE)
C7	I/O (DATE INPUT/OUTPUT)



RECOMMENDED PCB LAYOUT
GENERAL TOLERANCE: ±0.05

TOLERANCE:
X.X ±0.30
X.XX ±0.25
X.XXX ±0.15
X.X ±2
X.X ±0.5



HOUBU

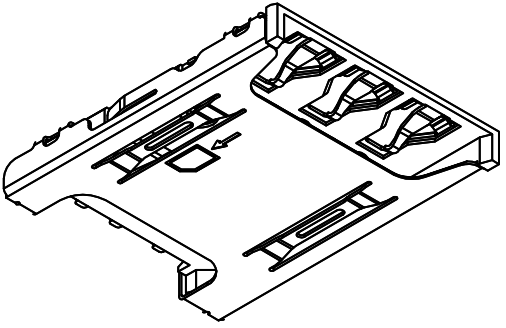
SCALE:1:1 SIZE: A4
UNIT: mm [inch]

DRAWN BY: 陈一鸣
CHECKED BY: 马跃
APPROVED BY: 柯南

DATE: 2014-02-23
DATE: 2014-02-23
DATE: 2014-02-23

PART NAME: NANO SIM 7P 1.4H 直插式
PART NO.: HYC244-SIM07-140
MOLD NO.:
DRAW NO.: HYC-1912201715
SHEET NO.: 1 OF 1

- NOTES:
- MATERIAL:
1-1 HOUSING: THERMOPLASTIC, UL94 V-0 . COLOR; BLACK
1-2 SHELL; STAINLESS STEEL
1-3 CONTACT; COPPER ALLOY
 - FINISH:
2-1 CONTACT: 1u" AU MIN. ON CONTACT AREA
GOLD FLASH ON SOLD AREA.
50u" NI MIN. UNDERPLATING OVER ALL
 - PRODUCT SPECIFICATIONS:
2-2 SHELL: GOLD FLASH ON SOLD AREA
2-3 CURRENT RATING: 0.5A
2-4 INSULATION RESISTANCE: 1000MEG.OHM MIN AT DC 500V
2-5 CONTACT RESISTANCE: 100 MILL.OHM MAX
2-6 OPERATION TEMPERATURE: -40. TO +60°
2-7 DURABILITY: 5000 CYCLES



深圳市华宇创精密电子有限公司

X-ON Electronics

Largest Supplier of Electrical and Electronic Components

Click to view similar products for [Standard Card Edge Connectors](#) category:

Click to view products by [HOAUC](#) manufacturer:

Other Similar products are found below :

[6565204-6](#) [PKC-156](#) [1437274-4](#) [147889-1](#) [1489165-4](#) [EBT156-12B1X](#) [EBT15622B2X](#) [EBT156-22R2W](#) [1-582587-1](#) [1-582589-1](#) [2-6437275-9](#) [284-0102-12100](#) [306022901000000](#) [307-012-502-202](#) [307-024-526-201](#) [307-056-520-300](#) [307-080-526-208](#) [1926088-2](#) [245-062-520-350](#) [287-0032-12101](#) [306-010-500-112](#) [306-028-525-102](#) [306-240-318](#) [307-036-502-202](#) [307-036-521-301](#) [307-072-526-202](#) [345-060-559-303](#) [368-004-520-201](#) [392-008-559-201](#) [534671-1](#) [5-530501-5](#) [341-240-317](#) [345-029-520-300](#) [345-030-500-301](#) [345-044-500-300](#) [345-220-058](#) [346-240-318](#) [357-030-526-201](#) [387-012-523-300](#) [395-044-520-300](#) [395-100-524-300](#) [50-12B-10](#) [50-6SN-5](#) [09-07-2032](#) [10035388-106LF](#) [10035388-802LF](#) [10115859-011LF](#) [10122859-009LF](#) [101269333204245CLF](#) [10127905-B04B24BLF](#)