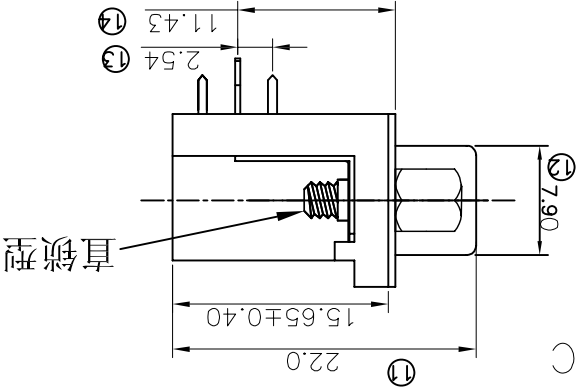
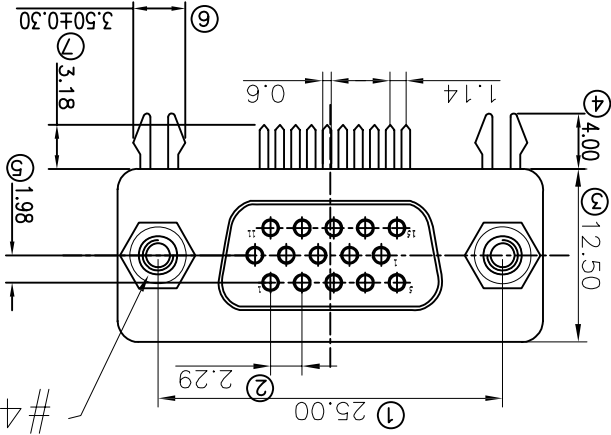
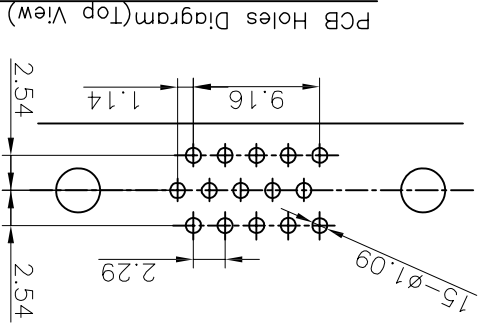
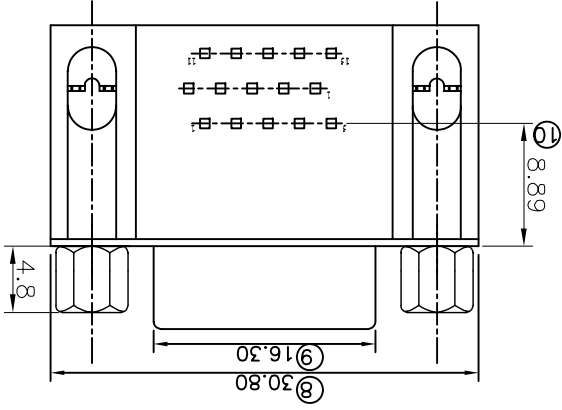
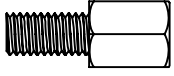


深圳市华宇创精密电子有限公司



SCALE:1:1 SIZE: A4		UNIT: mm [inch]	
X: ±2 X.X ±0.5		X.XX ±0.15	
X.X ±0.30		X.XX ±0.25	
TOLERANCE:			
DRAWN BY: 陈一鸣	DATE: 2014-02-23	CHECKED BY: 马跃	DATE: 2014-02-23
PART NAME: HDR-15F直锁型8.89		MOLD NO. HYC42-HDR15B-889	
SHEET NO. 1 OF 1		DRAW NO. HVC-VGA17031615	

4.75*4.80*11.80



#4-40UNC

直锁型

NOTES:
 *HOUSING: PBT+30%G/F UL94V-0 color:BLACK
 *CONTACT: BRASS T=0.3
 *SHELL: SPCC T=0.3
 *SCREW: SPCC
 *GROUNDING: SPCC T=0.5
 *ELECTRIC CHARACTERISTICS:
 CONTACT CURRENT RATING: 3.0A MAX.;
 CONTACT VOLTAGE RATING: 100V DC;
 CONTACT RESISTANCE: 30mΩ MAX.;
 DIELECTRIC WITHSTANDING VOLTAGE: 500V AC/60S;
 INSULATION RESISTANCE: 1000 MΩ MIN. AT DC 500V .
 *MECHANICAL CHARACTERISTICS:
 DURABILITY: 5000 CYCLES;
 INSERTION AND EXTRACTION FORCE:
 INSERTION FORCE: 50N MAX.
 EXTRACTION FORCE: 15N MIN.
 *ENVIRONMENT CHARACTERISTICS:
 OPERATING TEMPERATURE: -25℃~+70℃
 HUMIDITY: 45-85% RH.
 CONTACT: UNDER PLATED 50u MIN NI
 OVER ALL 100u MIN TIN IN SOLDERING AREA OR
 CONTACT AREA
 SHELL: UNDER PLATED 50u MIN Cu. OVER ALL
 MIN NICKEL
 SCREW: UNDER PLATED 50u MIN Cu. OVER ALL
 80u MIN NICKEL
 GROUNDING: UNDER PLATED 50u MIN Cu.
 UNDER PLATED 50u MIN NICKEL. OVER ALL
 100u MIN TIN IN SOLDERING AREA.

X-ON Electronics

Largest Supplier of Electrical and Electronic Components

Click to view similar products for [HDMI, Displayport & DVI Connectors](#) category:

Click to view products by [HOAUC](#) manufacturer:

Other Similar products are found below :

[1775247-3](#) [2-1932649-5](#) [30-1231](#) [30-528](#) [2069485-1](#) [30-504](#) [30-519](#) [30-542](#) [47648-2000](#) [2002-400](#) [TC142X](#) [1453G1](#) [769-103/021-000](#)
[1932649-1](#) [233-368NFG6-17NH](#) [G45A19071083HR](#) [233-360NF00-17NH](#) [CP30200GM3B](#) [HYC02-DVI29-371](#) [P136-06NHDV4KBP](#)
[CP30116](#) [LTWDID-29PFFS-SL8001](#) [46765-1301](#) [1211-0010-201-001](#) [47271-1004](#) [32-1121-BU](#) [DS1117-BN0-TME-002](#) [MHDR2A11004BP](#)
[EHHDMI2PKG](#) [1903015-3](#) [DS1114-BN0](#) [WPUSBAF](#) [500254-1931](#) [HDMR-19-01-F-SM](#) [47151-1071](#) [1747981-1](#) [0480372000](#) [0482580001](#)
[D121073-19](#) [472710111](#) [HDMI-S-RA6-SMT-MF-15](#) [P142-000-UP](#) [P134-003](#) [P120-08N](#) [KDMIX-FS1V-WS-B](#) [P142-000-UD](#) [10029449-](#)
[101RLF](#) [P132-000](#) [P130-000](#) [P142-06N-MICRO](#)