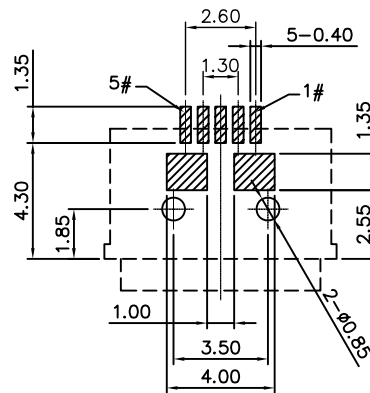
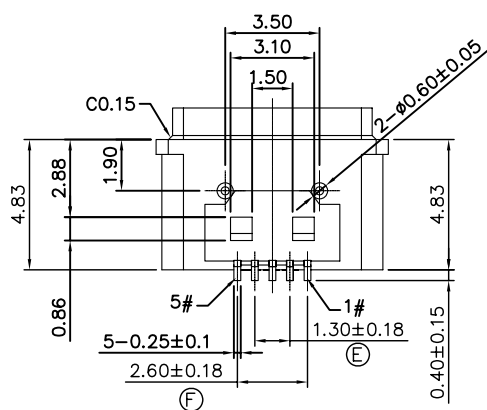


**SPECIFICATION:**

1. Electrical characteristics
  - 1-1. Current rating:  
Signal (Pins 2,3,4): DC 1A  
Power (Pins 1,5) :DC 1.8A
  - 1-2. Voltage rating: AC 30V.
  - 1-3. Contact resistance:  
30mΩ max(initial).  
50mΩ max(After Durability)
  - 1-4. Insulation resistance:  
100MΩ min. at 500V DC.
  - 1-5. Withstanding voltage:  
100V AC for 1 minute.
2. Mechanical characteristics
  - 2-1. Life test: 5000 cycles min.
  - 2-2. Mating force: 35N Max,  
Unmating force: 8N Min(initial).  
6N Min(after life test).
3. Temperature range: -40°C~+80°C
4. Dustproof and waterproof grade: IP67



Recommended P.C.B. Layout  
Unspecified tolerance: ±0.05  
(Top view)

Contact Number	Signal Name	Remarks
1#	VBUS	Power
2#	D-	Date-
3#	D+	Date+
4#	ID	Reserve or Gound
5#	GND	Gound

NO.	DESCRIPTION	QTY	MATERIAL	REMARK
⑦	Oval ring	1	Rubber	White
⑥	Glue	1	-----	Black
⑤	Screw	2	Brass	Nickel plated
④	Inner shell	1	Copper alloy or stainless steel	Nickel plated
③	Terminal	5	Copper alloy, 0.15t	Gold Plated On Contact Area.
②	Outer shell	1	High temperature thermoplastic	Black
①	Body	1	High temperature thermoplastic	Black



深圳市华宇创精密电子有限公司

TOLERANCE: X.X ±0.30 X.XX ±0.25 X.XXX ±0.15 X.° ±2°    X.X° ±0.5°	DRAWN BY: 陈一鸣	DATE: 2014-02-23	PART NAME: MICRO USB 5P 带防水胶圈板上SMT	
	CHECKED BY: 马跃	DATE: 2014-02-23	PART NO. HWCW148-USB05-117B	MOLD NO.
UNIT: mm [inch] SCALE: 1:1    SIZE: A4	APPROVED BY: 邱敏	DATE: 2014-02-23	DRAW NO. HYC-USB17071916	SHEET NO. 1 OF 1

## X-ON Electronics

Largest Supplier of Electrical and Electronic Components

*Click to view similar products for [USB Connectors](#) category:*

*Click to view products by [HOAUC](#) manufacturer:*

Other Similar products are found below :

[950](#) [A-USB B-TOP-C](#) [MUSBA511N5](#) [MUSBC111M5](#) [MUSBD11135](#) [17-200721](#) [217450-1](#) [KMBVX-TH-5S-B30](#) [896-30-004-00-000000](#)  
[KUSBX-AS2N-W](#) [KUSBX-SMT2AP1S-W30](#) [935](#) [957](#) [30-498-6](#) [SK-60A-2](#) [1734082-1](#) [CIR06R-18-12S-F80-T12-26](#) [CIR08F-20](#) [30-1574](#)  
[30-470](#) [30-489](#) [30-541](#) [MAB 5 S](#) [A-USB A-2P-C](#) [MIKROE-1451](#) [USBFTV2PEM2G](#) [USBFTVC6ZN](#) [USBFTVSCCG](#) [4689-1](#) [1-1734084-2](#)  
[MUSBC11135](#) [CIR08F-20-27P-F80-VO](#) [USBF21ZNSCC](#) [USBBFTV6ZC](#) [10135326-001LF](#) [M9177/3-1](#) [USB-A-S-F-B-VT](#) [4198](#) [1310-1018-](#)  
[05](#) [690-024-633-031](#) [UB-20PMFP-LC7001](#) [UA-20BMFA-SL8001](#) [17-200011](#) [USBFTVC7ZC](#) [UB-20AFMM-LL7A01](#) [USBFTVC2MN](#)  
[CAP-WCCMLPB1](#) [CAP-WCCMLPC1](#) [1310-1031-01](#) [2041386-1](#)