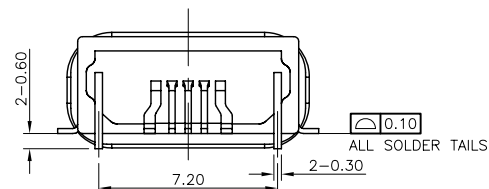
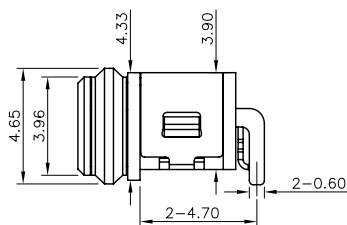
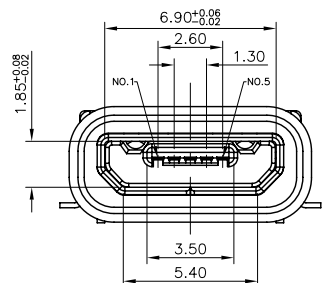
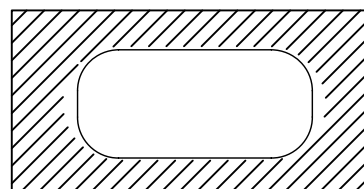
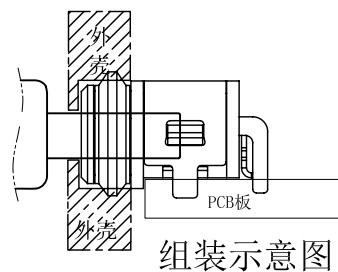
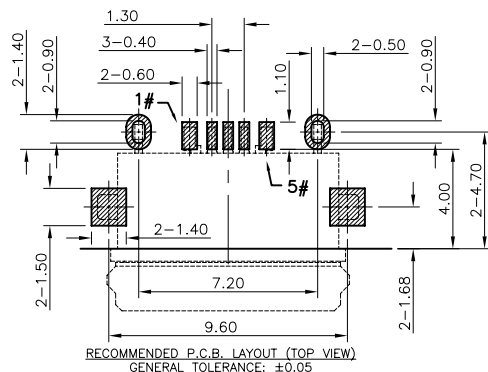


3D VIEW

Contact Number	Signal Name	Remarks
1#	VBUS	Power
2#	D-	Date-
3#	D+	Date+
4#	ID	Reserve or Ground
5#	GND	Ground



NO.	DESCRIPTION	QTY	MATERIAL	REMARK
①	Oval ring	1	Rubber	Black
②	Glue	1	-----	Black
③	U-shaped frame	1	Copper alloy or stainless	Nickel plated
④	Inner shell	1	Copper alloy or stainless	Nickel plated
⑤	Terminal	5	Copper alloy, 0.15t	Gold Plated On Contact Area
⑥	Outer shell	1	High temperature thermoplastic	Black
⑦	Body	1	High temperature thermoplastic	Black



建议开槽尺寸
单边放大0.2mm

SPECIFICATIONS:

1. ELECTRICAL CHARACTERISTICS:

- 1.1. RATING: 3A(PIN1&5),0.5A(PIN2&3&4);
- 1.2. CONTACT RESISTANCE: 30 mΩ MAX.(INITIAL);
- 1.3. DIELECTRIC WITHSTANDING: 500V AC MIN.;
- 1.4. INSULATION RESISTANCE: 1000MΩ MIN.;
2. DURABILITY: 10,000 CYCLES MIN.;
3. INSERTION FORCE: 3.5Kgf (35N) Max.;
4. EXTRACTION FORCE: 0.8Kgf (8N) Min.;
5. WATER PROOFNESS: THIS PRODUCT IS BASED ON IPX7(1m,30min)
6. PLUG INTERFACE DIMENSIONS CONFORM TO USB2.0 SPEC.
7. PACKAGING: TAPE & REEL.



深圳市华宇创精密电子有限公司

TOLERANCE: X.X ±0.30 X.XX ±0.25 X.XXX ±0.15 X' ±2' X.X' ±0.5'	DRAWN BY : 陈一鸣	DATE : 2014-02-23	PART NAME: MICRO USB 5P B口 带防水胶圈 前贴后插
	CHECKED BY: 马跃	DATE : 2014-02-23	PART NO. HVCW196-USB05-720B
UNIT: mm [inch] SCALE:1:1 SIZE: A4	APPROVED BY: 邱敏	DATE : 2014-02-23	DRAW NO: HVC-USB18090418
			SHEET NO. 1 OF 1

X-ON Electronics

Largest Supplier of Electrical and Electronic Components

Click to view similar products for [USB Connectors](#) category:

Click to view products by [HOAUC](#) manufacturer:

Other Similar products are found below :

[950](#) [A-USB B-TOP-C](#) [MUSBA511N5](#) [MUSBC111M5](#) [MUSBD11135](#) [17-200721](#) [217450-1](#) [KMBVX-TH-5S-B30](#) [896-30-004-00-000000](#)
[KUSBX-AS2N-W](#) [KUSBX-SMT2AP1S-W30](#) [935](#) [957](#) [30-498-6](#) [SK-60A-2](#) [1734082-1](#) [30-1574](#) [30-470](#) [30-489](#) [30-541](#) [A-USB A-2P-C](#)
[MIKROE-1451](#) [USBFTV2PEM2G](#) [USBFTVSCCG](#) [4689-1](#) [1-1734084-2](#) [MUSBC11135](#) [USBF21ZNSCC](#) [USBBFTV6ZC](#) [MUSBB151341](#)
[10135326-001LF](#) [M9177/3-1](#) [TJ-105](#) [USB-A-S-F-B-VT](#) [4198](#) [690-024-633-031](#) [UB-20PMFP-LC7001](#) [USBFTVC6MRG](#) [UA-20BMFA-](#)
[SL8001](#) [17-200011](#) [USBFTVC7ZC](#) [UB-20AFMM-LL7A01](#) [USBFTVC2MN](#) [CAP-WCCMLPB1](#) [1310-1031-01](#) [2041386-1](#) [2274475-3](#) [UB-](#)
[20BMFA-SL8001](#) [UB-20PMFP-SC8003](#) [914-614A2025S10200](#)