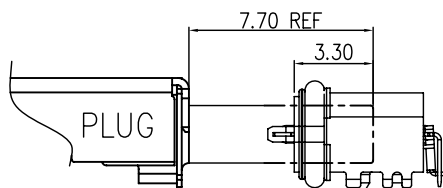
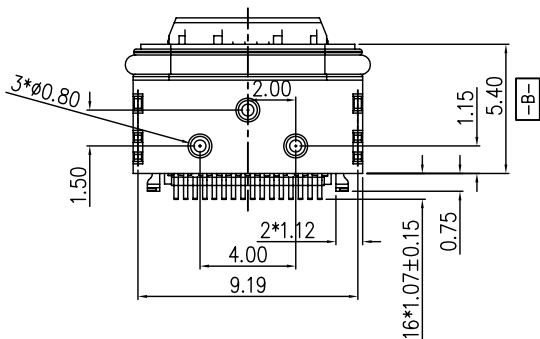
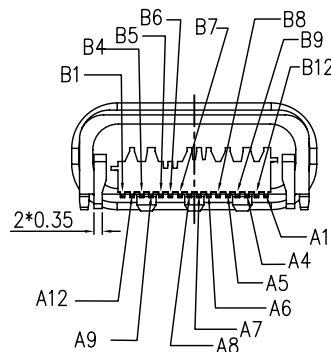
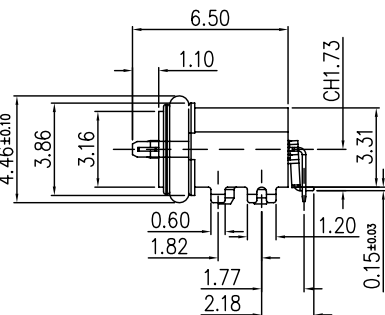
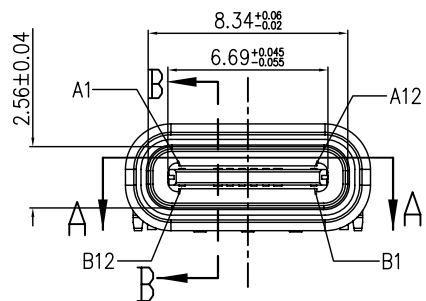


| TABLE | | | | | |
|-------|----------------|------|--------------|----------------------------------|--|
| ITEM | PART NAME | QTY | MATERIAL | REMARK | |
| 1 | SHELL | 1PCS | STAINLESS | NICKEL PLATED 50u" MIN. OVER ALL | |
| 2 | INSERT HOUSING | 1PCS | PA10T | UL94V-0 | |
| 3 | Mid-PLATE | 1PCS | STAINLESS | NI PLATED 50u" MIN. OVER ALL | |
| 4 | TOP CONTACT | 1SET | COPPER ALLOY | SEE NOTES | |
| 5 | BOTTOM CONTACT | 1SET | COPPER ALLOY | | |
| 6 | RUBBER RING | 1PCS | SILICA GEL | BLACK | |



NOTES:

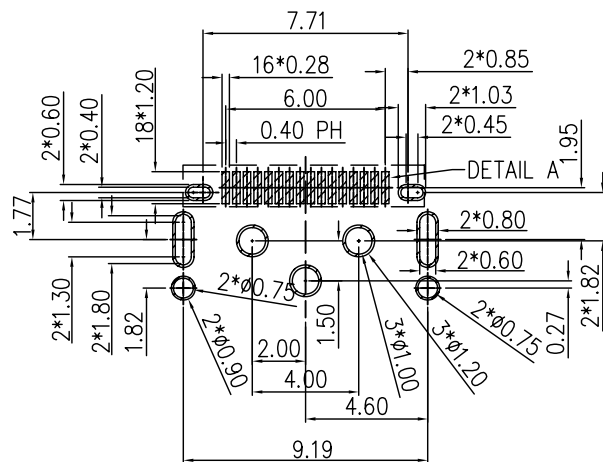
1.ELECTRICAL:

- 1.1.CONTACT CURRENT RATING 5.0A FOR VBUS AND GND(PINS A4 A9 B4 B9)
- 1.2. INSULATION RESISTANCE: 100 MEGAOHMS MIN. AT 250VDC.
- 1.3.DIELECTRIC WITHSTANDING VOLTAGE: 100VAC MIN.
- 1.4.LOW CONTACT RESISTANCE: INITIAL 40mΩ MAX. AFTER 50mΩ MAX.
2. MECHANICAL CHARACTERISTICS:
 - 2.1.INSERTION FORCE:5N~20N.
 - 2.2.EXTRACTION FORCE: 8N~20N FORM 1 TO 1000CYCLES. 6~20N FORM 1001 TO 10000CYCLES.
 - 2.3.DURABILITY:10,000 MATING CYCLES
 - 2.4.OPERATING TEMPERATURE:-55°C TO +85°C
3. COPLANARITY:0.08MAX.

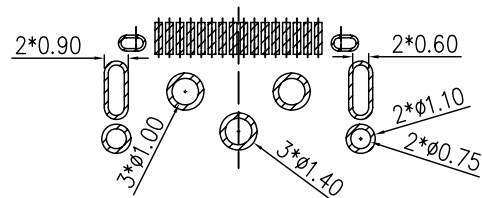


深圳市华宇创精密电子有限公司

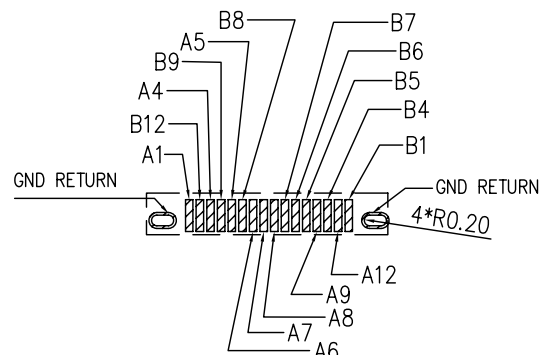
| | | | |
|---|--------------------|----------------------|---|
| TOLERANCE: X.X ±0.30 X.XX ±0.25 X.XXX ±0.15 X' ±2' X.X' ±0.5' | DRAWN BY : 陈一鸣 | DATE : 2014-02-23 | PART NAME: 防水USB TYPE C 板上型16P L6.5 电流5A |
| | CHECKED BY: 马跃 | DATE : 2014-02-23 | PART NO. HYCW212-USBC16-650B |
| UNIT: mm [inch] SCALE:1:1 SIZE: A4 | APPROVED BY: 邱敏 | DATE : 2014-02-23 | DRAW NO: HYC-USB190704115 |
| | | | SHEET NO. 1 OF 1 |



RECOMMENDED PCB LAYOUT
GENERAL TOLERANCE ±0.05



RECOMMENDED STENCIL LAYOUT
TOLERANCE±0.05



DETAIL A
SCALE 1:1

| PIN | SIGNAL NAME | PIN | SIGNAL NAME |
|-----|-------------|-----|-------------|
| A1 | GND | B12 | GND |
| A2 | | B11 | |
| A3 | | B10 | |
| A4 | VBUS | B9 | VBUS |
| A5 | CC1 | B8 | SBU2 |
| A6 | Dp1 | B7 | Dn2 |
| A7 | Dn1 | B6 | Dp2 |
| A8 | SBU1 | B5 | CC2 |
| A9 | VBUS | B4 | VBUS |
| A10 | | B3 | |
| A11 | | B2 | |
| A12 | GND | B1 | GND |

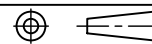


深圳市华宇创精密电子有限公司

TOLERANCE:

X.X ±0.30
X.XX ±0.25
X.XXX ±0.15

X' ±2' X.X' ±0.5'



UNIT: mm [inch]

SCALE:1:1 SIZE: A4

DRAWN BY :

陈一鸣

DATE :

2014-02-23

PART NAME:

防水USB TYPE C 板上型16P L6.5 电流5A

CHECKED BY:

马跃

DATE :

2014-02-23

PART NO.

HWCW212-USBC16-650B

MOLD NO.

APPROVED BY:

邱敏

DATE :

2014-02-23

DRAW NO:

HYC-USB190704115

SHEET NO.

1 OF 1

X-ON Electronics

Largest Supplier of Electrical and Electronic Components

Click to view similar products for [USB Connectors](#) category:

Click to view products by [HOAUC](#) manufacturer:

Other Similar products are found below :

[950](#) [A-USB B-TOP-C](#) [MUSBA511N5](#) [MUSBC111M5](#) [MUSBD11135](#) [17-200721](#) [217450-1](#) [KMBVX-TH-5S-B30](#) [896-30-004-00-000000](#)
[KUSBX-AS2N-W](#) [KUSBX-SMT2AP1S-W30](#) [935](#) [957](#) [30-498-6](#) [SK-60A-2](#) [1734082-1](#) [30-1574](#) [30-470](#) [30-489](#) [30-541](#) [A-USB A-2P-C](#)
[MIKROE-1451](#) [USBFTV2PEM2G](#) [USBFTVSCCG](#) [4689-1](#) [1-1734084-2](#) [MUSBC11135](#) [USBF21ZNSCC](#) [USBBFTV6ZC](#) [MUSBB151341](#)
[10135326-001LF](#) [M9177/3-1](#) [TJ-105](#) [USB-A-S-F-B-VT](#) [4198](#) [690-024-633-031](#) [UB-20PMFP-LC7001](#) [USBFTVC6MRG](#) [UA-20BMFA-](#)
[SL8001](#) [17-200011](#) [USBFTVC7ZC](#) [UB-20AFMM-LL7A01](#) [USBFTVC2MN](#) [CAP-WCCMLPB1](#) [1310-1031-01](#) [2041386-1](#) [2274475-3](#) [UB-](#)
[20BMFA-SL8001](#) [UB-20PMFP-SC8003](#) [914-614A2025S10200](#)