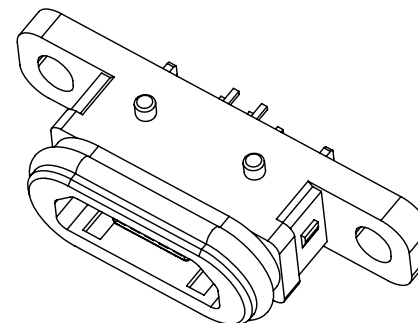


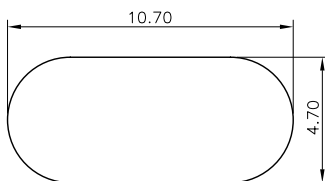
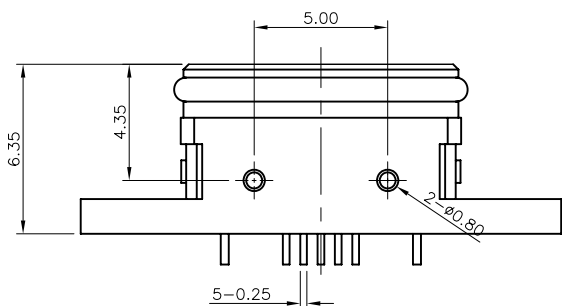
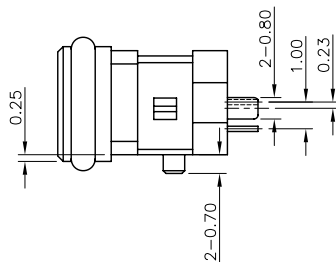
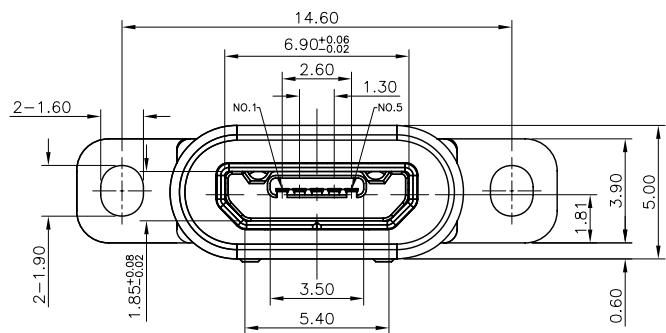
RECOMMENDED P.C.B. LAYOUT (TOP VIEW)
GENERAL TOLERANCE: ±0.05



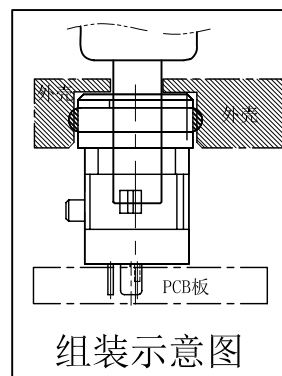
3D VIEW

SPECIFICATIONS:

1. ELECTRICAL CHARACTERISTICS:
 1.1. RATING: 1.5A;
 1.2. CONTACT RESISTANCE: 30 mΩ MAX.(INITIAL);
 1.3. DIELECTRIC WITHSTANDING: 500V AC MIN.;
 1.4. INSULATION RESISTANCE: 1000MΩ MIN.;
 2. DURABILITY: 5,000 CYCLES MIN.;
 3. INSERTION FORCE: 3.5Kgf (35N) Max.;
 4. EXTRACTION FORCE: 0.8Kgf (8N) Min;
 5. WATER PROOFNESS: THIS PRODUCT IS BASED ON IPX8.
 6. PLUG INTERFACE DIMENSIONS CONFORM TO USB2.0 SPEC.
 7. PACKAGING: TAPE & REEL.



开孔尺寸参考
组装外壳时需要打环润滑油



组装示意图

Contact Number	Signal Name	Remarks
1#	VBUS	Power
2#	D-	Date-
3#	D+	Date+
4#	ID	Reserve or Gound
5#	GND	Gound

NO.	DESCRIPTION	QTY	MATERIAL	REMARK
⑥	Oval ring	1	Rubber	Black
⑤	Glue	1	-----	Black
④	Inner shell	1	Copper alloy or stainless	Nickel plated
③	Terminal	5	Copper alloy, 0.15t	Gold Plated On Contact Area.
②	Outer shell	1	High temperature thermoplastic	Black
①	Body	1	High temperature thermoplastic	Black



深圳市华宇创精密电子有限公司

TOLERANCE: X.X ±0.30 X.XX ±0.25 X.XXX ±0.15 X' ±2' X.X' ±0.5'	DRAWN BY : 陈一鸣	DATE : 2014-02-23	PART NAME: MICRO USB 5P B口防水 带耳朵立式180°
	CHECKED BY: 马跃	DATE : 2014-02-23	PART NO. HYCW219-USB05-075B
UNIT: mm [inch] SCALE:1:1 SIZE: A4	APPROVED BY: 柯南	DATE : 2014-02-23	DRAW NO: HYC-USB19022817
			SHEET NO. 1 OF 1

X-ON Electronics

Largest Supplier of Electrical and Electronic Components

Click to view similar products for [USB Connectors](#) category:

Click to view products by [HOAUC](#) manufacturer:

Other Similar products are found below :

[950](#) [A-USB B-TOP-C](#) [MUSBA511N5](#) [MUSBC111M5](#) [MUSBD11135](#) [17-200721](#) [217450-1](#) [KMBVX-TH-5S-B30](#) [896-30-004-00-000000](#)
[KUSBX-AS2N-W](#) [KUSBX-SMT2AP1S-W30](#) [935](#) [957](#) [30-498-6](#) [SK-60A-2](#) [1734082-1](#) [CIR06R-18-12S-F80-T12-26](#) [CIR08F-20](#) [30-1574](#)
[30-470](#) [30-489](#) [30-541](#) [MAB 5 S](#) [A-USB A-2P-C](#) [MIKROE-1451](#) [USBFTV2PEM2G](#) [USBFTVC6ZN](#) [USBFTVSCCG](#) [4689-1](#) [1-1734084-2](#)
[MUSBC11135](#) [CIR08F-20-27P-F80-VO](#) [USBF21ZNSCC](#) [USBBFTV6ZC](#) [10135326-001LF](#) [M9177/3-1](#) [USB-A-S-F-B-VT](#) [4198](#) [1310-1018-](#)
[05](#) [690-024-633-031](#) [UB-20PMFP-LC7001](#) [UA-20BMFA-SL8001](#) [17-200011](#) [USBFTVC7ZC](#) [UB-20AFMM-LL7A01](#) [USBFTVC2MN](#)
[CAP-WCCMLPB1](#) [CAP-WCCMLPC1](#) [1310-1031-01](#) [2041386-1](#)