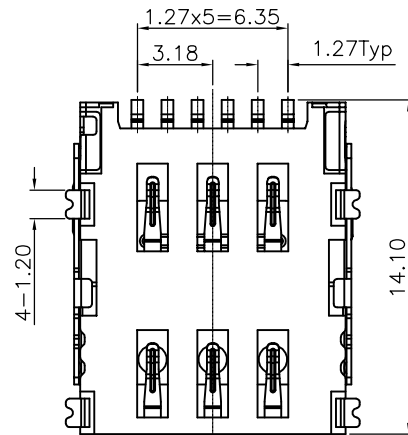
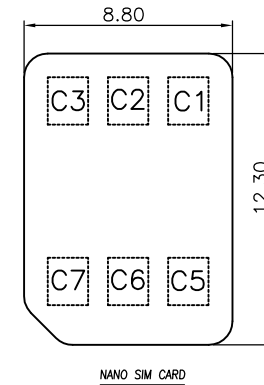


RECOMMENDED PCB LAYOUT  
GENERAL TOLERANCE ±0.05

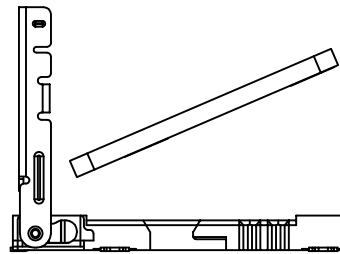


SIM CARD	
Pin No.	NAME
C1	VCC
C2	RST
C3	CLK
C5	GND
C6	VPP
C7	I/O

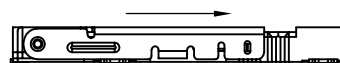


NOTES:

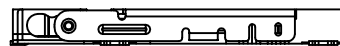
- ELECTRICAL CHARACTERISTICS
  - 1-1. CONTACT RESISTANCE: 60 Milliohms Max
  - 1-2. INSULATION RESISTANCE: 1,000 Megohms Min.
  - 1-3. VOLTAGE RATING: 50V.
  - 1-4. CURRENT RATING: 1.0A.
- MECHANICAL CHARACTERISTICS
  - 2-1. OPERATION TEMPERATURE RANGE: -20°C~+85°C
  - 2-2. DURABILITY: 5000 CYCLES
- MATERIAL:
  - 3-1. HOUSING: THERMOPLASTIC,UL 94-V0
  - 3-2. TERMINAL: PHOSPHOR BRONZE,T=0.15
  - 3-3. SHELL: STAINLESS STEEL,T=0.20
- FINISHED:
  - 4-1. TERMINAL: Ni PLATED UNDER, 3U" Au MIN PLATED ON CONTACT AREA,AU PLATED ON SOLDER TAIL



STEP 1 INSERT Micro-SIM CARD



STEP 2 PUSH THE SHELL



STEP 3 FINISH



深圳市华宇创精密电子有限公司

TOLERANCE: X.X ±0.30 X.XX ±0.25 X.XXX ±0.15 X: ±2° X.X' ±0.5°	DRAWN BY : 陈一鸣	DATE : 2014-02-23	PART NAME: NANO SIM 6P 掀盖1.5H
	CHECKED BY: 马跃	DATE : 2014-02-23	PART NO. HYCW300-SIM06-150B
UNIT: mm [inch] SCALE:1:1 SIZE: A4	APPROVED BY: 邱敏	DATE : 2014-02-23	DRAW NO: HYC-2111161448
			SHEET NO. 1 OF 1

## X-ON Electronics

Largest Supplier of Electrical and Electronic Components

*Click to view similar products for [Memory Card Connectors](#) category:*

*Click to view products by [HOAUC](#) manufacturer:*

Other Similar products are found below :

[M21-033321-005](#) [6407-249V-25273P](#) [6407-249V-25343P](#) [69.920.0553.0](#) [809180410000000](#) [DM3AT-SF-PEJM5\(41\)](#) [HMCAP001](#) [252-0144-000](#) [2041353-2](#) [308-DS1P0811-192](#) [33CFAE-DN](#) [HM2P09PDR360N9LF](#) [502431-1011](#) [10-629549-258N](#) [11327-001](#) [11327-002](#) [617230001](#) [95622-003LF](#) [N7E50-U516RB-50-SIN0005](#) [95079-00CALF](#) [84648-056HLF](#) [93-570123-08P](#) [125A-78C00](#) [MI20A-50PD-SF-EJL\(71\)](#) [KP10S-SF-PEJ\(812\)](#) [504536-0691](#) [CCM03-3109 B LFT](#) [MI21-50PD-SF\(91\)](#) [2309923-1](#) [61126-050CAHLF](#) [IC1GA-68PD-1.27DS-EJ\(72\)](#) [GTFF08432B1HR](#) [G85DT17001P1EU](#) [G85C11101152HHR](#) [G85D1160022HHR](#) [KP15TL-SF\(800\)](#) [KP10BH-8S-SF\(800\)](#) [SCE2MSDB76A121SN](#) [SCE2MSDZN76A121SN](#) [C00710B0250001](#) [CCM01-2664 LFT T25](#) [47309-2651](#) [47481-0001](#) [055036006202862+](#) [67799-0004](#) [91228-3006](#) [104168-1616](#) [104C-TAA1](#) [112I-TA01](#) [112K-TAA0-RA1](#)