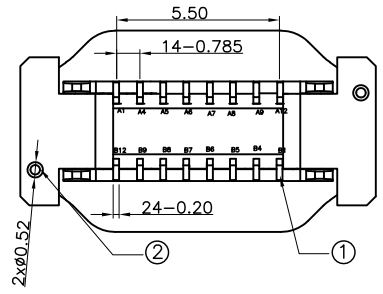
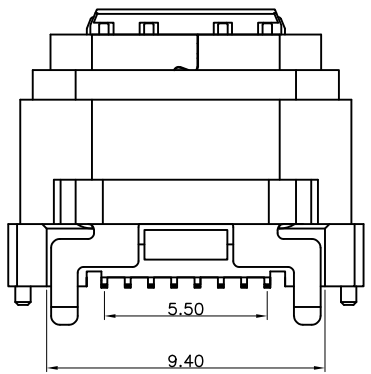
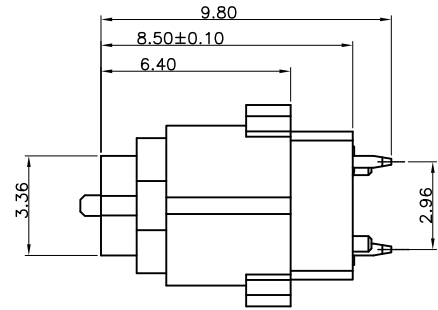
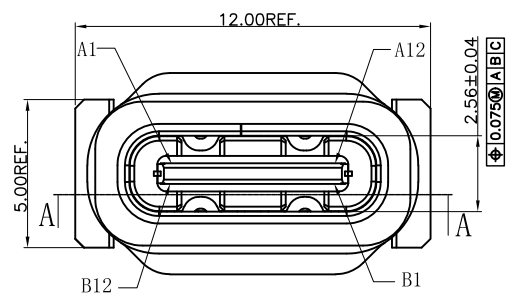


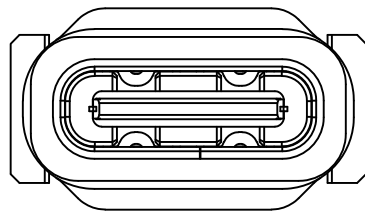
NOTE:  
 1. MATERIAL:  
 1.1 INSULATOR: HIGH TEMPERATURE PLASTIC UL 94 V-0; Black Color  
 1.2 CONTACT: C7025 (T=0.12mm)  
 1.3 SHELL: STAINLESS STEEL (T=0.40mm)  
 1.4 MID PLATE: STAINLESS STEEL (T=0.15mm)  
 2. ELECTRICAL CHARACTERISTICS:  
 2.1 CONTACT RESISTANCE: 40mΩ Max FOR INITIAL, 10mΩ CHANGE AFTER TEST. MEASURE AT 20mV, 100mA.  
 2.2 CONTACT CURRENT RATING: 5A FOR COLLECTIVELY POWER SUPPLY PIN (PIN1, A4, A9, A12, B1, B4, B9, B12); 1.25A FOR VCONN PIN; 0.25A FOR OTHER SIGNAL PIN.  
 2.3 DIELECTRIC WITHSTANDING VOLTAGE: 100V AC R.M.S.  
 2.4 INSULATION RESISTANCE 100MΩ Min  
 2.5 OPERATING TEMPERATURE: -40° C ~ 85° C  
 3. MECHANICAL CHARACTERISTICS:  
 3.1 MATING FORCE: 5~20 N.  
 3.2 UNMATED FORCE: 8~20N INITIAL TEST; 6~20N DURABILITY AFTER TEST  
 3.3 DURABILITY: 10,000 CYCLES  
 4. PLATING  
 4.1 TERMINAL CONTACT: Au 3u'' PLATING ON CONTACT AREA; TIN 80u'' Min TING ON SOLDER TAIL, NI 60u'' Min UNDERPLATING OVERALL.  
 4.2 SHELL: 60u'' Min. NICKEL ALL OVER,  
 4.3 MID PLATE: CLEAN



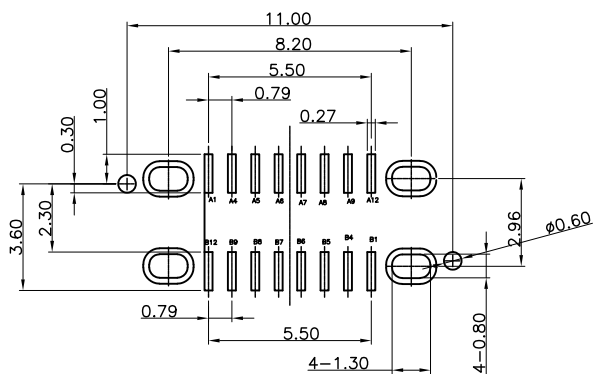
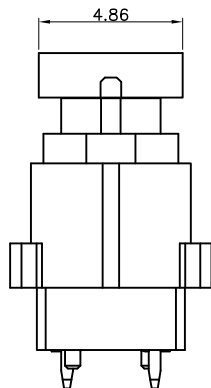
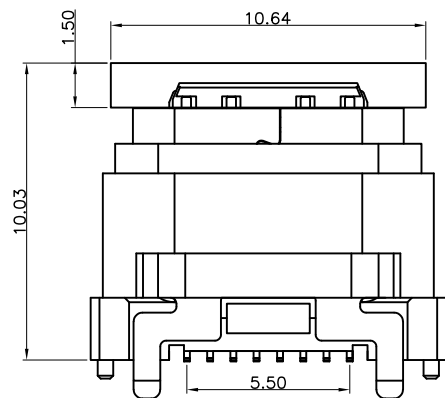
5	CAP	LCP 6007AS UL94V-0	BLACK	1PCS	48H	Reel
4	SHELL	SUS304 T=0.40mm	Ni 50u'' Min Plated	1PCS		
3	LATCH	SUS301-H T=0.15mm	NO PLATED	1PCS		
2	CONTACT	C7025 T=0.12mm	Au 3u'' PLATING ON CONTACT AREA; TIN 80u'' Min TING ON SOLDER TAIL, NI 60u'' Min UNDERPLATING OVERALL	1SET		
1	HOUSING	LCP UL94V-0	LCP BLACK UL94V-0	1PCS		
NO.	DESCRIPTION	MATERIAL	REMARKS	QTY	盐雾	PACKAGING

**深圳市华宇创精密电子有限公司**

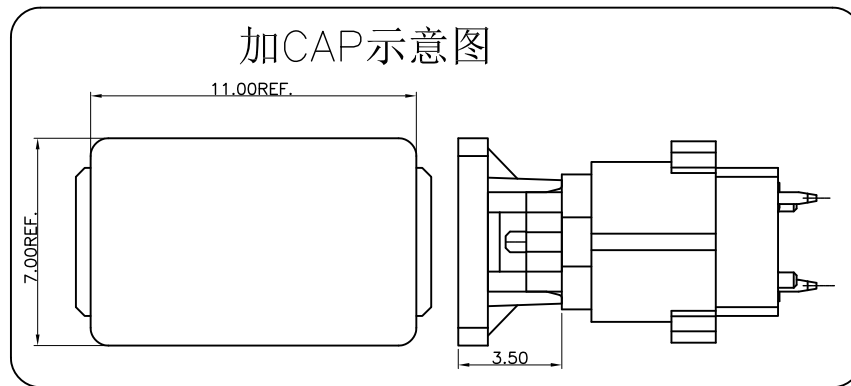
TOLERANCE: X.X ±0.30 X.XX ±0.25 X.XXX ±0.15 X' ±2' X.X' ±0.5' UNIT: mm [inch] SCALE:1:1 SIZE: A4	DRAWN BY:	DATE:	PART NAME:
	陈一鸣	2014-02-23	USB TYPE C 防水母座16P 立贴H=8.5
	CHECKED BY:	DATE:	PART NO.
	马跃	2014-02-23	HVCW395-USBC16-085B
	APPROVED BY:	DATE:	DRAW NO.
	邱敏	2014-02-23	HVC-2212121858
			SHEET NO.
			1 OF 1



加防水圈示意图



RECOMMENDED P.C.B. LAYOUT (T:1.00mm)  
TOLERANCE UNSPECIFIED  $\pm 0.05\text{mm}$



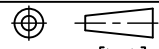
加CAP示意图

USB TYPE-C FULL-FEATURED RECEPTACLE INTERFACE PIN ASSIGNMENTS

PIN	Signal Name	Description	PIN	Signal Name	Description
A1	GND	Ground return	B12	GND	Ground return
A4	V <sub>BUS</sub>	Bus Power	B9	V <sub>BUS</sub>	Bus Power
A5	CC1	Configuration Channel	B8	SBU2	Sideband Use (SBU)
A6	Dp1	Positive half of the USB 2.0 differential pair-Position 1	B7	Dn2	Negative half of the USB 2.0 differential pair-Position 2
A7	Dn1	Negative half of the USB 2.0 differential pair-Position 1	B6	Dp2	Positive half of the USB 2.0 differential pair-Position 2
A8	SBU1	Sideband Use (SBU)	B5	CC2	Configuration Channel
A9	V <sub>BUS</sub>	Bus Power	B4	V <sub>BUS</sub>	Bus Power
A12	GND	Ground return	B1	GND	Ground return



深圳市华宇创精密电子有限公司

<b>TOLERANCE:</b> X.X $\pm 0.30$ X.XX $\pm 0.25$ X.XXX $\pm 0.15$ X.' $\pm 2'$ X.X' $\pm 0.5'$	<b>DRAWN BY :</b> 陈一鸣	<b>DATE :</b> 2014-02-23	<b>PART NAME:</b> USB TYPE C 防水母座16P 立贴H=8.5
	<b>CHECKED BY:</b> 马跃	<b>DATE :</b> 2014-02-23	<b>PART NO.</b> HYCW395-USBC16-085B
 <b>UNIT: mm [inch]</b>	<b>APPROVED BY:</b> 邱敏	<b>DATE :</b> 2014-02-23	<b>MOLD NO.</b> 
	<b>SCALE: 1:1</b> <b>SIZE: A4</b>		<b>DRAW NO:</b> HYC-2212121858
			<b>SHEET NO.</b> 1 OF 1

## X-ON Electronics

Largest Supplier of Electrical and Electronic Components

*Click to view similar products for [USB Connectors](#) category:*

*Click to view products by [HOAUC](#) manufacturer:*

Other Similar products are found below :

[950](#) [MUSBD11135](#) [17-200721](#) [217450-1](#) [KMBVX-TH-5S-B30](#) [KUSBX-AS2N-W](#) [KUSBX-SMT2AP1S-W30](#) [935](#) [957](#) [30-498-6](#) [SK-60A-2](#)  
[1734082-1](#) [30-470](#) [30-489](#) [30-541](#) [A-USB A-2P-C](#) [MIKROE-1451](#) [USBFTVSCCG](#) [1-1734084-2](#) [10135326-001LF](#) [4198](#) [USB-A-D-VT](#)  
[USB-A-S-RA-TSMT](#) [1310-1023-02](#) [690-024-633-031](#) [UB-20PMFP-LC7001](#) [17-200011](#) [UB-20AFMM-LL7A01](#) [1040870124](#) [CAP-](#)  
[WCCMLPB1](#) [CAP-WCCMLPC1](#) [2274475-3](#) [UB-20BMFA-SL8001](#) [914-614A2025S10200](#) [USB3FTV7SAGF059](#) [ZX40-B-5S-1500-](#)  
[STDA\(30\)](#) [GSB3116344HR](#) [USB3FTV2SAZNF459](#) [USB3FTV7SAZNF459](#) [U221-041N-1WVS62-F5D](#) [HYCW153-USBD05-500B](#)  
[HYCW219-USBD05-075B](#) [HYCW148-USBD05-117B](#) [HYCW149-USBD05-740B](#) [HYCW204-USBD05-108B](#) [HYCW214-USBA04-113B](#)  
[HYCW213-USBA04-113B](#) [UB-20AMFM-SL7A01](#) [KMMX-BSMT35S-1-B30TR](#) [2345986-1](#)