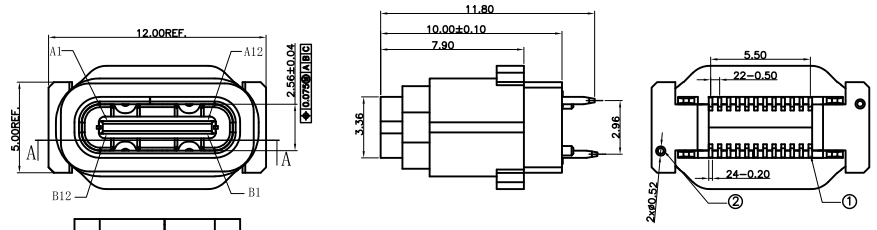


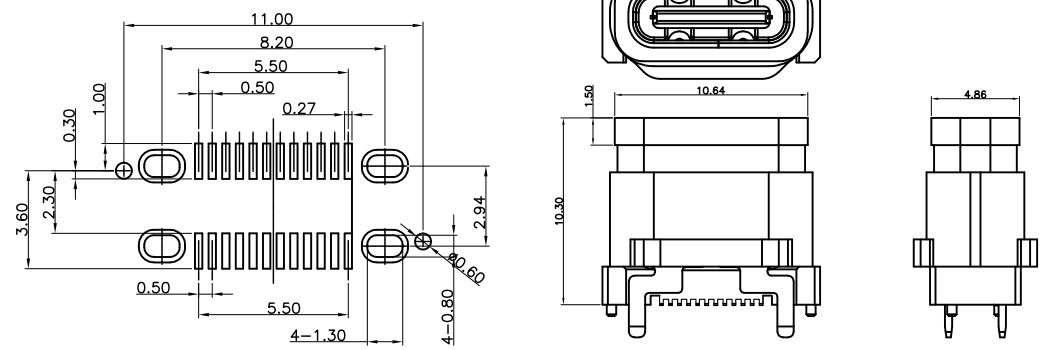
USB TYPE-C FULL-FEATURED RECEPTACLE INTERFAC PIN ASSIGNMENTS

| PIN | Signal Name | Description | PIN | Signal Name | Description |
|-----|-------------|---|-----|-------------|---|
| A1 | GND | Ground return | B12 | GND | Ground return |
| A4 | Vcc | Bus Power | B9 | Vcc | Bus Power |
| A5 | CC1 | Configuration Channel | B8 | SR02 | Sideband Use(SB0) |
| A6 | Dn1 | Positive half of the USB 2.0 differential pair-Position 1 | B7 | Dn2 | Negative half of the USB 2.0 differential pair-Position 2 |
| A7 | Dn1 | Negative half of the USB 2.0 differential pair-Position 1 | B6 | Dp2 | Positive half of the USB 2.0 differential pair-Position 2 |
| A8 | SR01 | Sideband Use(SB0) | B5 | CC2 | Configuration Channel |
| A9 | Vcc | Bus Power | B4 | Vcc | Bus Power |
| A12 | GND | Ground return | B1 | GND | Ground return |



NOTE:
 1. MATERIAL:
 1.1 INSULATOR: HIGH TEMPERATURE PLASTIC UL 94 V-0; Black Color
 1.2 CONTACT: C7025 (T=0.12mm)
 1.3 SHELL: STAINLESS STEEL (T=0.40mm)
 1.4 MID PLATE: STAINLESS STEEL (T=0.15mm)
 2. ELECTRICAL CHARACTERISTICS:
 2.1 CONTACT RESISTANCE: 40mΩ Max FOR INITIAL. 10mΩ CHANGE AFTER TEST. MEASURE AT 20mV, 100mA.
 2.2 CONTACT CURRENT RATING: 5A FOR COLLECTIVELY POWER SUPPLY PIN(PIN A1, A4, A9, A12, B1, B4, B9, B12); 1.25A FOR VCONN PIN; 0.25A FOR OTHER SIGNAL PIN.
 2.3 DIELECTRIC WITHSTANDING VOLTAGE: 100V AC R.M.S.
 2.4 INSULATION RESISTANCE 100MΩ Min
 2.5 OPERATING TEMPERATURE: -40° C ~ 85° C
 3. MECHANICAL CHARACTERISTICS:
 3.1 MATING FORCE: 5~20 N.
 3.2 UNMATED FORCE: 8~20N INITIAL TEST; 6~20N DURABILITY AFTER TEST
 3.3 DURABILITY: 10,000 CYCLES
 4. PLATING
 4.1 TERMINAL CONTACT: Au 3u" PLATING ON CONTACT AREA; TIN 50u" Min TING ON SOLDER TAIL, NI 50u" Min UNDERPLATING OVERALL.
 4.2 SHELL: 50u" Min. NICKEL ALL OVER,
 4.3 MID PLATE: CLEAN

加防水圈示意图

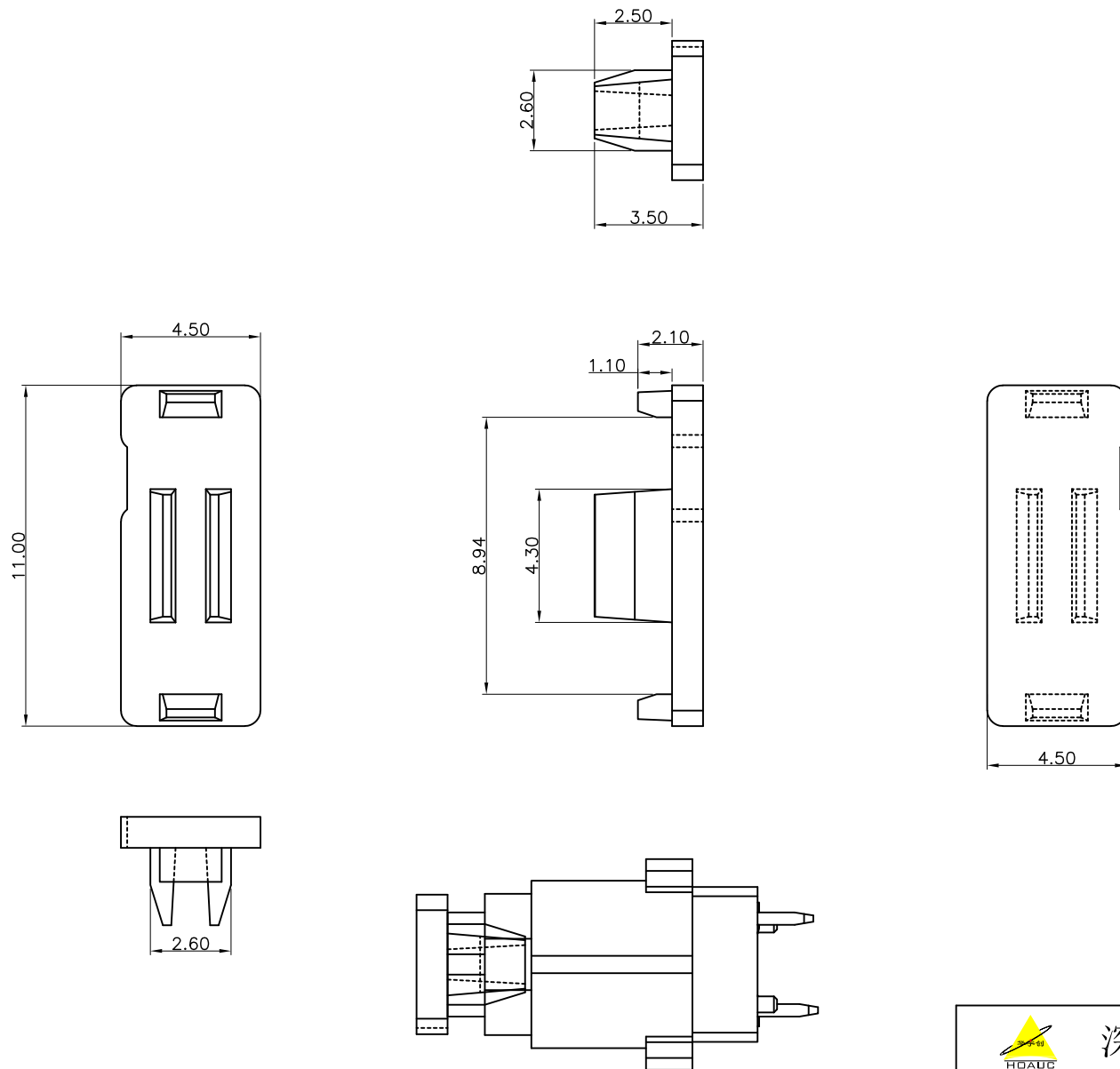


RECOMMENDED P.C.B. LAYOUT (T:1.00mm)
 TOLERANCE UNSPECIFIED ±0.05mm

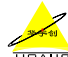
| NO. | DESCRIPTION | MATERIAL | REMARKS | QTY | 盐雾 | PACKAGING |
|-----|-------------|--------------------|---|------|-----|-----------|
| 5 | CAP | LCP 6007AS UL94V-0 | BLACK | 1PCS | | |
| 4 | SHELL | SUS304 T=0.40mm | Ni 50u" Min Plated | 1PCS | | |
| 3 | LATCH | SUS301-H T=0.15mm | NO PLATED | 1PCS | 48H | Reel |
| 2 | CONTACT | C7025 T=0.12mm | Au 3u" PLATING ON CONTACT AREA; TIN 50u" Min TING ON SOLDER TAIL; NI 50u" Min UNDERPLATING OVERALL. | 1SET | | |
| 1 | HOUSING | LCP UL94V-0 | LCP BLACK UL94V-0 | 1PCS | | |


深圳市华宇创精密电子有限公司

| | | | |
|---|--------------------|----------------------|---|
| TOLERANCE: X.X ±0.30 X.XX ±0.25 X.XXX ±0.15 X: ±2° X.X° ±0.5° | DRAWN BY : 陈一鸣 | DATE : 2014-02-23 | PART NAME: USB TYPE C 防水母座24P 立贴H=10.0 脚长1.8 |
| | CHECKED BY: 马跃 | DATE : 2014-02-23 | PART NO. HYCW417-USBC24-180B |
| UNIT: mm [inch] SCALE:1:1 SIZE: A4 | APPROVED BY: 邱敏 | DATE : 2014-02-23 | DRAW NO: HYC-2212201742 |
| | | | SHEET NO. 1 OF 1 |



加CAP示意图


 深圳市华宇创精密电子有限公司

| | | | | |
|---|--------------------|----------------------|------------------|--------|
| TOLERANCE: X.X ±0.30 X.XX ±0.25 X.XXX ±0.15 X' ±2' X.X' ±0.5' | DRAWN BY : 陈一鸣 | DATE : 2014-02-23 | PART NAME: 后塞 | |
| | CHECKED BY: 马跃 | DATE : 2014-02-23 | PART NO. | |
|  UNIT: mm [inch] SCALE:1:1 SIZE: A4 | APPROVED BY: 邱敏 | DATE : 2014-02-23 | MOLD NO. | |
| | | | DRAW NO: | |
| | | | SHEET NO. | 1 OF 1 |

X-ON Electronics

Largest Supplier of Electrical and Electronic Components

Click to view similar products for [USB Connectors](#) category:

Click to view products by [HOAUC](#) manufacturer:

Other Similar products are found below :

[950](#) [MUSBD11135](#) [17-200721](#) [217450-1](#) [KMBVX-TH-5S-B30](#) [KUSBX-AS2N-W](#) [KUSBX-SMT2AP1S-W30](#) [935](#) [957](#) [30-498-6](#) [SK-60A-2](#)
[1734082-1](#) [30-470](#) [30-489](#) [30-541](#) [A-USB A-2P-C](#) [MIKROE-1451](#) [USBFTVSCCG](#) [1-1734084-2](#) [10135326-001LF](#) [4198](#) [USB-A-D-VT](#)
[USB-A-S-RA-TSMT](#) [1310-1023-02](#) [690-024-633-031](#) [UB-20PMFP-LC7001](#) [17-200011](#) [UB-20AFMM-LL7A01](#) [1040870124](#) [CAP-](#)
[WCCMLPB1](#) [CAP-WCCMLPC1](#) [2274475-3](#) [UB-20BMFA-SL8001](#) [914-614A2025S10200](#) [USB3FTV7SAGF059](#) [ZX40-B-5S-1500-](#)
[STDA\(30\)](#) [GSB3116344HR](#) [USB3FTV2SAZNF459](#) [USB3FTV7SAZNF459](#) [U221-041N-1WVS62-F5D](#) [HYCW153-USBD05-500B](#)
[HYCW219-USBD05-075B](#) [HYCW148-USBD05-117B](#) [HYCW149-USBD05-740B](#) [HYCW204-USBD05-108B](#) [HYCW214-USBA04-113B](#)
[HYCW213-USBA04-113B](#) [UB-20AMFM-SL7A01](#) [KMMX-BSMT35S-1-B30TR](#) [2345986-1](#)