

- 注解:
- 材料:
 - 1-1 主体: LCP E471I+30%玻纤, UL94V-0, 黑色,符合泰硕HF要求
 - 1-2 端子: C5210-EH 料厚=0.12±0.02
 - 1-3 铁壳: SUS301-3/4H 料厚=0.15±0.02
 - 电镀:
 - 2-1 端子:
 - 2-1-1 接触面积: 接触点镀金1U"以上, 镍底50U"以上。
 - 2-1-2 焊锡面积: 镀锡80U"以上, 镍底50U"以上。
 - 2-2 铁壳:
 - 2-2-1 焊接面镀金1U"以上, 所有面积镍底50U"以上。
 - 焊锡面共面度最大0.1mm
 - 物料必须满足泰硕无卤WD-3-I-091规范要求

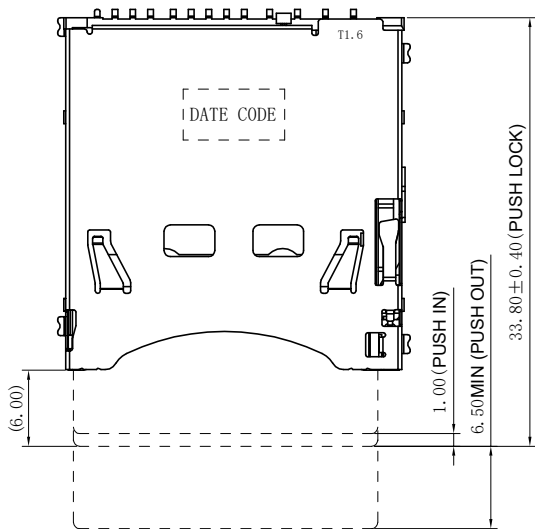
- NOTE:
- MATERIAL:
 - 1-1 PLASTICS: LCP E471I WITH 30% GF, UL94V-0, BLACK, HF
 - 1-2 CONTACTS: C5210-EH THICKNESS=0.12±0.02
 - 1-3 SHELL: SUS301-3/4H THICKNESS=0.15±0.02
 - PLATING:
 - 2-1 CONTACTS:
 - 2-1-1 CONTACT AREA: (1u")MIN Gold PLATING ON CONTACT AREA
PLATING OVER NI 50u" MIN
 - 2-1-2 SOLDER TALL AREA: MATTE-TIN 80u" MIN
PLATING OVER NI 50u" MIN
 - 2-2 SHELL:
 - 2-2-1 1u" MIN GOLD PLATED ON SOLDER TALLS
50u" MIN. NICKEL UNDERPLATING OVER ALL




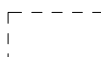


深圳市华宇创精密电子有限公司

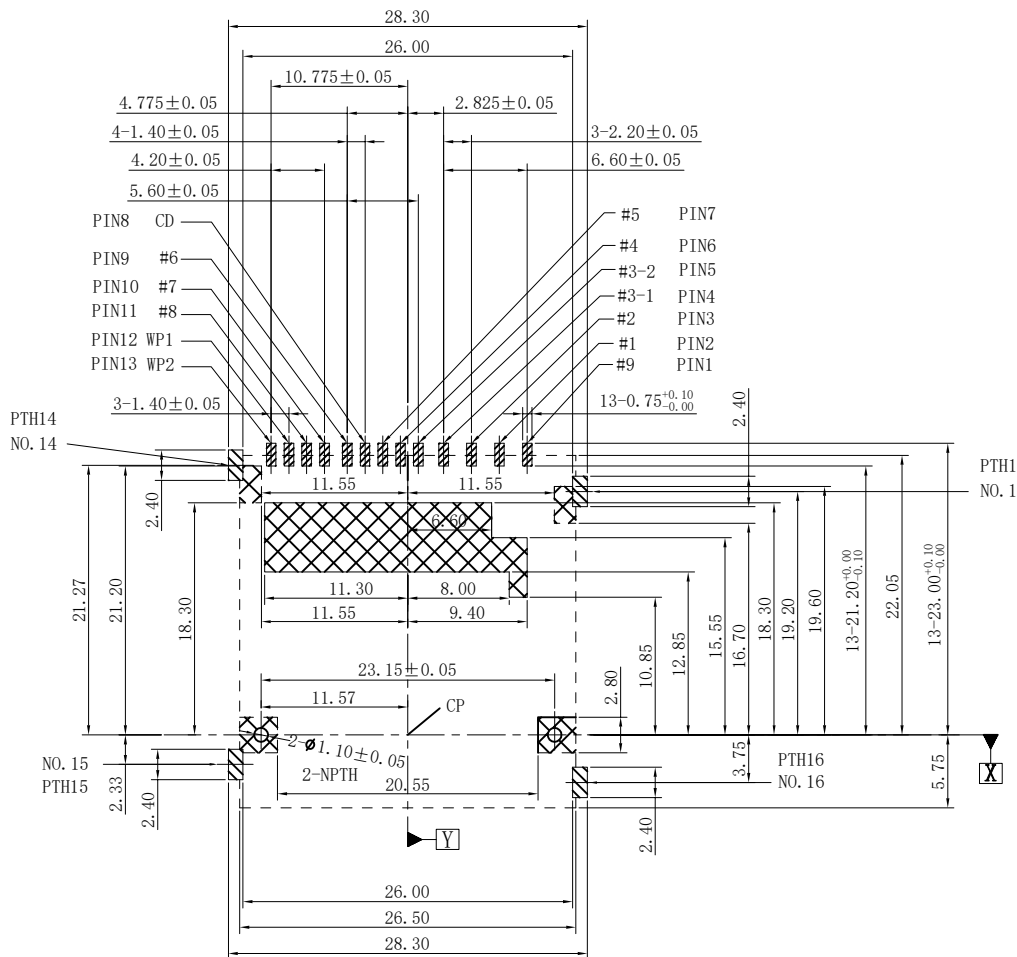
TOLERANCE: X.X ±0.30 X.XX ±0.25 X.XXX ±0.15 X' ±2' X.X' ±0.5'	DRAWN BY :	DATE :	PART NAME:
	陈一鸣	2014-02-23	SD PUSH 4.4H
UNIT: mm [inch] SCALE:1:1 SIZE: A4	CHECKED BY:	DATE :	PART NO.
	马跃	2014-02-23	HYCW55-SD13-440B
	APPROVED BY:	DATE :	DRAW NO:
	邱敏	2014-02-23	HYC-SD1908211911
			SHEET NO. 1 OF 1

CARD PUSH STATE



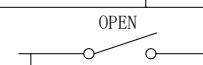
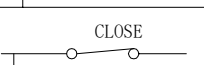
NOTES:

-  PAD AREA
-  NO COMPONENT AREA
-  GND PATTERN ONLY
-  NO COPPER AREA (NO TRACE /VIA /GND)



RECOMMEND P.C.BOARD LAYOUT (TOP VIEW)
TOLERANCE UNLESS OTHERWISE SPEC ±0.05

NO.	PIN #	FUNCTION
1	#9	DAT2
2	#1	CD/DAT3
3	#2	CMD
4	#3-1	VSS
5	#3-2	VSS
6	#4	VDD
7	#5	CLD
8	CD	CARD DETECT
9	#6	VSS
10	#7	DATO
11	#8	DATI
12	WP1	WRITE PROTECT (VSS)
13	WP2	WRITE PROTECT (VDD)
14	FRAME	GND
15	FRAME	GND
16	FRAME	GND
17	FRAME	GND

	WRITE PROTECT SWITCH		CARD DETECT SWITCH
	WRITE PROTECT POSITION	WRITE ENABLE POSITION	
CARD UN INSERTION	OPEN		OPEN
CARD HALF INSERTION	CLOSE		OPEN
CARD INSERTION	OPEN	CLOSE	CLOSE
N/O	 OPEN		 CLOSE

 **深圳市华宇创精密电子有限公司**

TOLERANCE: X.X ±0.30 X.XX ±0.25 X.XXX ±0.15 X' ±2' X.X' ±0.5'	DRAWN BY : 陈一鸣	DATE : 2014-02-23	PART NAME: SD PUSH 4.4H
	CHECKED BY: 马跃	DATE : 2014-02-23	PART NO. : HYCW55-SD13-440B
UNIT: mm [inch] SCALE:1:1 SIZE: A4	APPROVED BY: 邱敏	DATE : 2014-02-23	DRAW NO. : HYC-SD1908211911
			SHEET NO. : 1 OF 1

X-ON Electronics

Largest Supplier of Electrical and Electronic Components

Click to view similar products for [Memory Card Connectors](#) category:

Click to view products by [HOAUC](#) manufacturer:

Other Similar products are found below :

[M21-033321-005](#) [6407-249V-25273P](#) [6407-249V-25343P](#) [69.920.0553.0](#) [809180410000000](#) [DM3AT-SF-PEJM5\(41\)](#) [HMCAP001](#) [252-0144-000](#) [2041353-2](#) [308-DS1P0811-192](#) [33CFAE-DN](#) [HM2P09PDR360N9LF](#) [502431-1011](#) [10-629549-258N](#) [11327-001](#) [11327-002](#) [617230001](#) [95622-003LF](#) [N7E50-U516RB-50-SIN0005](#) [95079-00CALF](#) [84648-056HLF](#) [93-570123-08P](#) [125A-78C00](#) [MI20A-50PD-SF-EJL\(71\)](#) [KP10S-SF-PEJ\(812\)](#) [504536-0691](#) [CCM03-3109 B LFT](#) [MI21-50PD-SF\(91\)](#) [2309923-1](#) [61126-050CAHLF](#) [IC1GA-68PD-1.27DS-EJ\(72\)](#) [GTFF08432B1HR](#) [G85DT17001P1EU](#) [G85C11101152HHR](#) [G85D1160022HHR](#) [KP15TL-SF\(800\)](#) [KP10BH-8S-SF\(800\)](#) [SCE2MSDB76A121SN](#) [SCE2MSDZN76A121SN](#) [C00710B0250001](#) [CCM01-2664 LFT T25](#) [119A-40A00-R02](#) [47309-2651](#) [47481-0001](#) [055036006202862+](#) [67799-0004](#) [91228-3006](#) [104168-1616](#) [104C-TAA1](#) [112I-TA01](#)