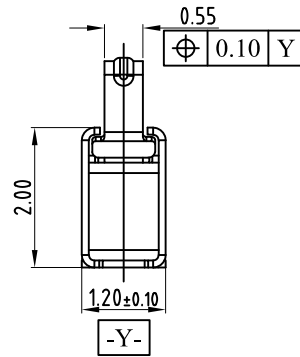
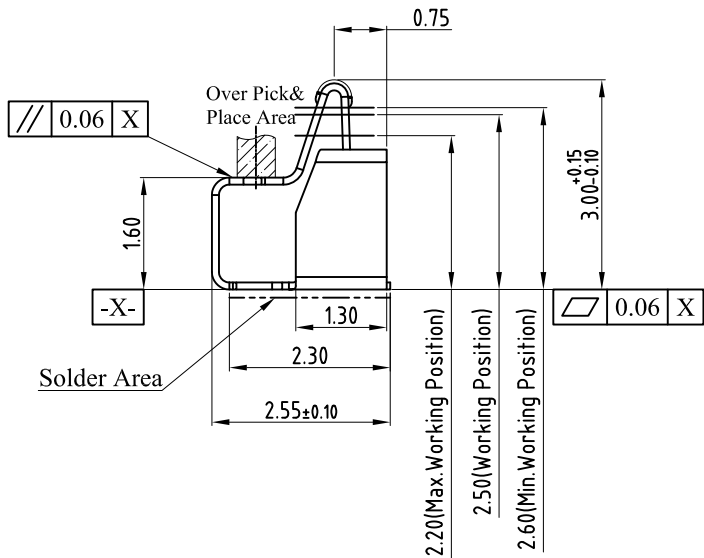
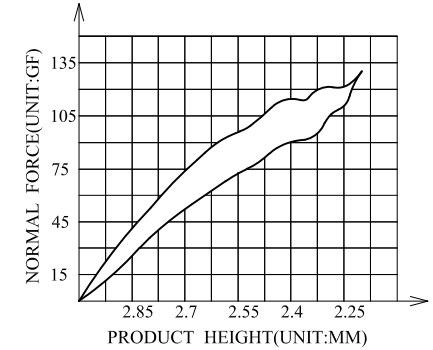
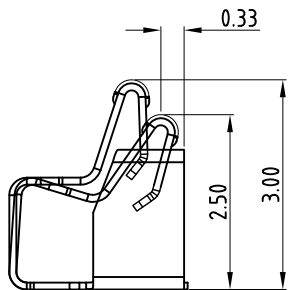


3D View

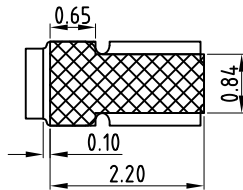


NOTES:

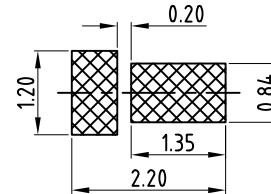
- 1: MATERIAL
  - 1-1: SUS-301 THICKNE=0.10MM
- 2: SPECIFICATIONS
  - 2-1: RATED CURRENT: 1.0A
  - 2-2: VOLTAGE RATING: 1.5V
  - 2-3: CONTACT RESISTANCE: 80mΩ/MAX
  - 2-4: WELDING THRUST: ≥3KG
  - 2-5: OPERATING TEMPERATURE: -40°C~+85°C
- 3: DURABILITY: 1500 CYCLES
- 4: SALT SPRAY TIME: 24H
- 5: ELECTROPLATE: THE NICKEL-PLATED SUBSTRATE IS 50u" MIN
- 6: REQUIREMENTS
  - 6-1: TERMINAL TO EAT FULL TIN, NOT PEELING, WELDING OBVIOUS COLOR AND OTHER ADVERSE
  - 6-2: ROHS, REACH, HF HALOGER ADVERSE OF DOMESTIC AND INTERNATIONAL ENVIRONMENTAL REQUIREMENTS




(For Reference Only)  
Stated At Compression



RECOMMENDED PCB LAYOUT  
TOLERANCE: ±0.05MM  
(FOR REFERENCE ONLY)



METAL MASK T=0.08  
TOLERANCE: ±0.05MM  
(FOR REFERENCE ONLY)

 <b>深圳市华宇创精密电子有限公司</b>			
TOLERANCE: X.X ±0.30 X.XX ±0.25 X.XXX ±0.15 X' ±2'    X.X' ±0.5'	DRAWN BY : 陈一鸣	DATE : 2014-02-23	PART NAME: 天线弹片 L2.55*W1.2*H3.0
	CHECKED BY: 马跃	DATE : 2014-02-23	PART NO. HYCW-TXT2551230A
UNIT: mm [inch] SCALE: 1:1    SIZE: A4	APPROVED BY: 邱敏	DATE : 2014-02-23	DRAW NO: HYC-2406081356
			SHEET NO. 1 OF 1

## X-ON Electronics

Largest Supplier of Electrical and Electronic Components

*Click to view similar products for [Circuit Board Hardware - PCB category](#):*

*Click to view products by [HOAUC manufacturer](#):*

Other Similar products are found below :

[8919-0-00-15-00-00-03-0](#) [5970-1-15-01-32-14-04-0](#) [MKU 1 BLACK](#) [MLN 150/1 BLACK](#) [8579-1-15-15-11-27-10-0](#) [PRUEF 1 RED](#) [PRUEF 2 RED](#) [PW1616](#) [MPS 1 BLACK](#) [1548-103](#) [2317-2-00-50-00-00-07-0](#) [2506-2-00-50-00-00-07-0](#) [SCREWCLAMP EASY2](#) [SCREWCLAMPEASY750GEO](#) [9873-0-15-80-02-80-10-0](#) [2104-2-01-80-00-00-07-0](#) [PG-9](#) [2308-4-00-44-00-00-07-0](#) [2314-2-01-50-00-00-07-0](#) [2352-3-01-50-00-00-07-0](#) [2506-3-00-50-00-00-07-0](#) [251-103](#) [3330-1-00-15-00-00-03-0](#) [430-107](#) [TO-100-030](#) [TO-16-030E](#) [TO-203-040E](#) [TO-24-100](#) [TO-64-030](#) [5062-0-00-21-00-00-33-0](#) [5108](#) [325-102](#) [WLPL-141](#) [Z4.102.1680.0](#) [5119](#) [0153-4-15-80-30-27-04-0](#) [0252-0-15-01-32-27-10-0](#) [0253-0-15-15-30-27-10-0](#) [0255-0-15-01-30-27-04-0](#) [0290-0-00-15-00-00-03-0](#) [0309-2-15-80-47-27-10-0](#) [02-41](#) [0405-0-15-80-34-27-04-0](#) [0569-0-15-15-11-27-10-0](#) [0579-0-15-01-11-27-10-0](#) [0489-0-15-01-11-27-04-0](#) [0489-2-15-15-11-27-04-0](#) [0553-1-15-01-11-27-10-0](#) [0553-2-15-80-11-84-10-0](#) [0554-0-15-15-11-27-10-0](#)