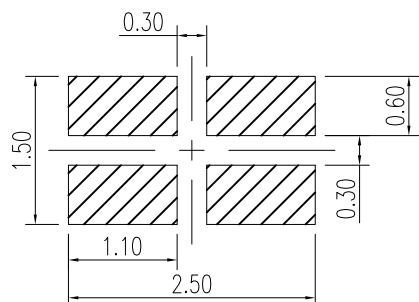
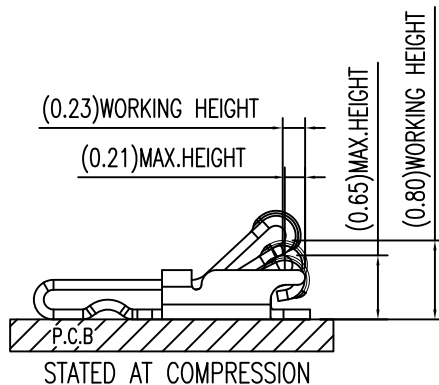


NOTES

- (1) MATERIAL: SUS-304 THICKNE=0.10mm
- (2) PRODUCT SPECIFICATIONS:
  - 2-1: RATED CURRENT: 1.0A
  - 2-2: VOLTAGE RATING: 1.50V
  - 2-3: CONTACT RESISTANCE: 80mΩ/MAX
  - 2-4: WELDING THRUST: ≥ 3KG
  - 2-5: OPERATING TEMPERATURE: -40°C~+85°C
  - 2-6: DURABILITY: 1500 CYCLES
- (3): SALT SPRAY: 24 HOURS
- (4): FINISH: 50u"Min NICKEL UNDERPLATING OVER ALL.
- (5): REQUIREMENTS
  - 5-1: TERMINAL TO EAT FULL TIN, NOT PEELING WELDING OBVIOUS COLOR AND OTHER ADVERSE
  - 5-2: ROHS, REACH, HF HALOGEN ADVERSE OF DOMESTIC AND INTERNATIONAL ENVIRONMENTAL REQUIREMENTS



RECOMMENDED PCB LAYOUT  
TOLERANCE ±0.05 (焊盘推荐图)



深圳市华宇创精密电子有限公司

|   |                    |                      |                                    |
|---|--------------------|----------------------|------------------------------------|
| TOLERANCE:<br>X.X ±0.30<br>X.XX ±0.25<br>X.XXX ±0.15<br>X' ±2' X.X' ±0.5' | DRAWN BY :<br>陈一鸣  | DATE :<br>2014-02-23 | PART NAME:<br>天线弹片 L2.80*W1.5*H1.1 |
|   | CHECKED BY:<br>马跃  | DATE :<br>2014-02-23 | PART NO.<br>HYCW-TXT281511A        |
| UNIT: mm [inch]<br>SCALE: 1:1 SIZE: A4                                    | APPROVED BY:<br>邱敏 | DATE :<br>2014-02-23 | DRAW NO:<br>HYC-2406061205         |
|   |                    |                      | SHEET NO.<br>1 OF 1                |

## X-ON Electronics

Largest Supplier of Electrical and Electronic Components

*Click to view similar products for [Circuit Board Hardware - PCB category](#):*

*Click to view products by [HOAUC manufacturer](#):*

Other Similar products are found below :

[8919-0-00-15-00-00-03-0](#) [5970-1-15-01-32-14-04-0](#) [MKU 1 BLACK](#) [MLN 150/1 BLACK](#) [8579-1-15-15-11-27-10-0](#) [PRUEF 1 RED](#) [PRUEF 2 RED](#) [PW1616](#) [MPS 1 BLACK](#) [1548-103](#) [2317-2-00-50-00-00-07-0](#) [2506-2-00-50-00-00-07-0](#) [SCREWCLAMP EASY2](#) [SCREWCLAMPEASY750GEO](#) [9873-0-15-80-02-80-10-0](#) [2104-2-01-80-00-00-07-0](#) [PG-9](#) [2308-4-00-44-00-00-07-0](#) [2314-2-01-50-00-00-07-0](#) [2352-3-01-50-00-00-07-0](#) [2506-3-00-50-00-00-07-0](#) [251-103](#) [3330-1-00-15-00-00-03-0](#) [430-107](#) [TO-100-030](#) [TO-16-030E](#) [TO-203-040E](#) [TO-24-100](#) [TO-64-030](#) [5062-0-00-21-00-00-33-0](#) [5108](#) [325-102](#) [WLPL-141](#) [Z4.102.1680.0](#) [5119](#) [0153-4-15-80-30-27-04-0](#) [0252-0-15-01-32-27-10-0](#) [0253-0-15-15-30-27-10-0](#) [0255-0-15-01-30-27-04-0](#) [0290-0-00-15-00-00-03-0](#) [0309-2-15-80-47-27-10-0](#) [02-41](#) [0405-0-15-80-34-27-04-0](#) [0569-0-15-15-11-27-10-0](#) [0579-0-15-01-11-27-10-0](#) [0489-0-15-01-11-27-04-0](#) [0489-2-15-15-11-27-04-0](#) [0553-1-15-01-11-27-10-0](#) [0553-2-15-80-11-84-10-0](#) [0554-0-15-15-11-27-10-0](#)