

**CONTINUOUS HINGE, TYPE 4X**

**INDUSTRY STANDARDS**

Mounting brackets required to meet UL/CSA external mounting requirements.

UL 508A Listed; Type 4, 4X, 12, 13; File No. E61997  
 cUL Listed per CSA C22.2 No 94; Type 4, 4X, 12, 13; File No. E61997  
 Enclosure flammability evaluated per UL 508A  
 Window flammability evaluated per UL 508A

NEMA/EEMAC Type 4, 4X, 12, 13  
 CSA File No. 42186: Type 4, 4X, 12, 13  
 IEC 60529, IP66

**APPLICATION**

The efficient design and simple construction of these enclosures make them durable in corrosive environments, yet aesthetically pleasing. Corner latches provide unobstructed access. The continuous hinge provides a secure seal, and double latching creates added security.

**SPECIFICATIONS**

- Compression-molded fiberglass has outstanding chemical- and temperature-resistance qualities and exhibits excellent weatherability and physical properties
- Fiberglass is easily punched, drilled, filed or sawed
- Gasket assures water-tight and dust-tight seal
- Polyester mounting brackets and stainless steel attachment screws are provided with each enclosure
- Scratch-resistant polycarbonate windows are permanently bonded in place
- Molded-in-place threaded brass inserts and plated steel screws are provided for mounting optional panels and terminal block kits
- Removable hinged cover attached to body with Type 316 stainless steel hinge pin
- Screw-cover enclosures are secured with two captivated Type 316 stainless steel slotted cover screws
- Enclosures with quick-release latches have corrosion-resistant polyester latches located in corners that provide unobstructed access to enclosure
- Hinge pin and bail are corrosion-resistant Type 316 stainless steel
- Padlock provisions included in each latch
- Material is halogen free

**FINISH**

Standard fiberglass material finish is light-gray inside and out. Optional steel panels are painted white. Optional stainless steel, aluminum, conductive and composite panels are unpainted.

**ACCESSORIES**

*See also Accessories.*  
 H2OMIT Vent Drains, Type 4X  
 HOL-SEALERS Non-Metallic Hole Seals  
 Panels for Junction Boxes  
 Threaded Panel Extenders  
 Quick-Release Latch Kit  
 Swing-Out Panel Kit

**MODIFICATION AND CUSTOMIZATION**

Hoffman excels at modifying and customizing products to your specifications. Contact your local Hoffman sales office or distributor for complete information.

**BULLETIN: A48**

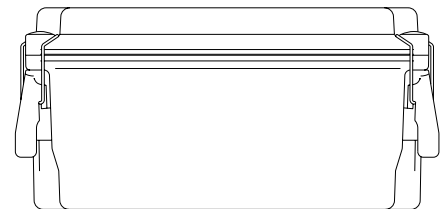
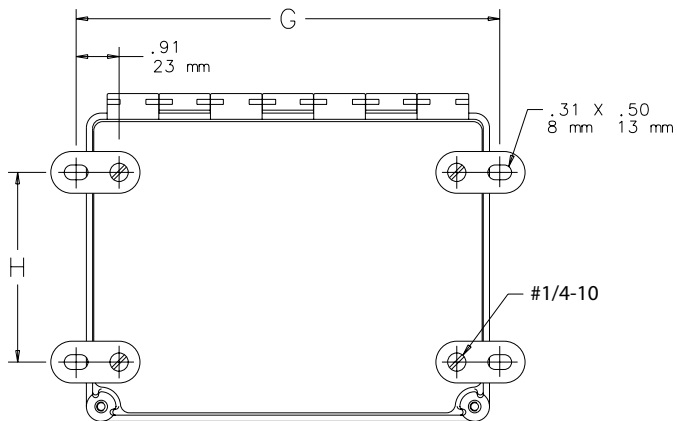
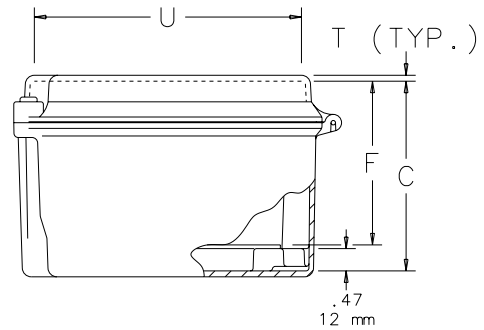
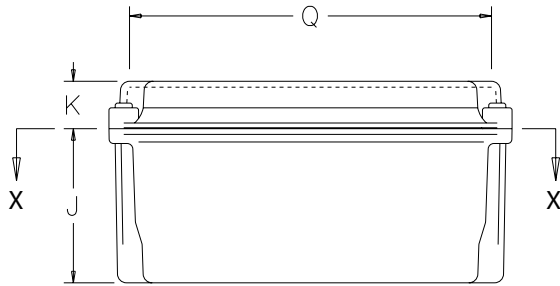
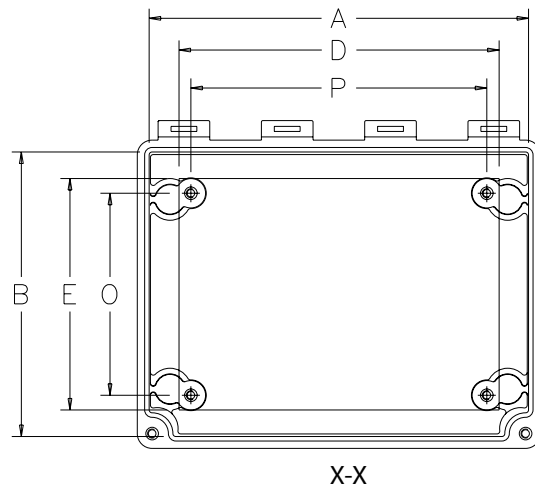
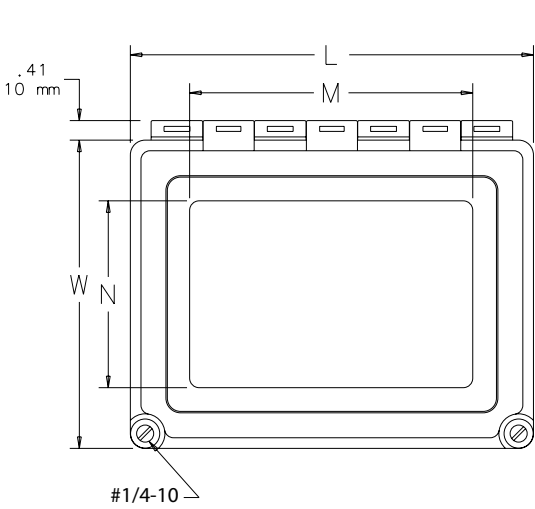
Standard Product **Solid Cover**

| Catalog Number | AxBxC in./mm          | Type          | Steel Panel | Alum. Panel | Panel Size D x E in./mm | Mounting G x H in./mm | Overall L x W in./mm | F in./mm | J in./mm | K in./mm | O in./mm | P in./mm | Q in./mm | T in./mm | U in./mm |
|----------------|-----------------------|---------------|-------------|-------------|-------------------------|-----------------------|----------------------|----------|----------|----------|----------|----------|----------|----------|----------|
| A664CHSCFG     | 6.00 x 6.00 x 4.00    | Screw         | A6P6        | A6P6AL      | 4.88 x 4.88             | 6.94 x 4.00           | 6.50 x 6.50          | 3.45     | 3.25     | 1.00     | 4.25     | 4.25     | 5.64     | 0.12     | 5.64     |
|                | 152 x 152 x 102       | Cover         |             |             | 124 x 124               | 176 x 102             | 165 x 165            | 88       | 83       | 25       | 108      | 108      | 143      | 3        | 143      |
| A664CHQRFG     | 6.00 x 6.00 x 4.00    | Quick Release | A6P6        | A6P6AL      | 4.88 x 4.88             | 6.94 x 4.00           | 6.50 x 6.50          | 3.45     | 3.25     | 1.00     | 4.25     | 4.25     | 5.64     | 0.12     | 5.64     |
|                | 152 x 152 x 102       | Release       |             |             | 124 x 124               | 176 x 102             | 165 x 165            | 88       | 83       | 25       | 108      | 108      | 143      | 3        | 143      |
| A864CHSCFG     | 8.00 x 6.00 x 4.00    | Screw         | A8P6        | A8P6AL      | 6.75 x 4.88             | 8.94 x 4.00           | 8.50 x 6.50          | 3.45     | 3.25     | 1.00     | 4.25     | 6.25     | 7.64     | 0.12     | 5.64     |
|                | 203 x 152 x 102       | Cover         |             |             | 171 x 124               | 227 x 102             | 216 x 165            | 88       | 83       | 25       | 108      | 159      | 194      | 3        | 143      |
| A864CHQRFG     | 8.00 x 6.00 x 4.00    | Quick Release | A8P6        | A8P6AL      | 6.75 x 4.88             | 8.94 x 4.00           | 8.50 x 6.50          | 3.45     | 3.25     | 1.00     | 4.25     | 6.25     | 7.64     | 0.12     | 5.64     |
|                | 203 x 152 x 102       | Release       |             |             | 171 x 124               | 227 x 102             | 216 x 165            | 88       | 83       | 25       | 108      | 159      | 194      | 3        | 143      |
| A1086CHSCFG    | 10.00 x 8.00 x 6.00   | Screw         | A10P8       | A10P8AL     | 8.75 x 6.88             | 10.94 x 6.00          | 10.50 x 8.50         | 5.45     | 4.94     | 1.31     | 6.25     | 8.25     | 9.61     | 0.12     | 7.61     |
|                | 254 x 203 x 152       | Cover         |             |             | 222 x 175               | 278 x 152             | 267 x 216            | 138      | 125      | 33       | 159      | 210      | 244      | 3        | 193      |
| A1086CHQRFG    | 10.00 x 8.00 x 6.00   | Quick Release | A10P8       | A10P8AL     | 8.75 x 6.88             | 10.94 x 6.00          | 10.50 x 8.50         | 5.45     | 4.94     | 1.31     | 6.25     | 8.25     | 9.61     | 0.12     | 7.61     |
|                | 254 x 203 x 152       | Release       |             |             | 222 x 175               | 278 x 152             | 267 x 216            | 138      | 125      | 33       | 159      | 210      | 244      | 3        | 193      |
| A12106CHSCFG   | 12.00 x 10.00 x 6.00  | Screw         | A12P10      | A12P10AL    | 10.75 x 8.88            | 12.94 x 8.00          | 12.50 x 10.50        | 5.45     | 4.69     | 1.56     | 8.25     | 10.25    | 11.58    | 0.12     | 9.58     |
|                | 305 x 254 x 152       | Cover         |             |             | 273 x 226               | 329 x 203             | 318 x 267            | 138      | 119      | 40       | 210      | 260      | 294      | 3        | 243      |
| A12106CHQRFG   | 12.00 x 10.00 x 6.00  | Quick Release | A12P10      | A12P10AL    | 10.75 x 8.88            | 12.94 x 8.00          | 12.50 x 10.50        | 5.45     | 4.69     | 1.56     | 8.25     | 10.25    | 11.58    | 0.12     | 9.58     |
|                | 305 x 254 x 152       | Release       |             |             | 273 x 226               | 329 x 203             | 318 x 267            | 138      | 119      | 40       | 210      | 260      | 294      | 3        | 243      |
| A14128CHSCFG   | 14.00 x 12.00 x 8.00  | Screw         | A14P12      | A14P12AL    | 12.75 x 10.88           | 14.94 x 10.00         | 14.55 x 12.55        | 7.45     | 6.50     | 1.81     | 10.25    | 12.25    | 13.59    | 0.15     | 11.59    |
|                | 356 x 305 x 203       | Cover         |             |             | 324 x 276               | 379 x 254             | 370 x 319            | 189      | 165      | 46       | 260      | 311      | 345      | 4        | 294      |
| A14128CHQRFG   | 14.00 x 12.00 x 8.00  | Quick Release | A14P12      | A14P12AL    | 12.75 x 10.88           | 14.94 x 10.00         | 14.55 x 12.55        | 7.45     | 6.50     | 1.81     | 10.25    | 12.25    | 13.59    | 0.15     | 11.59    |
|                | 356 x 305 x 203       | Release       |             |             | 324 x 276               | 379 x 254             | 370 x 319            | 189      | 165      | 46       | 260      | 311      | 345      | 4        | 294      |
| A16148CHSCFG   | 16.00 x 14.00 x 8.00  | Screw         | A16P14      | A16P14AL    | 14.75 x 12.88           | 16.94 x 12.00         | 16.55 x 14.55        | 7.45     | 6.23     | 2.08     | 12.25    | 14.25    | 15.56    | 0.15     | 13.56    |
|                | 406 x 356 x 203       | Cover         |             |             | 375 x 327               | 430 x 305             | 420 x 370            | 189      | 158      | 53       | 311      | 362      | 395      | 4        | 344      |
| A16148CHQRFG   | 16.00 x 14.00 x 8.00  | Quick Release | A16P14      | A16P14AL    | 14.75 x 12.88           | 16.94 x 12.00         | 16.55 x 14.55        | 7.45     | 6.23     | 2.08     | 12.25    | 14.25    | 15.56    | 0.15     | 13.56    |
|                | 406 x 356 x 203       | Release       |             |             | 375 x 327               | 430 x 305             | 420 x 370            | 189      | 158      | 53       | 311      | 362      | 395      | 4        | 344      |
| A181610CHSCFG  | 18.00 x 16.00 x 10.00 | Screw         | A18P16      | A18P16AL    | 16.75 x 14.88           | 18.94 x 14.00         | 18.58 x 16.58        | 9.45     | 7.66     | 2.66     | 14.25    | 16.25    | 17.53    | 0.16     | 15.53    |
|                | 457 x 406 x 254       | Cover         |             |             | 425 x 378               | 481 x 356             | 472 x 421            | 240      | 195      | 68       | 362      | 413      | 445      | 4        | 394      |
| A181610CHQRFG  | 18.00 x 16.00 x 10.00 | Quick Release | A18P16      | A18P16AL    | 16.75 x 14.88           | 18.94 x 14.00         | 18.58 x 16.58        | 9.45     | 7.66     | 2.66     | 14.25    | 16.25    | 17.53    | 0.16     | 15.53    |
|                | 457 x 406 x 254       | Release       |             |             | 425 x 378               | 481 x 356             | 472 x 421            | 240      | 195      | 68       | 362      | 413      | 445      | 4        | 394      |
| A201610CHSCFG  | 20.00 x 16.00 x 10.00 | Screw         | A20P16J     | A20P16JAL   | 18.75x14.88             | 20.94x14.00           | 20.58x16.58          | 9.45     | 7.66     | 2.66     | 13.81    | 17.81    | 19.64    | 0.16     | 15.64    |
|                | 508 x 407 x 254       | Cover         |             |             | 476x378                 | 532x356               | 523x421              | 240      | 195      | 68       | 351      | 452      | 499      | 4        | 397      |
| A201610CHQRFG  | 20.00 x 16.00 x 10.00 | Quick Release | A20P16J     | A20P16JAL   | 18.75x14.88             | 20.94x14.00           | 20.58x16.58          | 9.45     | 7.66     | 2.66     | 13.81    | 17.81    | 19.64    | 0.16     | 15.64    |
|                | 508 x 407 x 254       | Release       |             |             | 476x378                 | 532x356               | 523x421              | 240      | 195      | 68       | 351      | 452      | 499      | 4        | 397      |

Purchase panels separately. Optional stainless steel, aluminum, conductive and composite material panels available for most sizes.

Standard Product **Window Cover**

| Catalog Number | AxBxC in./mm          | Type          | Steel Panel | Alum. Panel | Panel Size D x E in./mm | Mounting G x H in./mm | Overall L x W in./mm | F in./mm | J in./mm | K in./mm | M in./mm | N in./mm | O in./mm | P in./mm | Q in./mm | T in./mm | U in./mm |
|----------------|-----------------------|---------------|-------------|-------------|-------------------------|-----------------------|----------------------|----------|----------|----------|----------|----------|----------|----------|----------|----------|----------|
| A664CHSCFGW    | 6.00 x 6.00 x 4.00    | Screw         | A6P6        | A6P6AL      | 4.88 x 4.88             | 6.94 x 4.00           | 6.50 x 6.50          | 3.45     | 3.25     | 1.00     | 4.25     | 4.25     | 4.25     | 4.25     | 5.64     | 0.12     | 5.64     |
|                | 152 x 152 x 102       | Cover         |             |             | 124 x 124               | 176 x 102             | 165 x 165            | 88       | 83       | 25       | 108      | 108      | 108      | 108      | 143      | 3        | 143      |
| A664CHQRFGW    | 6.00 x 6.00 x 4.00    | Quick Release | A6P6        | A6P6AL      | 4.88 x 4.88             | 6.94 x 4.00           | 6.50 x 6.50          | 3.45     | 3.25     | 1.00     | 4.25     | 4.25     | 4.25     | 4.25     | 5.64     | 0.12     | 5.64     |
|                | 152 x 152 x 102       | Release       |             |             | 124 x 124               | 176 x 102             | 165 x 165            | 88       | 83       | 25       | 108      | 108      | 108      | 108      | 143      | 3        | 143      |
| A864CHSCFGW    | 8.00 x 6.00 x 4.00    | Screw         | A8P6        | A8P6AL      | 6.75 x 4.88             | 8.94 x 4.00           | 8.50 x 6.50          | 3.45     | 3.25     | 1.00     | 6.25     | 4.25     | 6.25     | 7.64     | 0.12     | 5.64     |          |
|                | 203 x 152 x 102       | Cover         |             |             | 171 x 124               | 227 x 102             | 216 x 165            | 88       | 83       | 25       | 159      | 108      | 108      | 159      | 194      | 3        | 143      |
| A864CHQRFGW    | 8.00 x 6.00 x 4.00    | Quick Release | A8P6        | A8P6AL      | 6.75 x 4.88             | 8.94 x 4.00           | 8.50 x 6.50          | 3.45     | 3.25     | 1.00     | 6.25     | 4.25     | 6.25     | 7.64     | 0.12     | 5.64     |          |
|                | 203 x 152 x 102       | Release       |             |             | 171 x 124               | 227 x 102             | 216 x 165            | 88       | 83       | 25       | 159      | 108      | 108      | 159      | 194      | 3        | 143      |
| A1086CHSCFGW   | 10.00 x 8.00 x 6.00   | Screw         | A10P8       | A10P8AL     | 8.75 x 6.88             | 10.94 x 6.00          | 10.50 x 8.50         | 5.45     | 4.94     | 1.31     | 8.25     | 6.25     | 6.25     | 8.25     | 9.61     | 0.12     | 7.61     |
|                | 254 x 203 x 152       | Cover         |             |             | 222 x 175               | 278 x 152             | 267 x 216            | 138      | 125      | 33       | 210      | 159      | 159      | 210      | 244      | 3        | 193      |
| A1086CHQRFGW   | 10.00 x 8.00 x 6.00   | Quick Release | A10P8       | A10P8AL     | 8.75 x 6.88             | 10.94 x 6.00          | 10.50 x 8.50         | 5.45     | 4.94     | 1.31     | 8.25     | 6.25     | 6.25     | 8.25     | 9.61     | 0.12     | 7.61     |
|                | 254 x 203 x 152       | Release       |             |             | 222 x 175               | 278 x 152             | 267 x 216            | 138      | 125      | 33       | 210      | 159      | 159      | 210      | 244      | 3        | 193      |
| A12106CHSCFGW  | 12.00 x 10.00 x 6.00  | Screw         | A12P10      | A12P10AL    | 10.75 x 8.88            | 12.94 x 8.00          | 12.50 x 10.50        | 5.45     | 4.69     | 1.56     | 10.25    | 8.25     | 8.25     | 10.25    | 11.58    | 0.12     | 9.58     |
|                | 305 x 254 x 152       | Cover         |             |             | 273 x 226               | 329 x 203             | 318 x 267            | 138      | 119      | 40       | 260      | 210      | 210      | 260      | 294      | 3        | 243      |
| A12106CHQRFGW  | 12.00 x 10.00 x 6.00  | Quick Release | A12P10      | A12P10AL    | 10.75 x 8.88            | 12.94 x 8.00          | 12.50 x 10.50        | 5.45     | 4.69     | 1.56     | 10.25    | 8.25     | 8.25     | 10.25    | 11.58    | 0.12     | 9.58     |
|                | 305 x 254 x 152       | Release       |             |             | 273 x 226               | 329 x 203             | 318 x 267            | 138      | 119      | 40       | 260      | 210      | 210      | 260      | 294      | 3        | 243      |
| A14128CHSCFGW  | 14.00 x 12.00 x 8.00  | Screw         | A14P12      | A14P12AL    | 12.75 x 10.88           | 14.94 x 10.00         | 14.55 x 12.55        | 7.45     | 6.50     | 1.81     | 12.25    | 10.25    | 10.25    | 12.25    | 13.59    | 0.15     | 11.59    |
|                | 356 x 305 x 203       | Cover         |             |             | 324 x 276               | 379 x 254             | 370 x 319            | 189      | 165      | 46       | 311      | 260      | 260      | 311      | 345      | 4        | 294      |
| A14128CHQRFGW  | 14.00 x 12.00 x 8.00  | Quick Release | A14P12      | A14P12AL    | 12.75 x 10.88           | 14.94 x 10.00         | 14.55 x 12.55        | 7.45     | 6.50     | 1.81     | 12.25    | 10.25    | 10.25    | 12.25    | 13.59    | 0.15     | 11.59    |
|                | 356 x 305 x 203       | Release       |             |             | 324 x 276               | 379 x 254             | 370 x 319            | 189      | 165      | 46       | 311      | 260      | 260      | 311      | 345      | 4        | 294      |
| A16148CHSCFGW  | 16.00 x 14.00 x 8.00  | Screw         | A16P14      | A16P14AL    | 14.75 x 12.88           | 16.94 x 12.00         | 16.55 x 14.55        | 7.45     | 6.23     | 2.08     | 14.25    | 12.25    | 12.25    | 14.25    | 15.56    | 0.15     | 13.56    |
|                | 406 x 356 x 203       | Cover         |             |             | 375 x 327               | 430 x 305             | 420 x 370            | 189      | 158      | 53       | 362      | 311      | 311      | 362      | 395      | 4        | 344      |
| A16148CHQRFGW  | 16.00 x 14.00 x 8.00  | Quick Release | A16P14      | A16P14AL    | 14.75 x 12.88           | 16.94 x 12.00         | 16.55 x 14.55        | 7.45     | 6.23     | 2.08     | 14.25    | 12.25    | 12.25    | 14.25    | 15.56    | 0.15     | 13.56    |
|                | 406 x 356 x 203       | Release       |             |             | 375 x 327               | 430 x 305             | 420 x 370            | 189      | 158      | 53       | 362      | 311      | 311      | 362      | 395      | 4        | 344      |
| A181610CHSCFGW | 18.00 x 16.00 x 10.00 | Screw         | A18P16      | A18P16AL    | 16.75 x 14.88           | 18.94 x 14.00         | 18.58 x 16.58        | 9.45     | 7.66     | 2.66     | 16.25    | 14.25    | 14.25    | 16.25    | 17.53    | 0.16     | 15.53    |
|                | 457 x 406 x 254       | Cover         |             |             | 425 x 378               | 481 x 356             | 472 x 421            | 240      | 195      | 68       | 413      | 362      | 362      | 413      | 445      | 4        | 394      |
| A181610CHQRFGW | 18.00 x 16.00 x 10.00 | Quick Release | A18P16      | A18P16AL    | 16.75 x 14.88           | 18.94 x 14.00         | 18.58 x 16.58        | 9.45     | 7.66     | 2.69     | 16.25    | 14.25    | 14.25    | 16.25    | 17.53    | 0.16     | 15.53    |
|                | 457 x 406 x 254       | Release       |             |             | 425 x 378               | 481 x 356             | 472 x 421            | 240      | 195      | 68       | 413      | 362      | 362      | 413      | 445      | 4        | 394      |
| A201610CHSCFGW | 20.00 x 16.00 x 10.00 | Screw         | A20P16J     | A20P16JAL   | 18.75x14.88             | 20.94x14.00           | 20.58x16.58          | 9.45     | 7.66     | 2.69     | 18.25    | 14.25    | 13.81    | 17.81    | 19.64    | 0.16     | 15       |



SIDE VIEW  
(QUICK-RELEASE COVER ENCLOSURE)

C2567-C

**QUICK-RELEASE LATCH KIT**



Two fiberglass-reinforced gray polyester latches with 316L stainless steel bail and screw-hole plugs are included in each package. Supplied with Continuous Hinge, Type 4X enclosures and available for Fiberglass Hinged Cover WiFi Cabinet, Type 4X. Kit converts screw-cover enclosures to quick-release without modification. No tools needed to install. Padlocking provision is included.

**BULLETIN: A48Y**

| Catalog Number | Description             | Kit Qty. |
|----------------|-------------------------|----------|
| AL48           | Quick-Release Latch Kit | 2        |

**SWING-OUT PANEL KIT**



The Swing-Out Panel Kit provides an attractive, cost-effective solution for installing front-mounted panels in Continuous Hinge, Type 4X, and Overlapping Cover, Type 4X enclosures. No drilling required.

**BULLETIN: A48Y**

| Catalog Number | Fits Enclosure A x B (in.) | Fits Enclosure A x B (mm) |
|----------------|----------------------------|---------------------------|
| A6SPK6C        | 6.00 x 6.00                | 152 x 152                 |
| A8SPK6C        | 8.00 x 6.00                | 203 x 152                 |
| A10SPK8C       | 10.00 x 8.00               | 254 x 203                 |
| A12SPK10C      | 12.00 x 10.00              | 305 x 254                 |
| A16SPK14C      | 16.00 x 14.00              | 406 x 356                 |
| A18SPK16C      | 18.00 x 16.00              | 457 x 406                 |
| A14SPK12C      | 14.00 x 12.00              | 356 x 305                 |

**MOUNTING FOOT KIT**



One-piece mounting foot kit consists of the necessary hardware to attach two fiberglass feet, molded from the same material as our A48 enclosure. This compression-molded fiberglass material has excellent chemical and temperature resistance and provides outstanding performance and durability in harsh environments. The mounting feet can be field installed on either the 18x16 or the 20x16 enclosure.

**BULLETIN: A48**

| Catalog Number | Description       | Kit Qty. |
|----------------|-------------------|----------|
| A48MFT16A      | Mounting Foot Kit | 2        |

## X-ON Electronics

Largest Supplier of Electrical and Electronic Components

*Click to view similar products for [hoffman manufacturer](#):*

Other Similar products are found below :

[F-44LE45B](#) [A-1412CHQR](#) [CSD201610](#) [CSD20168SS](#) [CSD20206](#) [CSD20208SS](#) [CSD24168](#) [CSD36248](#) [PCU7](#) [PDS76R](#) [PRA197TP](#) [PT126](#)  
[A1008CHNFSS](#) [A10106CH](#) [A10106CHFL](#) [A10106PHCW](#) [A1066JFGQRR](#) [A1210CHNF](#) [A1212SC](#) [A1412CHNFSS](#) [A161208LP](#)  
[A161410CH](#) [A16H12ALP](#) [A16P14](#) [A16P16G](#) [A18P16AL](#) [A20H16BLP](#) [A20P16](#) [A24H2408SSLP](#) [Q13138PCE](#) [A404CH](#) [A606CHNF](#)  
[A606NF](#) [A806SC](#) [A845JFGR](#) [A864CHQRFGW](#) [A90P36F1](#) [HJ1412HWPL2LG](#) [HJ1816HWPL2LG](#) [RHJ1210HWPL2LG](#) [AS125SS](#)  
[ASE10X10X4](#) [ASE12X12X4](#) [E1PBG](#) [E2PBG](#) [E3PB](#) [LED24V15](#) [LF230VD](#) [A10106PHC](#) [A10P8SS](#)