

**SCREW COVER, CONTOURED, TYPE 4**

**INDUSTRY STANDARDS**

 UL 508A Listed; Type 4, 6, 12, 13; File No. E61997  
 cUL Listed per CSA C22.2 No. 94; Type 4, 6, 12, 13; File No. E61997

 NEMA Type 4, 6, 12, 13  
 CSA, File No. 42186: Type 4, 12, 13  
 IEC 60529, IP67

**APPLICATION**

With its aesthetic, rounded corners, this enclosure is an economical solution for a broad range of electrical and terminal wiring applications that do not require a back panel.

**SPECIFICATIONS**

- Drawn 16 gauge steel
- No welded seams or sharp corners
- Formed flanged cover
- Cover screws
- Oil-resistant gasket
- External wall-mounting brackets
- Bonding provision on cover
- Grounding stud on body

**FINISH**

ANSI 61 gray polyester powder paint inside and out

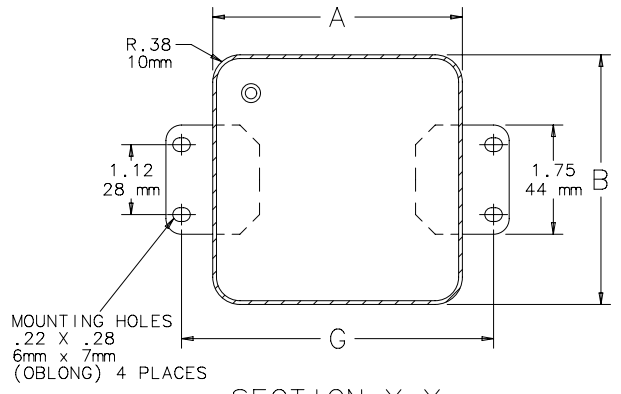
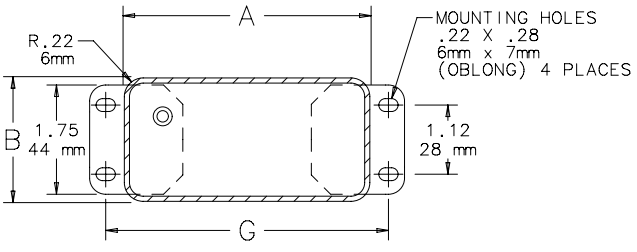
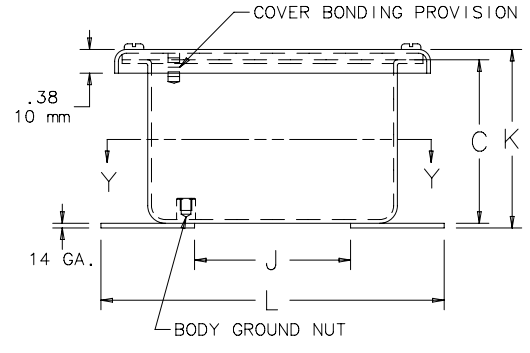
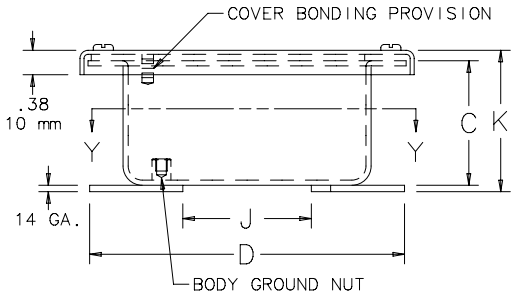
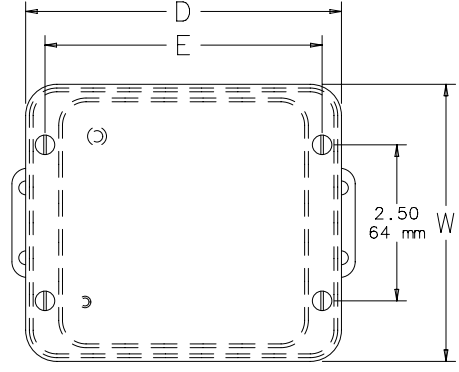
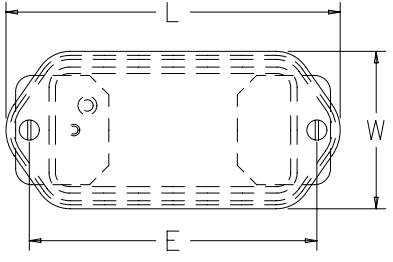
**MODIFICATION AND CUSTOMIZATION**

Hoffman excels at modifying and customizing products to your specifications. Contact your local Hoffman sales office or distributor for complete information.

**BULLETIN: A51DR**

## Standard Product

Catalog Number	AxBxC in./mm	Interior Volume (in. <sup>3</sup> )	Mounting G in./mm	Overall L x W in./mm	D in./mm	E in./mm	J in./mm	K in./mm
A402DSC	4.00 x 2.00 x 2.00	13.9	4.50	5.06 x 2.44	5.00	4.44	2.00	2.24
	102 x 51 x 51		114	129 x 62	127	113	51	57
A403DSC	4.50 x 2.88 x 2.62	30.7	5.00	5.56 x 3.31	5.50	4.94	2.50	2.86
	114 x 73 x 67		127	141 x 84	140	125	64	73
A404DSC	4.00 x 4.00 x 2.62	38.2	5.00	5.50 x 4.44	5.06	4.44	2.50	2.86
	102 x 102 x 37		127	140 x 113	129	113	64	73



C2472-C

## X-ON Electronics

Largest Supplier of Electrical and Electronic Components

*Click to view similar products for [hoffman manufacturer](#):*

Other Similar products are found below :

[A-1412CHQR](#) [CSD201610](#) [CSD20168SS](#) [CSD20206](#) [CSD20208SS](#) [CSD24168](#) [CSD36248](#) [PCU7](#) [PDS76R](#) [PRA197TP](#) [PT126](#)  
[A1008CHNFSS](#) [A10106CH](#) [A10106CHFL](#) [A10106PHCW](#) [A1066JFGQRR](#) [A1210CHNF](#) [A1212SC](#) [A1412CHNFSS](#) [A161208LP](#)  
[A161410CH](#) [A16H12ALP](#) [A16P14](#) [A16P16G](#) [A18P16AL](#) [A20H16BLP](#) [A20P16](#) [A24H2408SSLP](#) [Q13138PCE](#) [A404CH](#) [A606CHNF](#)  
[A606NF](#) [A806SC](#) [A845JFGR](#) [A864CHQRFGW](#) [A90P36F1](#) [HJ1412HWPL2LG](#) [HJ1816HWPL2LG](#) [RHJ1210HWPL2LG](#) [AS125SS](#)  
[ASE10X10X4](#) [ASE12X12X4](#) [E1PBG](#) [E2PBG](#) [E3PB](#) [LED24V15](#) [LF230VD](#) [A10106PHC](#) [A10P8SS](#) [A1210CHEMC](#)