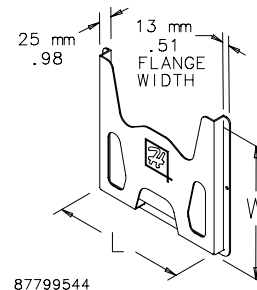


THERMOPLASTIC DATA POCKET



Provides a convenient place to store wiring diagrams, operation manuals and other documentation inside the enclosure. Adhesive-backed pockets mount inside the solid enclosure cover. Mounting hardware included. Thermoplastic pockets are dark gray and have cut-away areas for easy inspection of contents.

BULLETIN: UX1Y



87799544

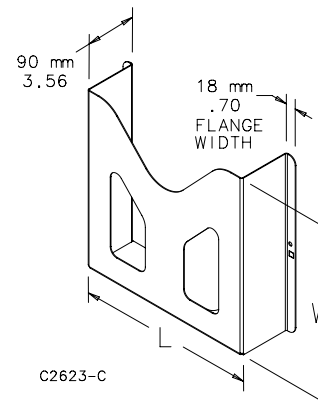
Catalog Number	Description	Size L x W in./mm
ADP1	Small pocket	6.00 x 6.00 152 x 152
ADP2	Large pocket	12.00 x 12.00 305 x 305

METAL DATA POCKET



Three-inch (76-mm) deep Metal Data Pocket provides a convenient place to store wiring diagrams, operation manuals and other documentation inside the enclosure. Large enough to store 3-ring binders. Mounting hardware is included. Painted white and has cut-away areas for easy inspection of contents.

BULLETIN: A34Y



C2623-C

Catalog Number	Fits A x B in./mm	Size L x W in./mm
ADP3	greater than or equal to 30.00 x 24.00 greater than or equal to 762 x 610	12.00 x 12.00 305 x 305

EXTERNAL DATA POCKETS, TYPE 4/4X/12



Mild steel coated with polyester powder paint

Type 304 stainless steel

INDUSTRY STANDARDS**Mild Steel Models:**

UL 508A Listed; Type 4, 12; File No. E61997
cUL Listed per C22.2 No. 94; Type 4, 12; File No. E61997

NEMA/EEMAC Type 4, 12
IEC 60529, IP66

Stainless Steel Models:

UL 508A Listed; Type 4, 4X, 12; File No. E61997
cUL Listed per C22.2 No. 94; Type 4, 4X, 12; File No. E61997

NEMA/EEMAC Type 4, 4X, 12
IEC 60529, IP66

APPLICATION

Mounted on the exterior of an enclosure, Data Pockets allow access to system documentation without having to open the enclosure door.

FEATURES

- Available in mild steel or stainless steel to match the enclosure finish
- Foam-in-place gasket to protect documentation from harsh environments
- Hinged front for easy access to contents
- Three sizes accommodate a wide variety of documents
- Sloped top sheds liquids and prevents accumulation of extraneous material
- Optional wing knob and keylock inserts available for additional security

SPECIFICATIONS

- 16 gauge steel or 16 gauge Type 304 stainless steel
- Front of pocket hinges away from frame

FINISH

Mild steel models are either ANSI 61 medium-gray or RAL 7035 light-gray polyester powder finish inside and out. Stainless steel models have brushed finish.

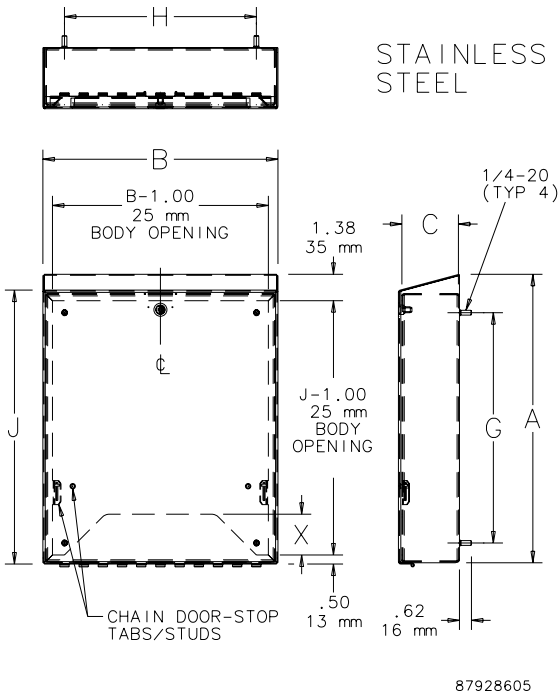
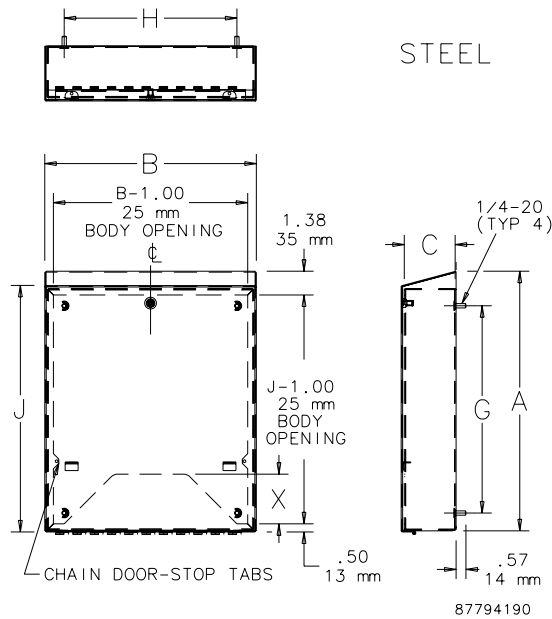
ACCESSORIES

Key Inserts
Wing Knob Latch

BULLETIN: A70E

Standard Product

Catalog Number	AxBxC in.	AxBxC mm	Finish	G (in.)	G (mm)	H (in.)	H (mm)	J (in.)	J (mm)
ADPX4A	15.10 x 12.25 x 3.18	384 x 311 x 81	ANSI 61 paint	12.00	305	10.00	254	14.25	362
ADPX4ALG	15.10 x 12.25 x 3.18	384 x 311 x 81	RAL 7035 paint	12.00	305	10.00	254	14.25	362
ADPX4ASS	15.10 x 12.25 x 3.18	384 x 311 x 81	Brushed stainless steel	12.00	305	10.00	254	14.25	362
ADPX4B	6.83 x 6.25 x 2.18	173 x 159 x 55	ANSI 61 paint	4.00	102	4.00	102	6.25	159
ADPX4BLG	6.83 x 6.25 x 2.18	173 x 159 x 55	RAL 7035 paint	4.00	102	4.00	102	6.25	159
ADPX4BSS	6.83 x 6.25 x 2.18	173 x 159 x 55	Brushed stainless steel	4.00	102	4.00	102	6.25	159
ADPX4C	12.96 x 18.25 x 2.68	329 x 484 x 68	ANSI 61 paint	10.00	254	16.00	406	12.25	311
ADPX4CLG	12.96 x 18.25 x 2.68	329 x 484 x 68	RAL 7035 paint	10.00	254	16.00	406	12.25	311
ADPX4CSS	12.96 x 18.25 x 2.68	329 x 484 x 68	Brushed stainless steel	10.00	254	16.00	406	12.25	311



Notes

X-ON Electronics

Largest Supplier of Electrical and Electronic Components

Click to view similar products for [hoffman manufacturer](#):

Other Similar products are found below :

[A-1412CHQR](#) [CSD201610](#) [CSD20168SS](#) [CSD20206](#) [CSD20208SS](#) [CSD24168](#) [CSD36248](#) [CSD36308](#) [PCU7](#) [PT126](#) [A1008CHNFSS](#)
[A10106CH](#) [A10106CHFL](#) [A10106PHCW](#) [A1066JFGQRR](#) [A1210CHNF](#) [A1212SC](#) [A1412CHNFSS](#) [A161208LP](#) [A161410CH](#) [A16H12ALP](#)
[A16P14](#) [A16P16G](#) [A18P16AL](#) [A20H16BLP](#) [A20P16](#) [A24H2408SSLP](#) [Q13138PCE](#) [A404CH](#) [A606CHNF](#) [A606NF](#) [A806SC](#) [A845JFGR](#)
[A864CHQRFGW](#) [A90P36F1](#) [HJ1412HWPL2LG](#) [HJ1816HWPL2LG](#) [RHJ1210HWPL2LG](#) [AS125SS](#) [ASE10X10X4](#) [ASE12X12X4](#) [E1PBG](#)
[E2PBG](#) [E3PB](#) [LED24V15](#) [LF230VD](#) [A10106PHC](#) [A10P8SS](#) [A1210CHEMC](#) [A1210CHFL](#)