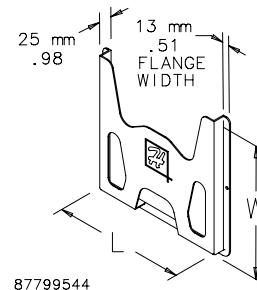


### THERMOPLASTIC DATA POCKET



Provides a convenient place to store wiring diagrams, operation manuals and other documentation inside the enclosure. Adhesive-backed pockets mount inside the solid enclosure cover. Mounting hardware included. Thermoplastic pockets are dark gray and have cut-away areas for easy inspection of contents.

**BULLETIN: UX1Y**



87799544

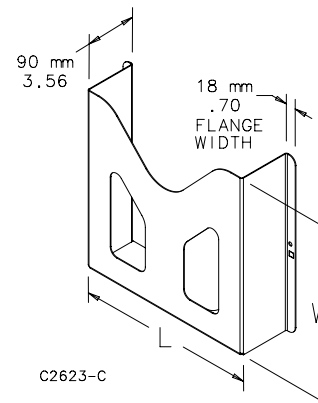
Catalog Number	Description	Size L x W in./mm
ADP1	Small pocket	6.00 x 6.00 152 x 152
ADP2	Large pocket	12.00 x 12.00 305 x 305

### METAL DATA POCKET



Three-inch (76-mm) deep Metal Data Pocket provides a convenient place to store wiring diagrams, operation manuals and other documentation inside the enclosure. Large enough to store 3-ring binders. Mounting hardware is included. Painted white and has cut-away areas for easy inspection of contents.

**BULLETIN: A34Y**



C2623-C

Catalog Number	Fits A x B in./mm	Size L x W in./mm
ADP3	greater than or equal to 30.00 x 24.00 greater than or equal to 762 x 610	12.00 x 12.00 305 x 305

## EXTERNAL DATA POCKETS, TYPE 4/4X/12



*Mild steel coated with polyester powder paint*

*Type 304 stainless steel*

**INDUSTRY STANDARDS****Mild Steel Models:**

UL 508A Listed; Type 4, 12; File No. E61997  
cUL Listed per C22.2 No. 94; Type 4, 12; File No. E61997

NEMA/EEMAC Type 4, 12  
IEC 60529, IP66

**Stainless Steel Models:**

UL 508A Listed; Type 4, 4X, 12; File No. E61997  
cUL Listed per C22.2 No. 94; Type 4, 4X, 12; File No. E61997

NEMA/EEMAC Type 4, 4X, 12  
IEC 60529, IP66

**APPLICATION**

Mounted on the exterior of an enclosure, Data Pockets allow access to system documentation without having to open the enclosure door.

**FEATURES**

- Available in mild steel or stainless steel to match the enclosure finish
- Foam-in-place gasket to protect documentation from harsh environments
- Hinged front for easy access to contents
- Three sizes accommodate a wide variety of documents
- Sloped top sheds liquids and prevents accumulation of extraneous material
- Optional wing knob and keylock inserts available for additional security

**SPECIFICATIONS**

- 16 gauge steel or 16 gauge Type 304 stainless steel
- Front of pocket hinges away from frame

**FINISH**

Mild steel models are either ANSI 61 medium-gray or RAL 7035 light-gray polyester powder finish inside and out. Stainless steel models have brushed finish.

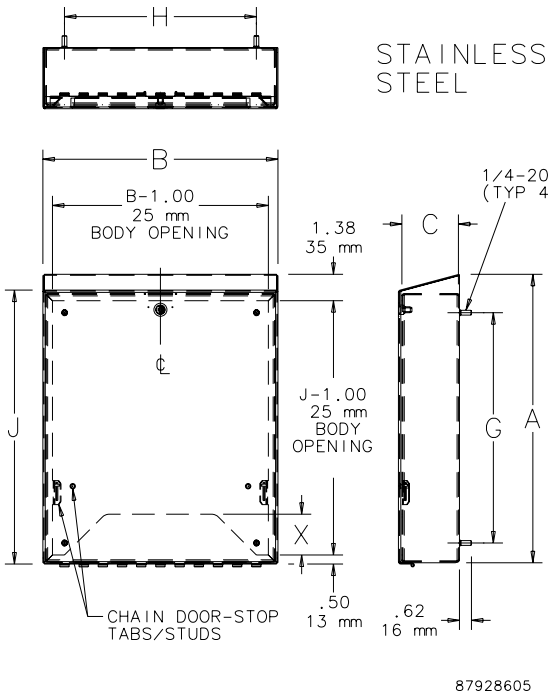
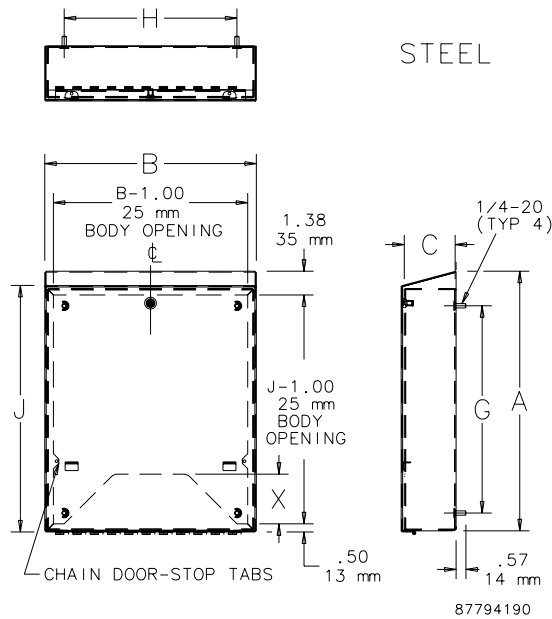
**ACCESSORIES**

Key Inserts  
Wing Knob Latch

**BULLETIN: A70E**

## Standard Product

Catalog Number	AxBxC in.	AxBxC mm	Finish	G (in.)	G (mm)	H (in.)	H (mm)	J (in.)	J (mm)
ADPX4A	15.10 x 12.25 x 3.18	384 x 311 x 81	ANSI 61 paint	12.00	305	10.00	254	14.25	362
ADPX4ALG	15.10 x 12.25 x 3.18	384 x 311 x 81	RAL 7035 paint	12.00	305	10.00	254	14.25	362
ADPX4ASS	15.10 x 12.25 x 3.18	384 x 311 x 81	Brushed stainless steel	12.00	305	10.00	254	14.25	362
ADPX4B	6.83 x 6.25 x 2.18	173 x 159 x 55	ANSI 61 paint	4.00	102	4.00	102	6.25	159
ADPX4BLG	6.83 x 6.25 x 2.18	173 x 159 x 55	RAL 7035 paint	4.00	102	4.00	102	6.25	159
ADPX4BSS	6.83 x 6.25 x 2.18	173 x 159 x 55	Brushed stainless steel	4.00	102	4.00	102	6.25	159
ADPX4C	12.96 x 18.25 x 2.68	329 x 484 x 68	ANSI 61 paint	10.00	254	16.00	406	12.25	311
ADPX4CLG	12.96 x 18.25 x 2.68	329 x 484 x 68	RAL 7035 paint	10.00	254	16.00	406	12.25	311
ADPX4CSS	12.96 x 18.25 x 2.68	329 x 484 x 68	Brushed stainless steel	10.00	254	16.00	406	12.25	311



## Notes

## X-ON Electronics

Largest Supplier of Electrical and Electronic Components

*Click to view similar products for [hoffman](#) manufacturer:*

Other Similar products are found below :

[A-1412CHQR](#) [CSD201610](#) [CSD20168SS](#) [CSD20206](#) [CSD20208SS](#) [CSD24168](#) [CSD36248](#) [CSD36308](#) [PCU7](#) [PT126](#) [A1008CHNFSS](#)  
[A10106CH](#) [A10106CHFL](#) [A10106PHCW](#) [A1066JFGQRR](#) [A1210CHNF](#) [A1212SC](#) [A1412CHNFSS](#) [A161208LP](#) [A161410CH](#) [A16H12ALP](#)  
[A16P14](#) [A16P16G](#) [A18P16AL](#) [A20H16BLP](#) [A20P16](#) [A24H2408SSLP](#) [Q13138PCE](#) [A404CH](#) [A606CHNF](#) [A606NF](#) [A806SC](#) [A845JFGR](#)  
[A864CHQRFGW](#) [A90P36F1](#) [HJ1412HWPL2LG](#) [HJ1816HWPL2LG](#) [RHJ1210HWPL2LG](#) [AS125SS](#) [ASE10X10X4](#) [ASE12X12X4](#) [E1PBG](#)  
[E2PBG](#) [E3PB](#) [LED24V15](#) [LF230VD](#) [A10106PHC](#) [A10P8SS](#) [A1210CHEMC](#) [A1210CHFL](#)