

## FAN SHROUD KIT, TYPE 3R



### INDUSTRY STANDARDS

Maintains UL/cUL Type 3R rating when properly installed on a UL/cUL Type 3R enclosure.

UL 508A Listed; Type 3R; File No. E61997  
 cUL Listed per CSA C22.2 No. 94; Type 3R; File No. E61997

NEMA/EEMAC Type 3R  
 IEC 60529, IP22

### APPLICATION

Fan Shroud Kits protect outdoor enclosure openings from rain, sleet and snow.

### FEATURES

- Two fan shrouds per package
- Perforated ventilation screen
- Pressure-sensitive adhesive-backed gasket and mounting hardware

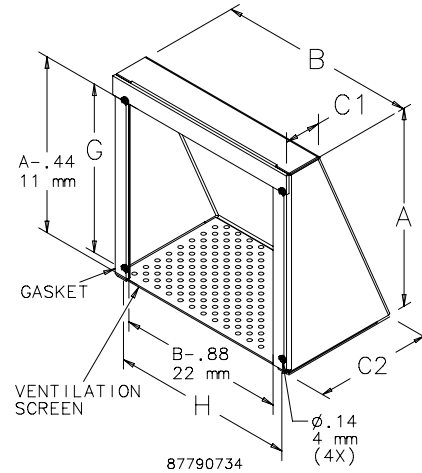
### SPECIFICATIONS

- 16 gauge mild steel or Type 304 stainless steel

### FINISH

ANSI 61 gray polyester powder coating over mild steel; smooth #4 brushed finish on stainless steel

BULLETIN: D85



### Standard Product

Catalog Number	Material	A (in.)	A (mm)	B (in.)	B (mm)	C1 (in.)	C1 (mm)	C2 (in.)	C2 (mm)	G (in.)	G (mm)	H (in.)	H (mm)
T4S3R	Steel	6.00	152	6.00	152	1.44	37	4.69	119	4.69	119	5.25	133
T6S3R	Steel	8.00	203	8.00	203	1.44	37	4.69	119	6.69	170	7.25	184
T10S3R	Steel	12.00	305	12.00	305	1.44	37	4.71	120	10.69	272	11.25	286
T4S3RSS	Stainless Steel	6.00	152	6.00	152	1.44	37	4.69	119	4.69	119	5.25	113
T6S3RSS	Stainless Steel	8.00	203	8.00	203	1.44	37	4.69	119	6.69	170	7.25	184
T10S3RSS	Stainless Steel	12.00	305	12.00	305	1.44	37	4.71	120	10.69	272	11.25	286

### Usage Chart

Catalog Number	Compact Cooling (muffin) Fans (4 in.)	Compact Cooling (muffin) Fans (6 in.)	Compact Cooling (muffin) Fans (10 in.)	Cooling and Exhaust Fan Packages (TFP4-)	Cooling and Exhaust Fan Packages (TFP6-)	Filter Fan Packages (HF05-)	Filter Fan Packages (HF09-)	Filter Fan Packages (HF10-)
T4S3R	•							
T6S3R	•	•						
T10S3R	•	•	•					•
T4S3RSS	•							
T6S3RSS	•	•						
T10S3RSS	•	•	•	•	•	•	•	•

## Notes

## X-ON Electronics

Largest Supplier of Electrical and Electronic Components

*Click to view similar products for [hoffman manufacturer](#):*

Other Similar products are found below :

[A-1412CHQR](#) [CSD201610](#) [CSD20168SS](#) [CSD20206](#) [CSD20208SS](#) [CSD24168](#) [CSD36248](#) [CSD36308](#) [PCU7](#) [PT126](#) [A1008CHNFSS](#)  
[A10106CH](#) [A10106CHFL](#) [A10106PHCW](#) [A1066JFGQRR](#) [A1210CHNF](#) [A1212SC](#) [A1412CHNFSS](#) [A161208LP](#) [A161410CH](#) [A16H12ALP](#)  
[A16P14](#) [A16P16G](#) [A18P16AL](#) [A20H16BLP](#) [A20P16](#) [A24H2408SSLP](#) [Q13138PCE](#) [A404CH](#) [A606CHNF](#) [A606NF](#) [A806SC](#) [A845JFGR](#)  
[A864CHQRFGW](#) [A90P36F1](#) [HJ1412HWPL2LG](#) [HJ1816HWPL2LG](#) [RHJ1210HWPL2LG](#) [AS125SS](#) [ASE10X10X4](#) [ASE12X12X4](#) [E1PBG](#)  
[E2PBG](#) [E3PB](#) [LED24V15](#) [LF230VD](#) [A10106PHC](#) [A10P8SS](#) [A1210CHEMC](#) [A1210CHFL](#)