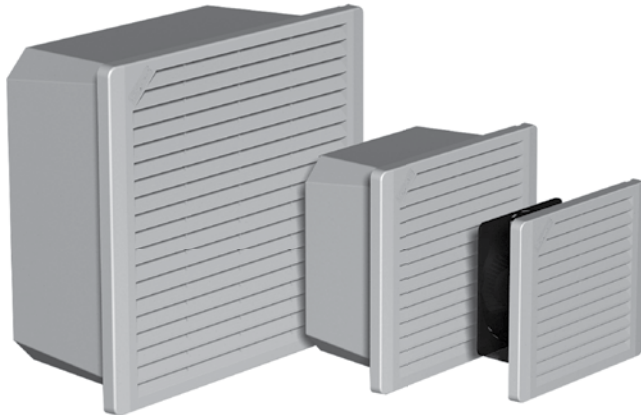


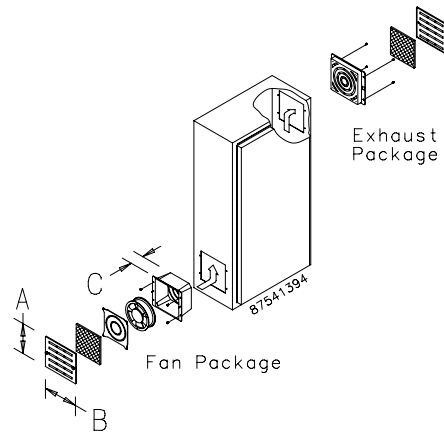
**TFP SIDE-MOUNT**



**TFP10**  
215 CFM  
(365 m<sup>3</sup>/hr.)

**TFP6**  
140 CFM  
(238 m<sup>3</sup>/hr.)

**TFP4**  
55 CFM  
(93 m<sup>3</sup>/hr.)



**INDUSTRY STANDARDS**

UL 508A Component Recognized; File No. E61997  
TFP# Models: Type 1  
TFP# UL 12 Models: Type 12

CSA certified (fan only)  
CE

**APPLICATION**

- Industrial automation
- Automotive assembly
- Package handling equipment
- Food and beverage process controls
- Wind energy systems

**FEATURES**

- Cooling Fan Package includes fan, air filter, composite air plenum, finger guard and grille
- Exhaust Package includes air filter, filter retainer with integral finger guard and grille
- EMC Upgrade Kit includes a grille standoff collar and a special EMC shielding grille
- Reliable cooling for enclosures with limited space requiring simple filtered airflow for basic cooling
- 24 VDC, 115 VAC and 230 VAC options available
- Washable foam (Type 1) or disposable (Type 12) filter in fan
- Dynamically-balanced fan impellers molded from polycarbonate material

- 4-in. fan is thermally protected and uses permanently-lubricated ball bearings
- 6- and 10-in. fans have ball bearing construction and split-capacitor motors that are thermally protected to avoid premature failure
- Fans have lead wires for power connection with ends stripped 1/2 in. (12 mm)
- All mounting hardware and installation instructions are furnished

**SPECIFICATIONS**

- Free airflow from 45 CFM (76 m<sup>3</sup>/hr.) to 215 CFM (365 m<sup>3</sup>/hr.)
- Maximum operating temperature 158 F / 70 C
- Engineered for 50,000 hours of continuous operation without lubrication or service (a monthly maintenance schedule is recommended to ensure optimal cooling performance)

**FINISH**

- Stainless steel grilles have brushed finish.
- ABS composite grille is black.

**ACCESSORIES**

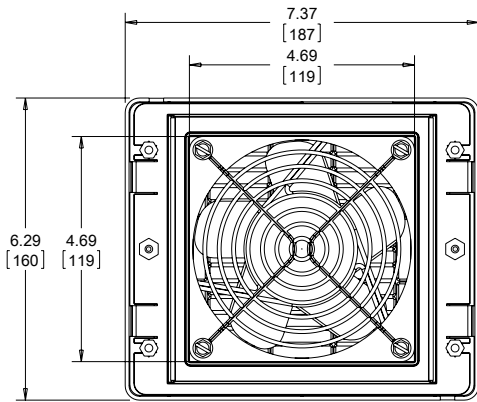
Aluminum Type 1 and Hi-Density Type 12 Filters  
EMC Upgrade Kit  
Grille Options:  
Stainless Steel  
Black ABS Plastic

Performance Data **TFP4 Models**

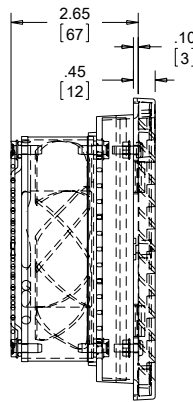
<b>ELECTRICAL DATA</b>			
<b>Rated Voltage</b>	<b>24 VDC</b>	<b>115 VAC</b>	<b>230 VAC</b>
Frequency (Hz)		50/60	
Nominal Current Maximum @ 50/60 Hz(Amps)	.35	.26/.21	.14/.11
Power Consumption Maximum @ 50/60 Hz (Watts)	8.4	17/15	16/14
Power Connection	Stripped Leadwires		
<b>CATALOG NUMBERS</b>			
Composite Type 1			
Catalog Number	<b>TFP424</b>	<b>TFP41</b>	<b>TFP42</b>
Stainless Steel Type 1			
Catalog Number	—	<b>TFP41SS</b>	<b>TFP42SS</b>
Composite Type 12			
Catalog Number	—	<b>TFP41UL12</b>	<b>TFP42UL12</b>
Free Airflow @ 50/60 Hz (CFM)*	55	45/55	45/55
Free Airflow @ 50/60 Hz (m <sup>3</sup> /hr.)*	93	76/93	76/93
<b>UNIT CONSTRUCTION</b>			
Noise SIL @ 50/60 Hz (dBA)	65	37/41	37/41
Maximum Operating Temperature (°F/°C)		158/70	
Unit Dimensions - H x W x D (in./mm)		6.29 x 7.37 x 2.65/160 x 187 x 67	
Cutout Dimensions - H x W (in./mm)		5.66 x 5.66/144 x 144	
Weight (lb./kg)	4.2/1.90	4.2/1.90	4.3/1.95
<b>EXHAUST GRILLE CATALOG NUMBERS</b>			
Composite Type 1			
Catalog Number		TEP4	
Stainless Steel Type 1			
Catalog Number		TEP4SS	
Composite Type 12			
Catalog Number		TEP4UL12	

\*CFM with single exhaust grille installed.

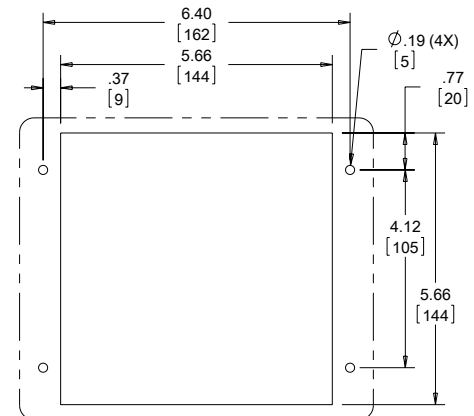
**TFP4 Models**



**BACK VIEW**

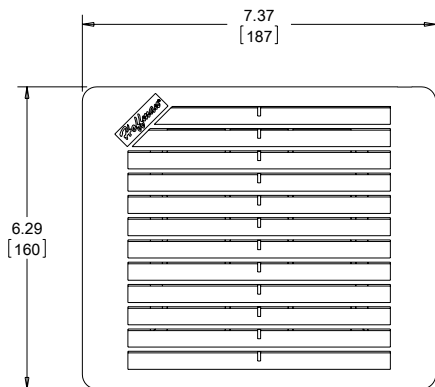


**SIDE VIEW**

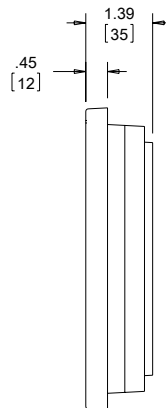


**CUTOUT DIMENSIONS**

**TEP4 EXHAUST GRILLE**



Exhaust grille included with fan package

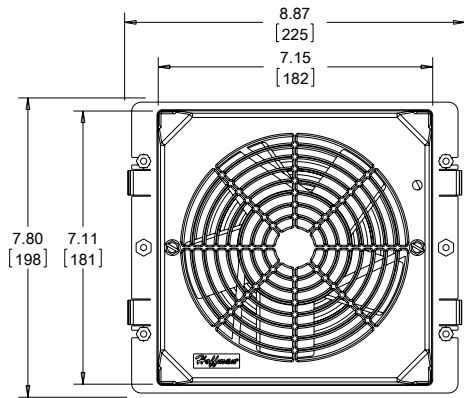


89084706

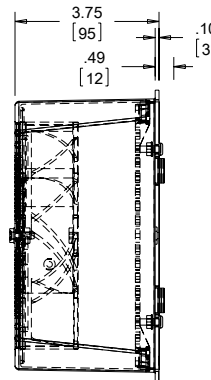
Performance Data **TFP6 Models**

<b>ELECTRICAL DATA</b>			
<b>Rated Voltage</b>	<b>24 VDC</b>	<b>115 VAC</b>	<b>230 VAC</b>
Frequency (Hz)		50/60	
Nominal Current Maximum @ 50/60 Hz(Amps)	.88	.45/.36	.23/.18
Power Consumption Maximum @ 50/60 Hz (Watts)	21.1	36/32	39/35
Power Connection	Stripped Leadwires		
<b>CATALOG NUMBERS</b>			
Composite Type 1			
Catalog Number	<b>TFP624</b>	<b>TFP61</b>	<b>TFP62</b>
Stainless Steel Type 1			
Catalog Number	—	<b>TFP61SS</b>	<b>TFP62SS</b>
Composite Type 12			
Catalog Number	—	<b>TFP61UL12</b>	<b>TFP62UL12</b>
Free Airflow @ 50/60 Hz (CFM)*	140	117/140	117/140
Free Airflow @ 50/60 Hz (m <sup>3</sup> /hr.)*	238	199/238	199/238
<b>UNIT CONSTRUCTION</b>			
Noise SIL @ 50/60 Hz (dBA)	62.5	50/56	50/56
Maximum Operating Temperature (°F/°C)		158/70	
Unit Dimensions - H x W x D (in./mm)		7.80 x 8.87 x 3.75/198 x 225 x 95	
Cutout Dimensions - H x W (in./mm)		7.16 x 7.16/182 x 182	
Weight (lb./kg)	5.3/2.40	5.3/2.40	5.4/2.45
<b>EXHAUST GRILLE CATALOG NUMBERS</b>			
Composite Type 1			
Catalog Number		TEP6	
Stainless Steel Type 1			
Catalog Number		TEP6SS	
Composite Type 12			
Catalog Number		TEP6UL12	

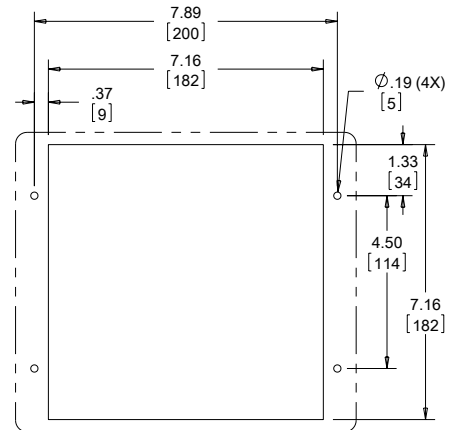
\*CFM with single exhaust grille installed.

**TFP6 Models**


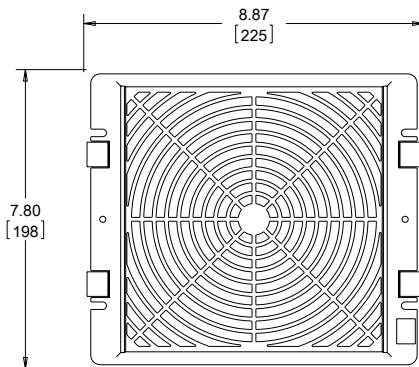
BACK VIEW



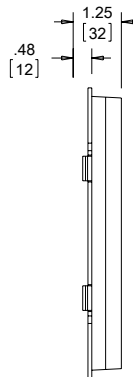
SIDE VIEW



CUTOUT DIMENSIONS

**TEP6 EXHAUST GRILLE**


Exhaust grille included with fan package

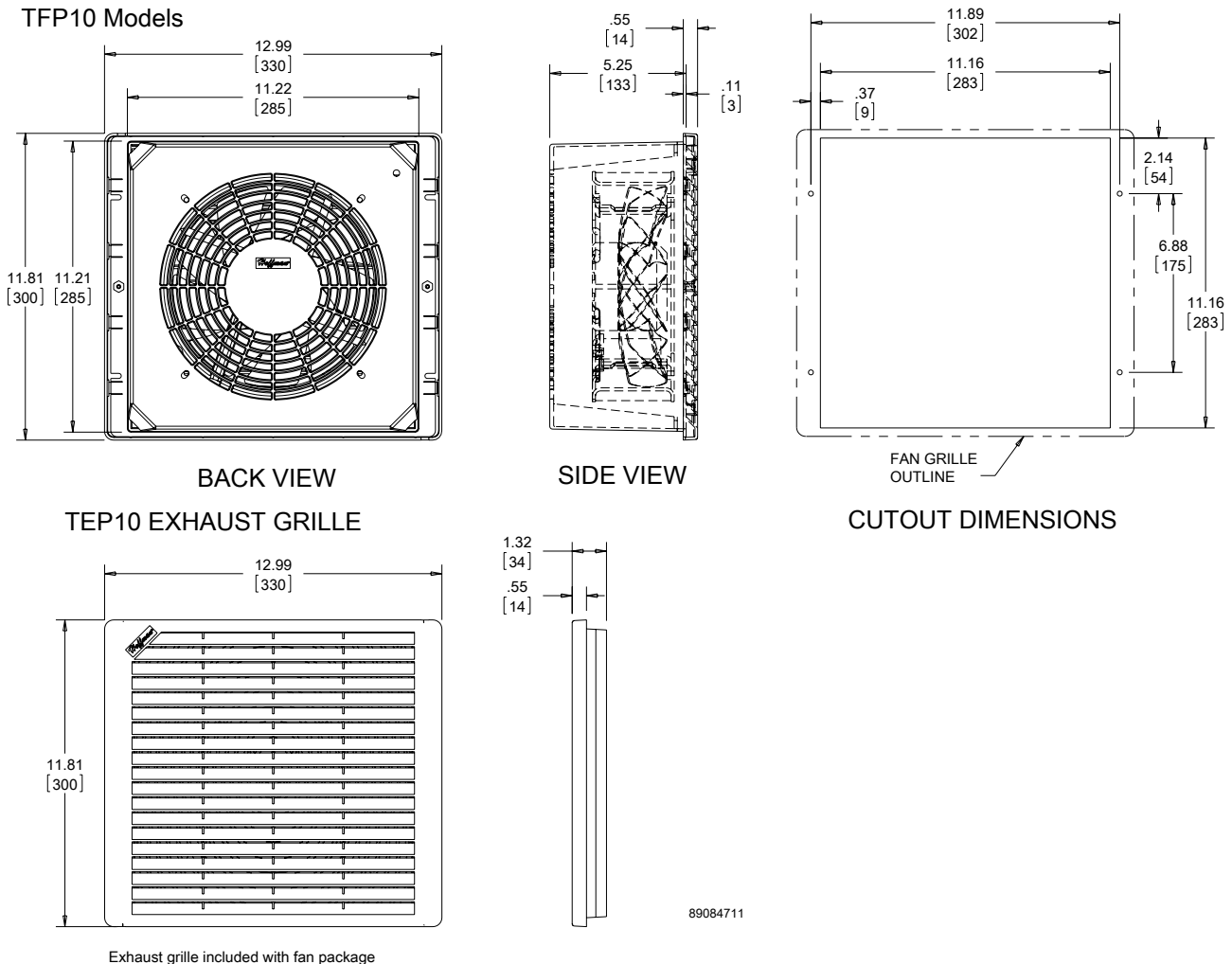


89084710

Performance Data **TFP10 Models**

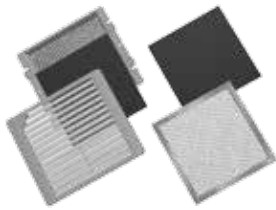
<b>ELECTRICAL DATA</b>			
<b>Rated Voltage</b>	<b>115 VAC</b>		<b>230 VAC</b>
Frequency (Hz)		50/60	
Nominal Current Maximum @ 50/60 Hz(Amps)	.58/.70		.29/.35
Power Consumption Maximum @ 50/60 Hz (Watts)	64/80		64/80
Power Connection	Stripped Leadwires		
<b>CATALOG NUMBERS</b>			
Composite Type 1			
Catalog Number	<b>TFP101</b>		<b>TFP102</b>
Stainless Steel Type 1			
Catalog Number	<b>TFP101SS</b>		<b>TFP102SS</b>
Composite Type 12			
Catalog Number	<b>TFP101UL12</b>		<b>TFP102UL12</b>
Free Airflow @ 50/60 Hz (CFM)*	180/215		180/215
Free Airflow @ 50/60 Hz (m <sup>3</sup> /hr.)*	306/365		306/365
<b>UNIT CONSTRUCTION</b>			
Noise SIL @ 50/60 Hz (dBA)	54/61		54/61
Maximum Operating Temperature (°F/°C)	167/75		167/75
Unit Dimensions - H x W x D (in./mm)	11.81 x 12.99 x 5.25/300 x 330 x 133		
Cutout Dimensions - H x W (in./mm)	11.16 x 11.16/283 x 283		
Weight (lb./kg)	12.0/5.44		11.4/5.17
<b>EXHAUST GRILLE CATALOG NUMBERS</b>			
Composite Type 1			
Catalog Number		TEP10	
Stainless Steel Type 1			
Catalog Number		TEP10SS	
Composite Type 12			
Catalog Number		TEP10UL12	

\*CFM with single exhaust grille installed.



**TFP EXHAUST GRILLES**


CATALOG NUMBERS	Nominal Fan Size
<b>TEP4 Models</b>	
TEP4	4
TEP4SS	4
TEP4UL12	4
<b>TEP6 Models</b>	
TEP6	6
TEP6SS	6
TEP6UL12	6
<b>TEP10 Models</b>	
TEP10	10
TEP10SS	10
TEP10UL12	10

**TFP OPTIONAL GRILLES AND REPLACEMENT FILTERS**


Optional grilles offer the choice of stainless steel or black ABS plastic. These grilles replace the standard RAL 7035 gray composite or stainless steel grilles on both fan and exhaust packages. Standard replacement filters are washable foam (Type 1) or disposable (Type 12). To maintain UL Type 12 rating on the enclosure, UL Type 12 filters must be used on the fan package inlet. Washable aluminum filters are also available. Aluminum filters are compatible with Type 1 systems only. *Type 12 air filters are not washable.*

CATALOG NUMBERS	Description	Fits Fan and Exhaust Nominal Size	Fits Fan and Exhaust Grill Size (in./mm)
<b>4-inch Fan Models</b>			
TG4SS	Brushed stainless steel grille	4	6.29 x 7.31 x .81 160 x 186 x 21
TG4B	Black ABS plastic grille	4	6.29 x 7.37 x .81 160 x 187 x 21
AFLTR4	Type 1 filter replacement (5/package)	4	—
AFLTR4AL	Aluminum filter replacement (5/package)	4	—
TFLT4UL12	Type 12 filter replacement (5/package)	4	—
<b>6-inch Fan Models</b>			
TG6SS	Brushed stainless steel grille	6	7.80 x 8.81 x .75 198 x 224 x 19
TG6B	Black ABS plastic grille	6	7.80 x 8.87 x .49 198 x 225 x 12
AFLTR6	Foam filter replacement (5/package)	6	—
AFLTR6AL	Aluminum filter replacement (5/package)	6	—
TFLT6UL12	UL 12 filter replacement (5/package)	6	—
<b>10-inch Fan Models</b>			
TG10SS	Brushed stainless steel grille	10	11.81 x 12.92 x .75 300 x 328 x 19
TG10B	Black ABS plastic grille	10	11.81 x 12.99 x .75 300 x 330 x 19
AFLTR10	Foam filter replacement (5/package)	10	—
AFLTR10AL	Aluminum filter replacement (5/package)	10	—
TFLT10UL12	UL 12 filter replacement (5/package)	10	—

Replacement filter for Type 12 fan package only (models TFF\_\_UL12). For Type 12 exhaust package use replacement filter AFLTRX.

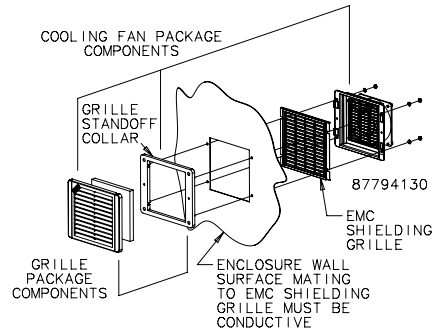
Filters fit all fan and exhaust packages according to their size.

### TFP EMC UPGRADE KIT

With the addition of this kit, the cooling fan and exhaust packages are upgraded to provide EMC (electromagnetic compatibility) protection. Consult Hoffman for shielding effectiveness (dB attenuation vs. frequency).

*Separate kits must be installed on both the inlet and outlet. Cooling fan and exhaust package must be ordered separately. EMC upgrade kit will not work with stainless steel grille option.*

CATALOG NUMBERS	Fits Cooling Fan Package	Fits Exhaust Grille
<b>4-inch Fan Models</b>		
T4EMC	TFP41/TFP42	TEP4
<b>6-inch Fan Models</b>		
T6EMC	TFP61/TFP62	TEP6
<b>10-inch Fan Models</b>		
T10EMC	TFP101/TFP102	TEP10



## X-ON Electronics

Largest Supplier of Electrical and Electronic Components

*Click to view similar products for [hoffman manufacturer](#):*

Other Similar products are found below :

[A-1412CHQR](#) [CSD201610](#) [CSD20168SS](#) [CSD20206](#) [CSD20208SS](#) [CSD24168](#) [CSD36248](#) [PCU7](#) [PDS76R](#) [PRA197TP](#) [PT126](#)  
[A1008CHNFSS](#) [A10106CH](#) [A10106CHFL](#) [A10106PHCW](#) [A1066JFGQRR](#) [A1210CHNF](#) [A1212SC](#) [A1412CHNFSS](#) [A161208LP](#)  
[A161410CH](#) [A16H12ALP](#) [A16P14](#) [A16P16G](#) [A18P16AL](#) [A20H16BLP](#) [A20P16](#) [A24H2408SSLP](#) [Q13138PCE](#) [A404CH](#) [A606CHNF](#)  
[A606NF](#) [A806SC](#) [A845JFGR](#) [A864CHQRFGW](#) [A90P36F1](#) [HJ1412HWPL2LG](#) [HJ1816HWPL2LG](#) [RHJ1210HWPL2LG](#) [AS125SS](#)  
[ASE10X10X4](#) [ASE12X12X4](#) [E1PBG](#) [E2PBG](#) [E3PB](#) [LED24V15](#) [LF230VD](#) [A10106PHC](#) [A10P8SS](#) [A1210CHEMC](#)