

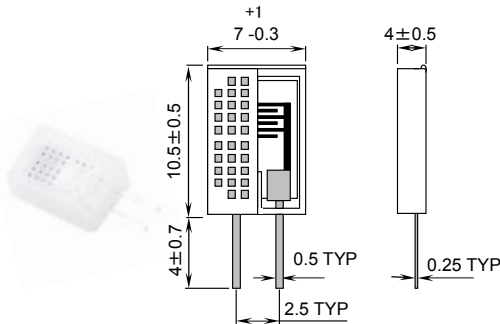


# Resistive Type humidity Sensor

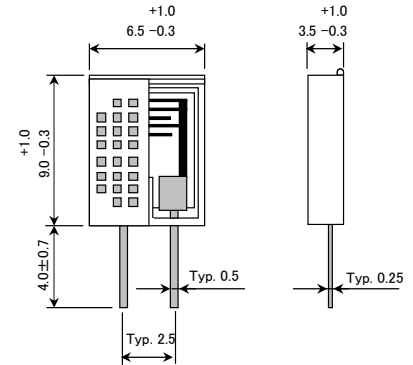
## 【Humidity Sensor】

Model No. HIS-06K-N

Model No. HIS-08



New



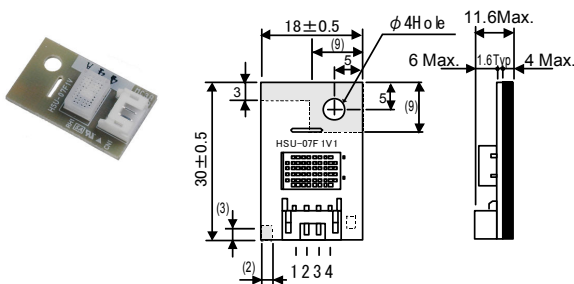
Unit : mm

| Item                       |                             | HIS-06K-N                                       | HIS-08                   |
|----------------------------|-----------------------------|---|--------------------------|
| Absolute Maximum Ratings   | Rated Voltage               | AC 5.5V Max.                                    |                          |
|                            | Rated Wattage               | 1.0mW   |                          |
|                            | Storage Temperature Range   | -25°C~70°C                                      |                          |
| Operating Range            | Operating Temperature Range | -20°C~60°C                                      |                          |
|                            | Operating Humidity Range    | 0%RH~90%RH                                      |                          |
| Electrical Characteristics | Output                      | 45.8kΩ (at : 25°C/50%RH)                        | 57.0kΩ (at : 25°C/50%RH) |
|                            | Output Accuracy             | ±5%RH (at.25°C/50%RH)                           |                          |
|                            | Hysteresis                  | ±1%RH (at.30~90%RH)                             |                          |
|                            | Response                    | 3.5minutes (at.30%RH⇔90%RH, 9%Reach, 1.2cm/sec) |                          |

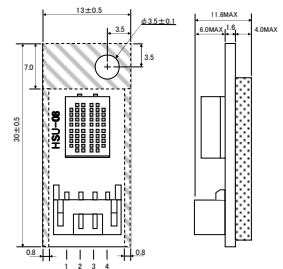
## 【Humidity Sensor Module】

Model No. HSU-07 Series

Model No. HSU-08 Series



New



| Item                       |                                     | HSU-07A1  | HSU-08F9C1                    | HSU-08F9B2                |
|----------------------------|-------------------------------------|---|-------------------------------|---------------------------|
| Absolute Maximum Ratings   | Rated Voltage                       | DC 5.0V(4.75~5.25V)                               |                               |                           |
|                            | Storage Humidity, Temperature Range | 0%RH~90%RH / -25°C~70°C                           |                               |                           |
| Operating Range            | Operating Temperature Range         | -20°C~60°C  |                               |                           |
|                            | Operating Humidity Range            | 20%RH~90%RH                                       | 10%RH~90%RH                   |                           |
| Electrical Characteristics | Output                              | 2.220V<br>(at.25°C/60%RH)                         | 1.386V<br>(at.25°C/60%RH)     | 1.550V<br>(at.25°C/60%RH) |
|                            | Output Accuracy                     | ±5%RH<br>(at.25°C/40%RH~60%RH)                    |                               |                           |
|                            | Current Consumption                 | 2.0mA Typ.  |                               |                           |
|                            | Hysteresis                          | ±1%RH (at.30%RH~90%RH)                            |                               |                           |
|                            | Thermistor Characteristics          | R25=47kΩ±5%<br>B25/50=4050±1%                     | R25=10kΩ±3%<br>B25/50=3900±3% |                           |
|                            | Response                            | 3.5minutes (at.30%RH⇔90%RH, 90% Reach, 1.2cm/sec) |                               |                           |

## X-ON Electronics

Largest Supplier of Electrical and Electronic Components

*Click to view similar products for [Industrial Humidity Sensors](#) category:*

*Click to view products by [Hokuriku](#) manufacturer:*

Other Similar products are found below :

[HTUF3535PVBM](#) [01411.2-00](#) [TH06](#) [HPP808H031](#) [1-100726-01](#) [1-100706-01](#) [1-100718-01](#) [1-101381-01](#) [1-101400-01](#) [1-101461-01](#) [1-101385-01](#) [1-101386-01](#) [1-101415-01](#) [1-101416-01](#) [1-100811-01](#) [T9602-3-A](#) [2JCIE-BL01](#) [P40254276](#) [T8700-E](#) [HUMI-DP-XR-S](#) [AR250/U](#) [1-100707-01](#) [1-100769-01](#) [1-101388-01](#) [1-101110-01](#) [SY-DS-1L](#) [AR250/I](#) [AR252/LCD/U](#) [RC-SPC1K](#) [AR252/LCD/I](#) [AR281](#) [T8700](#) [T8700-D](#) [T9602-3-A-1](#) [T9602-3-D](#) [T9602-3-D-1](#) [T9602-5-A](#) [T9602-5-A-1](#) [T9602-5-D](#) [T9602-5-D-1](#) [HDS10](#) [HR202L](#) [AR252/I](#) [AR252/RS485](#) [AR252/U](#) [CHR01-2025-S](#) [CHR01-2025-W](#) [CHR01-3035-W](#) [CHR02-2025-S](#) [CHR02-2025-T](#)