

### Features

- Low power consumption
- Low voltage drop
- Low temperature coefficient
- High input voltage (up to 30V)
- Quiescent current 2.5μA
- High output current : 100mA
- Output voltage accuracy: tolerance ±3%
- 3-pin TO92, 3-pin SOT89 and 5-pin SOT23 packages

### Applications

- Battery-powered equipment
- Communication equipment
- Audio/Video equipment

### General Description

The HT75xx-1 series is a set of three-terminal low power high voltage implemented in CMOS technology. They can deliver 100mA output current and allow an input voltage as high as 30V. They are available with several fixed output voltages ranging from 2.1V to 12.0V. CMOS technology ensures low voltage drop and low quiescent current.

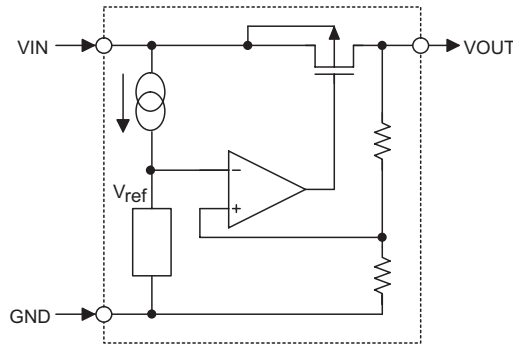
Although designed primarily as fixed voltage regulators, these devices can be used with external components to obtain variable voltages and currents.

### Selection Table

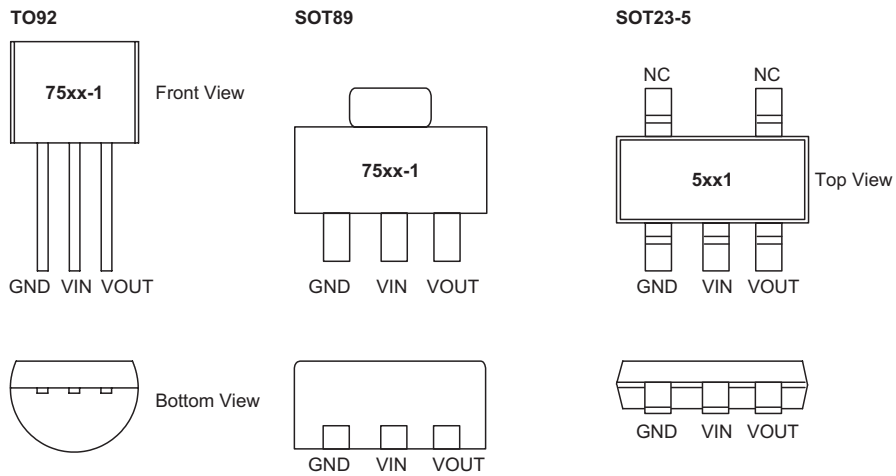
| Part No. | Output Voltage | Package                  | Marking   |
|----------|----------------|--------------------------|---|
| HT7521-1 | 2.1V           | TO92<br>SOT89<br>SOT23-5 | 75xx-1 (for TO92)<br>75xx-1 (for SOT89)<br>5xx1 (for SOT23-5) |
| HT7523-1 | 2.3V           |                          |   |
| HT7525-1 | 2.5V           |                          |   |
| HT7527-1 | 2.7V           |                          |   |
| HT7530-1 | 3.0V           |                          |   |
| HT7533-1 | 3.3V           |                          |   |
| HT7536-1 | 3.6V           |                          |   |
| HT7540-1 | 4.0V           |                          |   |
| HT7544-1 | 4.4V           |                          |   |
| HT7550-1 | 5.0V           |                          |   |
| HT7560-1 | 6.0V           |                          |   |
| HT7570-1 | 7.0V           |                          |   |
| HT7580-1 | 8.0V           |                          |   |
| HT7590-1 | 9.0V           |                          |   |
| HT75A0-1 | 10.0V          |                          |   |
| HT75C0-1 | 12.0V          |                          |   |

Note: "xx" stands for output voltages.

**Block Diagram**



**Pin Assignment**



**Absolute Maximum Ratings**

Supply Voltage ..... -0.3V to 33V      Operating Temperature ..... -40°C to 85°C  
 Storage Temperature ..... -50°C to 125°C

Note: These are stress ratings only. Stresses exceeding the range specified under "Absolute Maximum Ratings" may cause substantial damage to the device. Functional operation of this device at other conditions beyond those listed in the specification is not implied and prolonged exposure to extreme conditions may affect device reliability.

**Thermal Information**

| Symbol        | Parameter   | Package | Max. | Unit |
|---------------|---|---------|------|------|
| $\theta_{JA}$ | Thermal Resistance (Junction to Ambient)<br>(Assume no ambient airflow, no heat sink) | SOT23-5 | 500  | °C/W |
|               |   | SOT89   | 200  | °C/W |
|               |   | TO92    | 200  | °C/W |
| $P_D$         | Power Dissipation   | SOT23-5 | 0.20 | W    |
|               |   | SOT89   | 0.50 | W    |
|               |   | TO92    | 0.50 | W    |

Note:  $P_D$  is measured at  $T_a=25^\circ\text{C}$

## Pin Descriptions

| Pin No. | Pin Name | Pin Description |
|---------|----------|-----------------|
| 1       | GND      | Ground pin      |
| 2       | VIN      | Input pin       |
| 3       | VOUT     | Output pin      |

## Electrical Characteristics

### HT7521-1, +2.1V Output Type

Ta=25°C

| Symbol  | Parameter                         | Test Conditions                                    | Min.  | Typ.  | Max.  | Unit   |
|---|-----------------------------------|--|-------|-------|-------|--------|
|   |                                   | Conditions   |       |       |       |        |
| V <sub>IN</sub>                                       | Input Voltage                     | —  | —     | —     | 30    | V      |
| V <sub>OUT</sub>                                      | Output Voltage                    | V <sub>IN</sub> =4.1V, I <sub>OUT</sub> =10mA      | 2.037 | 2.100 | 2.163 | V      |
| I <sub>OUT</sub>                                      | Output Current                    | V <sub>IN</sub> =4.1V                              | 70    | 100   | —     | mA     |
| ΔV <sub>OUT</sub>                                     | Load Regulation                   | V <sub>IN</sub> =4.1V, 1mA≤I <sub>OUT</sub> ≤50mA  | —     | 25    | 60    | mV     |
| V <sub>DIF</sub>                                      | Dropout Voltage <sup>(Note)</sup> | I <sub>OUT</sub> =1mA, ΔV <sub>OUT</sub> =2%       | —     | 30    | 100   | mV     |
| I <sub>SS</sub>                                       | Quiescent Current                 | No load  | —     | 2.5   | 4.0   | μA     |
| $\frac{\Delta V_{OUT}}{\Delta V_{IN} \times V_{OUT}}$ | Line Regulation                   | 3.1V≤V <sub>IN</sub> ≤30V, I <sub>OUT</sub> =1mA   | —     | —     | 0.2   | %/V    |
| $\frac{\Delta V_{OUT}}{\Delta T_a \times V_{OUT}}$    | Temperature Coefficient           | I <sub>OUT</sub> =10mA, -40°C<T <sub>a</sub> <85°C | —     | 100   | —     | ppm/°C |

Note: Dropout voltage is defined as the input voltage minus the output voltage that produces a 2% change in the output voltage from the value at V<sub>IN</sub>= V<sub>OUT</sub>+2V with a fixed load.

### HT7523-1, +2.3V Output Type

Ta=25°C

| Symbol  | Parameter                         | Test Conditions                                    | Min.  | Typ.  | Max.  | Unit   |
|---|-----------------------------------|--|-------|-------|-------|--------|
|   |                                   | Conditions   |       |       |       |        |
| V <sub>IN</sub>                                       | Input Voltage                     | —  | —     | —     | 30    | V      |
| V <sub>OUT</sub>                                      | Output Voltage Tolerance          | V <sub>IN</sub> =4.3V, I <sub>OUT</sub> =10mA      | 2.231 | 2.300 | 2.369 | V      |
| I <sub>OUT</sub>                                      | Output Current                    | V <sub>IN</sub> =4.3V                              | 70    | 100   | —     | mA     |
| ΔV <sub>OUT</sub>                                     | Load Regulation                   | V <sub>IN</sub> =4.3V, 1mA≤I <sub>OUT</sub> ≤50mA  | —     | 25    | 60    | mV     |
| V <sub>DIF</sub>                                      | Dropout Voltage <sup>(Note)</sup> | I <sub>OUT</sub> =1mA, ΔV <sub>OUT</sub> =2%       | —     | 30    | 100   | mV     |
| I <sub>SS</sub>                                       | Quiescent Current                 | No load  | —     | 2.5   | 4.0   | μA     |
| $\frac{\Delta V_{OUT}}{\Delta V_{IN} \times V_{OUT}}$ | Line Regulation                   | 3.3V≤V <sub>IN</sub> ≤30V, I <sub>OUT</sub> =1mA   | —     | —     | 0.2   | %/V    |
| $\frac{\Delta V_{OUT}}{\Delta T_a \times V_{OUT}}$    | Temperature Coefficient           | I <sub>OUT</sub> =10mA, -40°C<T <sub>a</sub> <85°C | —     | 100   | —     | ppm/°C |

Note: Dropout voltage is defined as the input voltage minus the output voltage that produces a 2% change in the output voltage from the value at V<sub>IN</sub>= V<sub>OUT</sub>+2V with a fixed load.

**HT7525-1, +2.5V Output Type**

Ta=25°C

| Symbol  | Parameter                         | Test Conditions                                       | Min.  | Typ.  | Max.  | Unit   |
|---|-----------------------------------|---|-------|-------|-------|--------|
|   |                                   | Conditions  |       |       |       |        |
| V <sub>IN</sub>                                       | Input Voltage                     | —   | —     | —     | 30    | V      |
| V <sub>OUT</sub>                                      | Output Voltage                    | V <sub>IN</sub> =4.5V, I <sub>OUT</sub> =10mA         | 2.425 | 2.500 | 2.575 | V      |
| I <sub>OUT</sub>                                      | Output Current                    | V <sub>IN</sub> =4.5V                                 | 70    | 100   | —     | mA     |
| ΔV <sub>OUT</sub>                                     | Load Regulation                   | V <sub>IN</sub> =4.5V, 1mA ≤ I <sub>OUT</sub> ≤ 50mA  | —     | 25    | 60    | mV     |
| V <sub>DIF</sub>                                      | Dropout Voltage <sup>(Note)</sup> | I <sub>OUT</sub> =1mA, ΔV <sub>OUT</sub> =2%          | —     | 30    | 100   | mV     |
| I <sub>SS</sub>                                       | Quiescent Current                 | No load   | —     | 2.5   | 4.0   | μA     |
| $\frac{\Delta V_{OUT}}{\Delta V_{IN} \times V_{OUT}}$ | Line Regulation                   | 3.5V ≤ V <sub>IN</sub> ≤ 30V, I <sub>OUT</sub> =1mA   | —     | —     | 0.2   | %/V    |
| $\frac{\Delta V_{OUT}}{\Delta T_a \times V_{OUT}}$    | Temperature Coefficient           | I <sub>OUT</sub> =10mA, -40°C < T <sub>a</sub> < 85°C | —     | 100   | —     | ppm/°C |

Note: Dropout voltage is defined as the input voltage minus the output voltage that produces a 2% change in the output voltage from the value at V<sub>IN</sub> = V<sub>OUT</sub> + 2V with a fixed load.

**HT7527-1, +2.7V Output Type**

Ta=25°C

| Symbol  | Parameter                         | Test Conditions                                       | Min.  | Typ.  | Max.  | Unit   |
|---|-----------------------------------|---|-------|-------|-------|--------|
|   |                                   | Conditions  |       |       |       |        |
| V <sub>IN</sub>                                       | Input Voltage                     | —   | —     | —     | 30    | V      |
| V <sub>OUT</sub>                                      | Output Voltage                    | V <sub>IN</sub> =4.7V, I <sub>OUT</sub> =10mA         | 2.619 | 2.700 | 2.781 | V      |
| I <sub>OUT</sub>                                      | Output Current                    | V <sub>IN</sub> =4.7V                                 | 70    | 100   | —     | mA     |
| ΔV <sub>OUT</sub>                                     | Load Regulation                   | V <sub>IN</sub> =4.7V, 1mA ≤ I <sub>OUT</sub> ≤ 50mA  | —     | 25    | 60    | mV     |
| V <sub>DIF</sub>                                      | Dropout Voltage <sup>(Note)</sup> | I <sub>OUT</sub> =1mA, ΔV <sub>OUT</sub> =2%          | —     | 30    | 100   | mV     |
| I <sub>SS</sub>                                       | Quiescent Current                 | No load   | —     | 2.5   | 4.0   | μA     |
| $\frac{\Delta V_{OUT}}{\Delta V_{IN} \times V_{OUT}}$ | Line Regulation                   | 3.7V ≤ V <sub>IN</sub> ≤ 30V, I <sub>OUT</sub> =1mA   | —     | —     | 0.2   | %/V    |
| $\frac{\Delta V_{OUT}}{\Delta T_a \times V_{OUT}}$    | Temperature Coefficient           | I <sub>OUT</sub> =10mA, -40°C < T <sub>a</sub> < 85°C | —     | 100   | —     | ppm/°C |

Note: Dropout voltage is defined as the input voltage minus the output voltage that produces a 2% change in the output voltage from the value at V<sub>IN</sub> = V<sub>OUT</sub> + 2V with a fixed load.

**HT7530-1, +3.0V Output Type**

Ta=25°C

| Symbol  | Parameter                         | Test Conditions                                       | Min.  | Typ.  | Max.  | Unit   |
|---|-----------------------------------|---|-------|-------|-------|--------|
|   |                                   | Conditions  |       |       |       |        |
| V <sub>IN</sub>                                       | Input Voltage                     | —   | —     | —     | 30    | V      |
| V <sub>OUT</sub>                                      | Output Voltage                    | V <sub>IN</sub> =5.0V, I <sub>OUT</sub> =10mA         | 2.910 | 3.000 | 3.090 | V      |
| I <sub>OUT</sub>                                      | Output Current                    | V <sub>IN</sub> =5.0V                                 | 70    | 100   | —     | mA     |
| ΔV <sub>OUT</sub>                                     | Load Regulation                   | V <sub>IN</sub> =5.0V, 1mA ≤ I <sub>OUT</sub> ≤ 50mA  | —     | 25    | 60    | mV     |
| V <sub>DIF</sub>                                      | Dropout Voltage <sup>(Note)</sup> | I <sub>OUT</sub> =1mA, ΔV <sub>OUT</sub> =2%          | —     | 30    | 100   | mV     |
| I <sub>SS</sub>                                       | Quiescent Current                 | No load   | —     | 2.5   | 4.0   | μA     |
| $\frac{\Delta V_{OUT}}{\Delta V_{IN} \times V_{OUT}}$ | Line Regulation                   | 4.0V ≤ V <sub>IN</sub> ≤ 30V, I <sub>OUT</sub> =1mA   | —     | —     | 0.2   | %/V    |
| $\frac{\Delta V_{OUT}}{\Delta T_a \times V_{OUT}}$    | Temperature Coefficient           | I <sub>OUT</sub> =10mA, -40°C < T <sub>a</sub> < 85°C | —     | 100   | —     | ppm/°C |

Note: Dropout voltage is defined as the input voltage minus the output voltage that produces a 2% change in the output voltage from the value at V<sub>IN</sub> = V<sub>OUT</sub> + 2V with a fixed load.

**HT7533-1, +3.3V Output Type**

Ta=25°C

| Symbol  | Parameter                         | Test Conditions                                       | Min.  | Typ.  | Max.  | Unit   |
|---|-----------------------------------|---|-------|-------|-------|--------|
|   |                                   | Conditions  |       |       |       |        |
| V <sub>IN</sub>                                       | Input Voltage                     | —   | —     | —     | 30    | V      |
| V <sub>OUT</sub>                                      | Output Voltage                    | V <sub>IN</sub> =5.3V, I <sub>OUT</sub> =10mA         | 3.201 | 3.300 | 3.399 | V      |
| I <sub>OUT</sub>                                      | Output Current                    | V <sub>IN</sub> =5.3V                                 | 70    | 100   | —     | mA     |
| ΔV <sub>OUT</sub>                                     | Load Regulation                   | V <sub>IN</sub> =5.3V, 1mA ≤ I <sub>OUT</sub> ≤ 50mA  | —     | 25    | 60    | mV     |
| V <sub>DIF</sub>                                      | Dropout Voltage <sup>(Note)</sup> | I <sub>OUT</sub> =1mA, ΔV <sub>OUT</sub> =2%          | —     | 25    | 55    | mV     |
| I <sub>SS</sub>                                       | Quiescent Current                 | No load   | —     | 2.5   | 4.0   | μA     |
| $\frac{\Delta V_{OUT}}{\Delta V_{IN} \times V_{OUT}}$ | Line Regulation                   | 4.3V ≤ V <sub>IN</sub> ≤ 30V, I <sub>OUT</sub> =1mA   | —     | —     | 0.2   | %/V    |
| $\frac{\Delta V_{OUT}}{\Delta T_a \times V_{OUT}}$    | Temperature Coefficient           | I <sub>OUT</sub> =10mA, -40°C < T <sub>a</sub> < 85°C | —     | 100   | —     | ppm/°C |

Note: Dropout voltage is defined as the input voltage minus the output voltage that produces a 2% change in the output voltage from the value at V<sub>IN</sub> = V<sub>OUT</sub> + 2V with a fixed load.

**HT7536-1, +3.6V Output Type**

Ta=25°C

| Symbol  | Parameter                         | Test Conditions                                       | Min.  | Typ.  | Max.  | Unit   |
|---|-----------------------------------|---|-------|-------|-------|--------|
|   |                                   | Conditions  |       |       |       |        |
| V <sub>IN</sub>                                       | Input Voltage                     | —   | —     | —     | 30    | V      |
| V <sub>OUT</sub>                                      | Output Voltage                    | V <sub>IN</sub> =5.6V, I <sub>OUT</sub> =10mA         | 3.492 | 3.600 | 3.708 | V      |
| I <sub>OUT</sub>                                      | Output Current                    | V <sub>IN</sub> =5.6V                                 | 70    | 100   | —     | mA     |
| ΔV <sub>OUT</sub>                                     | Load Regulation                   | V <sub>IN</sub> =5.6V, 1mA ≤ I <sub>OUT</sub> ≤ 50mA  | —     | 25    | 60    | mV     |
| V <sub>DIF</sub>                                      | Dropout Voltage <sup>(Note)</sup> | I <sub>OUT</sub> =1mA, ΔV <sub>OUT</sub> =2%          | —     | 25    | 55    | mV     |
| I <sub>SS</sub>                                       | Quiescent Current                 | No load   | —     | 2.5   | 4.0   | μA     |
| $\frac{\Delta V_{OUT}}{\Delta V_{IN} \times V_{OUT}}$ | Line Regulation                   | 4.6V ≤ V <sub>IN</sub> ≤ 30V, I <sub>OUT</sub> =1mA   | —     | —     | 0.2   | %/V    |
| $\frac{\Delta V_{OUT}}{\Delta T_a \times V_{OUT}}$    | Temperature Coefficient           | I <sub>OUT</sub> =10mA, -40°C < T <sub>a</sub> < 85°C | —     | 100   | —     | ppm/°C |

Note: Dropout voltage is defined as the input voltage minus the output voltage that produces a 2% change in the output voltage from the value at V<sub>IN</sub> = V<sub>OUT</sub>+2V with a fixed load.

**HT7540-1, +4.0V Output Type**

Ta=25°C

| Symbol  | Parameter                         | Test Conditions                                       | Min.  | Typ.  | Max.  | Unit   |
|---|-----------------------------------|---|-------|-------|-------|--------|
|   |                                   | Conditions  |       |       |       |        |
| V <sub>IN</sub>                                       | Input Voltage                     | —   | —     | —     | 30    | V      |
| V <sub>OUT</sub>                                      | Output Voltage                    | V <sub>IN</sub> =6.0V, I <sub>OUT</sub> =10mA         | 3.880 | 4.000 | 4.120 | V      |
| I <sub>OUT</sub>                                      | Output Current                    | V <sub>IN</sub> =6.0V                                 | 70    | 100   | —     | mA     |
| ΔV <sub>OUT</sub>                                     | Load Regulation                   | V <sub>IN</sub> =6.0V, 1mA ≤ I <sub>OUT</sub> ≤ 50mA  | —     | 25    | 60    | mV     |
| V <sub>DIF</sub>                                      | Dropout Voltage <sup>(Note)</sup> | I <sub>OUT</sub> =1mA, ΔV <sub>OUT</sub> =2%          | —     | 25    | 55    | mV     |
| I <sub>SS</sub>                                       | Quiescent Current                 | No load   | —     | 2.5   | 4.0   | μA     |
| $\frac{\Delta V_{OUT}}{\Delta V_{IN} \times V_{OUT}}$ | Line Regulation                   | 5.0V ≤ V <sub>IN</sub> ≤ 30V, I <sub>OUT</sub> =1mA   | —     | —     | 0.2   | %/V    |
| $\frac{\Delta V_{OUT}}{\Delta T_a \times V_{OUT}}$    | Temperature Coefficient           | I <sub>OUT</sub> =10mA, -40°C < T <sub>a</sub> < 85°C | —     | 100   | —     | ppm/°C |

Note: Dropout voltage is defined as the input voltage minus the output voltage that produces a 2% change in the output voltage from the value at V<sub>IN</sub> = V<sub>OUT</sub>+2V with a fixed load.

**HT7544-1, +4.4V Output Type**

Ta=25°C

| Symbol  | Parameter                         | Test Conditions                                       | Min.  | Typ.  | Max.  | Unit   |
|---|-----------------------------------|---|-------|-------|-------|--------|
|   |                                   | Conditions  |       |       |       |        |
| V <sub>IN</sub>                                       | Input Voltage                     | —   | —     | —     | 30    | V      |
| V <sub>OUT</sub>                                      | Output Voltage                    | V <sub>IN</sub> =6.4V, I <sub>OUT</sub> =10mA         | 4.268 | 4.400 | 4.532 | V      |
| I <sub>OUT</sub>                                      | Output Current                    | V <sub>IN</sub> =6.4V                                 | 70    | 100   | —     | mA     |
| ΔV <sub>OUT</sub>                                     | Load Regulation                   | V <sub>IN</sub> =6.4V, 1mA ≤ I <sub>OUT</sub> ≤ 50mA  | —     | 25    | 60    | mV     |
| V <sub>DIF</sub>                                      | Dropout Voltage <sup>(Note)</sup> | I <sub>OUT</sub> =1mA, ΔV <sub>OUT</sub> =2%          | —     | 25    | 55    | mV     |
| I <sub>SS</sub>                                       | Quiescent Current                 | No load   | —     | 2.5   | 4.0   | μA     |
| $\frac{\Delta V_{OUT}}{\Delta V_{IN} \times V_{OUT}}$ | Line Regulation                   | 5.4V ≤ V <sub>IN</sub> ≤ 30V, I <sub>OUT</sub> =1mA   | —     | —     | 0.2   | %/V    |
| $\frac{\Delta V_{OUT}}{\Delta T_a \times V_{OUT}}$    | Temperature Coefficient           | I <sub>OUT</sub> =10mA, -40°C < T <sub>a</sub> < 85°C | —     | 100   | —     | ppm/°C |

Note: Dropout voltage is defined as the input voltage minus the output voltage that produces a 2% change in the output voltage from the value at V<sub>IN</sub> = V<sub>OUT</sub> + 2V with a fixed load.

**HT7550-1, +5.0V Output Type**

Ta=25°C

| Symbol  | Parameter                         | Test Conditions                                       | Min.  | Typ.  | Max.  | Unit   |
|---|-----------------------------------|---|-------|-------|-------|--------|
|   |                                   | Conditions  |       |       |       |        |
| V <sub>IN</sub>                                       | Input Voltage                     | —   | —     | —     | 30    | V      |
| V <sub>OUT</sub>                                      | Output Voltage                    | V <sub>IN</sub> =7.0V, I <sub>OUT</sub> =10mA         | 4.850 | 5.000 | 5.150 | V      |
| I <sub>OUT</sub>                                      | Output Current                    | V <sub>IN</sub> =7.0V                                 | 100   | 150   | —     | mA     |
| ΔV <sub>OUT</sub>                                     | Load Regulation                   | V <sub>IN</sub> =7.0V, 1mA ≤ I <sub>OUT</sub> ≤ 70mA  | —     | 25    | 60    | mV     |
| V <sub>DIF</sub>                                      | Dropout Voltage <sup>(Note)</sup> | I <sub>OUT</sub> =1mA, ΔV <sub>OUT</sub> =2%          | —     | 25    | 55    | mV     |
| I <sub>SS</sub>                                       | Quiescent Current                 | No load   | —     | 2.5   | 4.0   | μA     |
| $\frac{\Delta V_{OUT}}{\Delta V_{IN} \times V_{OUT}}$ | Line Regulation                   | 6.0V ≤ V <sub>IN</sub> ≤ 30V, I <sub>OUT</sub> =1mA   | —     | —     | 0.2   | %/V    |
| $\frac{\Delta V_{OUT}}{\Delta T_a \times V_{OUT}}$    | Temperature Coefficient           | I <sub>OUT</sub> =10mA, -40°C < T <sub>a</sub> < 85°C | —     | 100   | —     | ppm/°C |

Note: Dropout voltage is defined as the input voltage minus the output voltage that produces a 2% change in the output voltage from the value at V<sub>IN</sub> = V<sub>OUT</sub> + 2V with a fixed load.

**HT7560-1, +6.0V Output Type**

Ta=25°C

| Symbol  | Parameter                         | Test Conditions                                    | Min.  | Typ.  | Max.  | Unit   |
|---|-----------------------------------|--|-------|-------|-------|--------|
|   |                                   | Conditions   |       |       |       |        |
| V <sub>IN</sub>                                       | Input Voltage                     | —  | —     | —     | 30    | V      |
| V <sub>OUT</sub>                                      | Output Voltage                    | V <sub>IN</sub> =8.0V, I <sub>OUT</sub> =10mA      | 5.820 | 6.000 | 6.180 | V      |
| I <sub>OUT</sub>                                      | Output Current                    | V <sub>IN</sub> =8.0V                              | 150   | —     | —     | mA     |
| ΔV <sub>OUT</sub>                                     | Load Regulation                   | V <sub>IN</sub> =8.0V, 1mA≤I <sub>OUT</sub> ≤70mA  | —     | 25    | 60    | mV     |
| V <sub>DIF</sub>                                      | Dropout Voltage <sup>(Note)</sup> | I <sub>OUT</sub> =1mA, ΔV <sub>OUT</sub> =2%       | —     | 25    | 55    | mV     |
| I <sub>SS</sub>                                       | Quiescent Current                 | No load  | —     | 2.5   | 4.0   | μA     |
| $\frac{\Delta V_{OUT}}{\Delta V_{IN} \times V_{OUT}}$ | Line Regulation                   | 7.0V≤V <sub>IN</sub> ≤30V, I <sub>OUT</sub> =1mA   | —     | 0.2   | —     | %/V    |
| $\frac{\Delta V_{OUT}}{\Delta T_a \times V_{OUT}}$    | Temperature Coefficient           | I <sub>OUT</sub> =10mA, -40°C<T <sub>a</sub> <85°C | —     | 100   | —     | ppm/°C |

Note: Dropout voltage is defined as the input voltage minus the output voltage that produces a 2% change in the output voltage from the value at V<sub>IN</sub>= V<sub>OUT</sub>+2V with a fixed load.

**HT7570-1, +7.0V Output Type**

Ta=25°C

| Symbol  | Parameter                         | Test Conditions                                    | Min.  | Typ.  | Max.  | Unit   |
|---|-----------------------------------|--|-------|-------|-------|--------|
|   |                                   | Conditions   |       |       |       |        |
| V <sub>IN</sub>                                       | Input Voltage                     | —  | —     | —     | 30    | V      |
| V <sub>OUT</sub>                                      | Output Voltage                    | V <sub>IN</sub> =9.0V, I <sub>OUT</sub> =10mA      | 6.790 | 7.000 | 7.210 | V      |
| I <sub>OUT</sub>                                      | Output Current                    | V <sub>IN</sub> =9.0V                              | 150   | —     | —     | mA     |
| ΔV <sub>OUT</sub>                                     | Load Regulation                   | V <sub>IN</sub> =9.0V, 1mA≤I <sub>OUT</sub> ≤70mA  | —     | 25    | 60    | mV     |
| V <sub>DIF</sub>                                      | Dropout Voltage <sup>(Note)</sup> | I <sub>OUT</sub> =1mA, ΔV <sub>OUT</sub> =2%       | —     | 25    | 55    | mV     |
| I <sub>SS</sub>                                       | Quiescent Current                 | No load  | —     | 2.5   | 4.0   | μA     |
| $\frac{\Delta V_{OUT}}{\Delta V_{IN} \times V_{OUT}}$ | Line Regulation                   | 8.0V≤V <sub>IN</sub> ≤30V, I <sub>OUT</sub> =1mA   | —     | 0.2   | —     | %/V    |
| $\frac{\Delta V_{OUT}}{\Delta T_a \times V_{OUT}}$    | Temperature Coefficient           | I <sub>OUT</sub> =10mA, -40°C<T <sub>a</sub> <85°C | —     | 100   | —     | ppm/°C |

Note: Dropout voltage is defined as the input voltage minus the output voltage that produces a 2% change in the output voltage from the value at V<sub>IN</sub>= V<sub>OUT</sub>+2V with a fixed load.



**HT7580-1, +8.0V Output Type**

Ta=25°C

| Symbol  | Parameter                         | Test Conditions                                       | Min.  | Typ.  | Max.  | Unit   |
|---|-----------------------------------|---|-------|-------|-------|--------|
|   |                                   | Conditions  |       |       |       |        |
| V <sub>IN</sub>                                       | Input Voltage                     | —   | —     | —     | 30    | V      |
| V <sub>OUT</sub>                                      | Output Voltage                    | V <sub>IN</sub> =10.0V, I <sub>OUT</sub> =10mA        | 7.760 | 8.000 | 8.240 | V      |
| I <sub>OUT</sub>                                      | Output Current                    | V <sub>IN</sub> =10.0V                                | 150   | —     | —     | mA     |
| ΔV <sub>OUT</sub>                                     | Load Regulation                   | V <sub>IN</sub> =10.0V, 1mA ≤ I <sub>OUT</sub> ≤ 70mA | —     | 25    | 60    | mV     |
| V <sub>DIF</sub>                                      | Dropout Voltage <sup>(Note)</sup> | I <sub>OUT</sub> =1mA, ΔV <sub>OUT</sub> =2%          | —     | 25    | 55    | mV     |
| I <sub>SS</sub>                                       | Quiescent Current                 | No load   | —     | 2.5   | 4.0   | μA     |
| $\frac{\Delta V_{OUT}}{\Delta V_{IN} \times V_{OUT}}$ | Line Regulation                   | 9.0V ≤ V <sub>IN</sub> ≤ 30V, I <sub>OUT</sub> =1mA   | —     | 0.2   | —     | %/V    |
| $\frac{\Delta V_{OUT}}{\Delta T_a \times V_{OUT}}$    | Temperature Coefficient           | I <sub>OUT</sub> =10mA, -40°C < T <sub>a</sub> < 85°C | —     | 100   | —     | ppm/°C |

Note: Dropout voltage is defined as the input voltage minus the output voltage that produces a 2% change in the output voltage from the value at V<sub>IN</sub> = V<sub>OUT</sub> + 2V with a fixed load.

**HT7590-1, +9.0V Output Type**

Ta=25°C

| Symbol  | Parameter                         | Test Conditions                                       | Min.  | Typ.  | Max.  | Unit   |
|---|-----------------------------------|---|-------|-------|-------|--------|
|   |                                   | Conditions  |       |       |       |        |
| V <sub>IN</sub>                                       | Input Voltage                     | —   | —     | —     | 30    | V      |
| V <sub>OUT</sub>                                      | Output Voltage                    | V <sub>IN</sub> =11.0V, I <sub>OUT</sub> =10mA        | 8.730 | 9.000 | 9.270 | V      |
| I <sub>OUT</sub>                                      | Output Current                    | V <sub>IN</sub> =11.0V                                | 150   | —     | —     | mA     |
| ΔV <sub>OUT</sub>                                     | Load Regulation                   | V <sub>IN</sub> =11.0V, 1mA ≤ I <sub>OUT</sub> ≤ 70mA | —     | 25    | 70    | mV     |
| V <sub>DIF</sub>                                      | Dropout Voltage <sup>(Note)</sup> | I <sub>OUT</sub> =1mA, ΔV <sub>OUT</sub> =2%          | —     | 25    | 55    | mV     |
| I <sub>SS</sub>                                       | Quiescent Current                 | No load   | —     | 2.5   | 4.0   | μA     |
| $\frac{\Delta V_{OUT}}{\Delta V_{IN} \times V_{OUT}}$ | Line Regulation                   | 10.0V ≤ V <sub>IN</sub> ≤ 30V, I <sub>OUT</sub> =1mA  | —     | 0.2   | —     | %/V    |
| $\frac{\Delta V_{OUT}}{\Delta T_a \times V_{OUT}}$    | Temperature Coefficient           | I <sub>OUT</sub> =10mA, -40°C < T <sub>a</sub> < 85°C | —     | 100   | —     | ppm/°C |

Note: Dropout voltage is defined as the input voltage minus the output voltage that produces a 2% change in the output voltage from the value at V<sub>IN</sub> = V<sub>OUT</sub> + 2V with a fixed load.

**HT75A0-1, +10.0V Output Type**

Ta=25°C

| Symbol  | Parameter                         | Test Conditions                                       | Min.  | Typ.   | Max.   | Unit   |
|---|-----------------------------------|---|-------|--------|--------|--------|
|   |                                   | Conditions  |       |        |        |        |
| V <sub>IN</sub>                                       | Input Voltage                     | —   | —     | —      | 30     | V      |
| V <sub>OUT</sub>                                      | Output Voltage                    | V <sub>IN</sub> =12.0V, I <sub>OUT</sub> =10mA        | 9.700 | 10.000 | 10.300 | V      |
| I <sub>OUT</sub>                                      | Output Current                    | V <sub>IN</sub> =12.0V                                | 150   | —      | —      | mA     |
| ΔV <sub>OUT</sub>                                     | Load Regulation                   | V <sub>IN</sub> =12.0V, 1mA ≤ I <sub>OUT</sub> ≤ 70mA | —     | 25     | 70     | mV     |
| V <sub>DIF</sub>                                      | Dropout Voltage <sup>(Note)</sup> | I <sub>OUT</sub> =1mA, ΔV <sub>OUT</sub> =2%          | —     | 25     | 55     | mV     |
| I <sub>SS</sub>                                       | Quiescent Current                 | No load   | —     | 2.5    | 4.0    | μA     |
| $\frac{\Delta V_{OUT}}{\Delta V_{IN} \times V_{OUT}}$ | Line Regulation                   | 11.0V ≤ V <sub>IN</sub> ≤ 30V, I <sub>OUT</sub> =1mA  | —     | 0.2    | —      | %/V    |
| $\frac{\Delta V_{OUT}}{\Delta T_a \times V_{OUT}}$    | Temperature Coefficient           | I <sub>OUT</sub> =10mA, -40°C < T <sub>a</sub> < 85°C | —     | 100    | —      | ppm/°C |

Note: Dropout voltage is defined as the input voltage minus the output voltage that produces a 2% change in the output voltage from the value at V<sub>IN</sub> = V<sub>OUT</sub> + 2V with a fixed load.

**HT75C0-1, +12.0V Output Type**

Ta=25°C

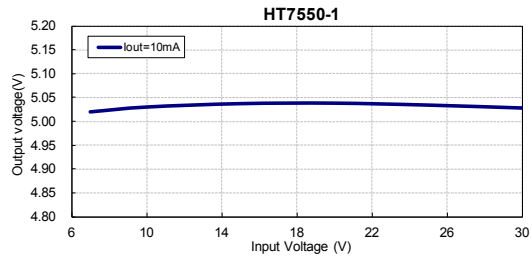
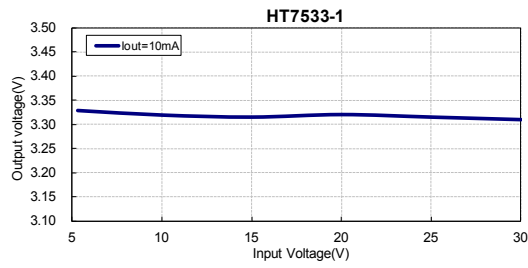
| Symbol  | Parameter                         | Test Conditions                                       | Min.   | Typ.   | Max.   | Unit   |
|---|-----------------------------------|---|--------|--------|--------|--------|
|   |                                   | Conditions  |        |        |        |        |
| V <sub>IN</sub>                                       | Input Voltage                     | —   | —      | —      | 30     | V      |
| V <sub>OUT</sub>                                      | Output Voltage                    | V <sub>IN</sub> =14.0V, I <sub>OUT</sub> =10mA        | 11.640 | 12.000 | 12.360 | V      |
| I <sub>OUT</sub>                                      | Output Current                    | V <sub>IN</sub> =14.0V                                | 150    | —      | —      | mA     |
| ΔV <sub>OUT</sub>                                     | Load Regulation                   | V <sub>IN</sub> =14.0V, 1mA ≤ I <sub>OUT</sub> ≤ 70mA | —      | 25     | 70     | mV     |
| V <sub>DIF</sub>                                      | Dropout Voltage <sup>(Note)</sup> | I <sub>OUT</sub> =1mA, ΔV <sub>OUT</sub> =2%          | —      | 25     | 55     | mV     |
| I <sub>SS</sub>                                       | Quiescent Current                 | No load   | —      | 2.5    | 4.0    | μA     |
| $\frac{\Delta V_{OUT}}{\Delta V_{IN} \times V_{OUT}}$ | Line Regulation                   | 13.0V ≤ V <sub>IN</sub> ≤ 30V, I <sub>OUT</sub> =1mA  | —      | 0.2    | —      | %/V    |
| $\frac{\Delta V_{OUT}}{\Delta T_a \times V_{OUT}}$    | Temperature Coefficient           | I <sub>OUT</sub> =10mA, -40°C < T <sub>a</sub> < 85°C | —      | 100    | —      | ppm/°C |

Note: Dropout voltage is defined as the input voltage minus the output voltage that produces a 2% change in the output voltage from the value at V<sub>IN</sub> = V<sub>OUT</sub> + 2V with a fixed load.

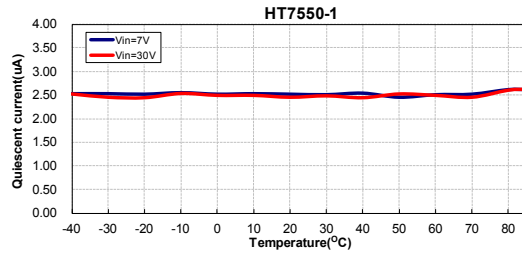
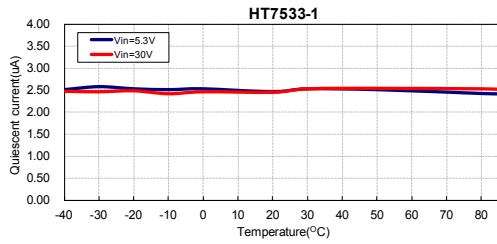
## Typical Performance Characteristics

Test Condition:  $V_{in}=V_{out}+2V$ ,  $I_{out}=10mA$ ,  $T_j=25^{\circ}C$ , unless otherwise noted

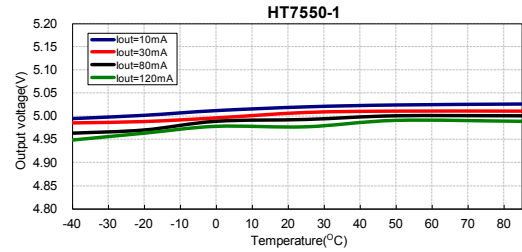
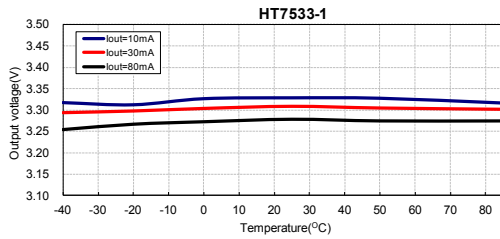
### Output Voltage vs Input Voltage



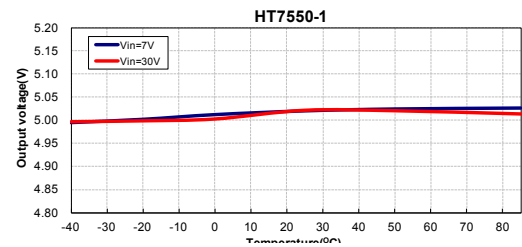
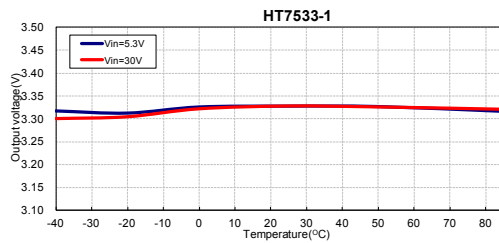
### Quiescent current (Iout=0mA) vs Temperature



### Output Voltage vs Temperature

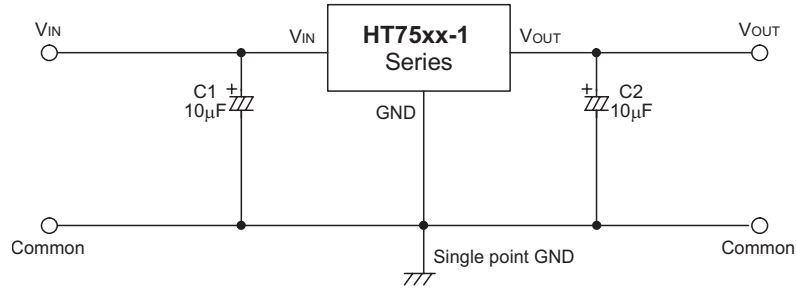


### Output Voltage vs Temperature

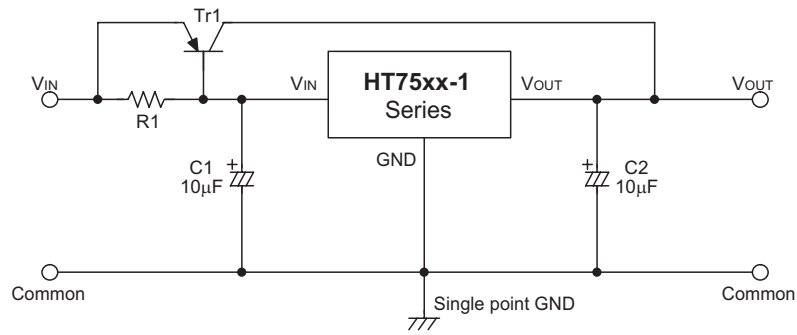


## Application Circuits

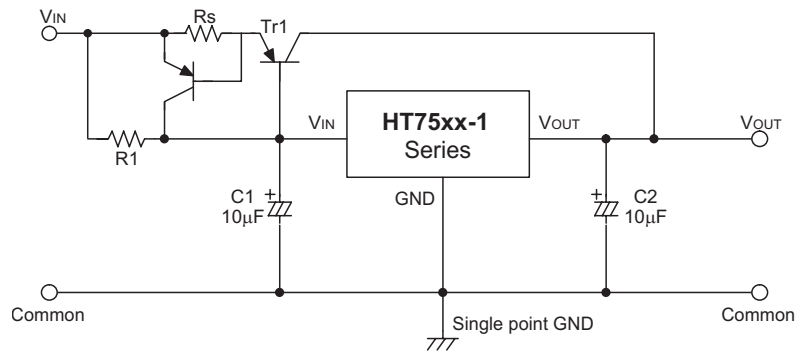
### Basic Circuit



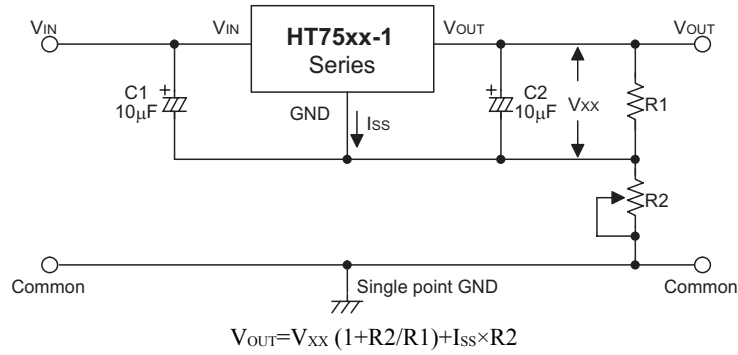
### High Output Current Positive Voltage Regulator



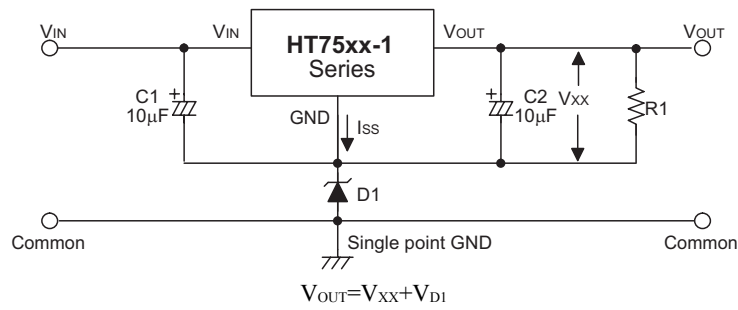
### Short-Circuit Protection for $Tr1$



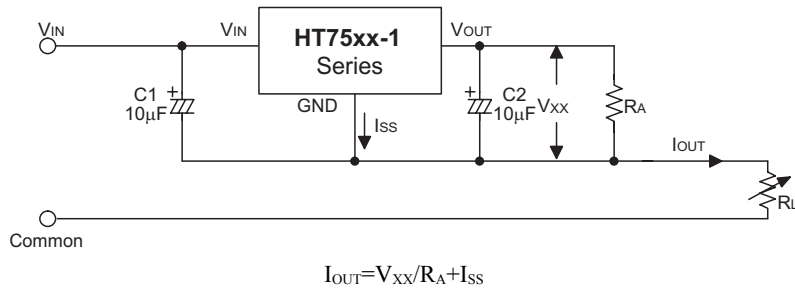
**Circuit for Increasing Output Voltage**



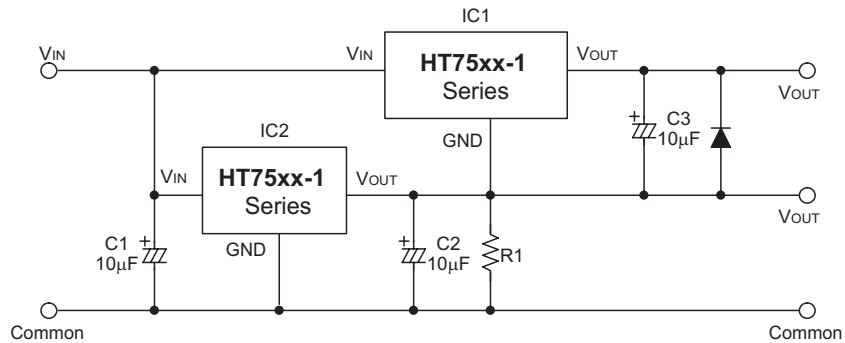
**Circuit for Increasing Output Voltage**



**Constant Current Regulator**



**Dual Supply**



## Package Information

Note that the package information provided here is for consultation purposes only. As this information may be updated at regular intervals users are reminded to consult the [Holtek website](#) for the latest version of the [Package/ Carton Information](#).

Additional supplementary information with regard to packaging is listed below. Click on the relevant section to be transferred to the relevant website page.

- [Further Package Information \(include Outline Dimensions, Product Tape and Reel Specifications\)](#)
- [Packing Materials Information](#)
- [Carton information](#)

**3-pin TO92 Outline Dimensions**



| Symbol | Dimensions in inch |           |       |
|--------|--------------------|-----------|-------|
|        | Min.               | Nom.      | Max.  |
| A      | 0.173              | 0.180     | 0.205 |
| B      | 0.170              | —         | 0.210 |
| C      | 0.500              | 0.580     | —     |
| D      | —                  | 0.015 BSC | —     |
| E      | —                  | 0.010 BSC | —     |
| F      | —                  | 0.050 BSC | —     |
| G      | —                  | 0.035 BSC | —     |
| H      | 0.125              | 0.142     | 0.165 |

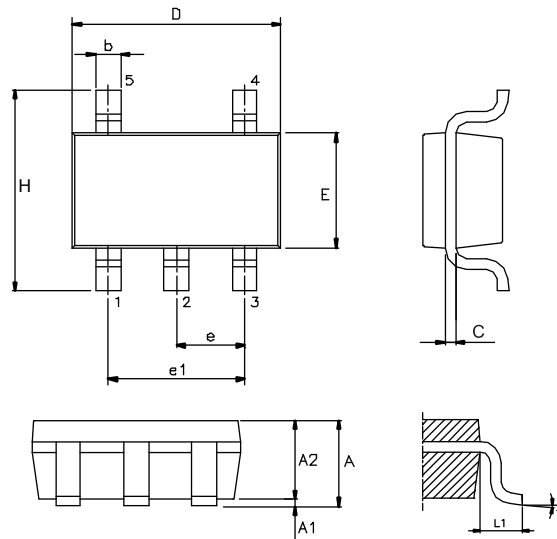
| Symbol | Dimensions in mm |          |      |
|--------|------------------|----------|------|
|        | Min.             | Nom.     | Max. |
| A      | 4.39             | 4.57     | 5.21 |
| B      | 4.32             | —        | 5.33 |
| C      | 12.70            | 14.73    | —    |
| D      | —                | 0.38 BSC | —    |
| E      | —                | 2.54 BSC | —    |
| F      | —                | 1.27 BSC | —    |
| G      | —                | 0.89 BSC | —    |
| H      | 3.18             | 3.61     | 4.19 |

**3-pin SOT89 Outline Dimensions**


| Symbol | Dimensions in inch |           |       |
|--------|--------------------|-----------|-------|
|        | Min.               | Nom.      | Max.  |
| A      | 0.173              | —         | 0.185 |
| B      | 0.053              | —         | 0.072 |
| C      | 0.090              | —         | 0.106 |
| D      | 0.031              | —         | 0.047 |
| E      | 0.155              | —         | 0.173 |
| F      | 0.014              | —         | 0.019 |
| G      | 0.017              | —         | 0.022 |
| H      | —                  | 0.059 BSC | —     |
| I      | 0.055              | —         | 0.063 |
| J      | 0.014              | —         | 0.017 |

| Symbol | Dimensions in mm |          |      |
|--------|------------------|----------|------|
|        | Min.             | Nom.     | Max. |
| A      | 4.40             | —        | 4.70 |
| B      | 1.35             | —        | 1.83 |
| C      | 2.29             | —        | 2.70 |
| D      | 0.89             | —        | 1.20 |
| E      | 3.94             | —        | 4.40 |
| F      | 0.36             | —        | 0.48 |
| G      | 0.44             | —        | 0.56 |
| H      | —                | 1.50 BSC | —    |
| I      | 1.40             | —        | 1.60 |
| J      | 0.35             | —        | 0.44 |



**5-pin SOT23 Outline Dimensions**


| Symbol | Dimensions in inch |           |       |
|--------|--------------------|-----------|-------|
|        | Min.               | Nom.      | Max.  |
| A      | —                  | —         | 0.057 |
| A1     | —                  | —         | 0.006 |
| A2     | 0.035              | 0.045     | 0.051 |
| b      | 0.012              | —         | 0.020 |
| C      | 0.003              | —         | 0.009 |
| D      | —                  | 0.114 BSC | —     |
| E      | —                  | 0.063 BSC | —     |
| e      | —                  | 0.037 BSC | —     |
| e1     | —                  | 0.075 BSC | —     |
| H      | —                  | 0.110 BSC | —     |
| L1     | —                  | 0.024 BSC | —     |
| θ      | 0°                 | —         | 8°    |

| Symbol | Dimensions in mm |          |      |
|--------|------------------|----------|------|
|        | Min.             | Nom.     | Max. |
| A      | —                | —        | 1.45 |
| A1     | —                | —        | 0.15 |
| A2     | 0.90             | 1.15     | 1.30 |
| b      | 0.30             | —        | 0.50 |
| C      | 0.08             | —        | 0.22 |
| D      | —                | 2.90 BSC | —    |
| E      | —                | 1.60 BSC | —    |
| e      | —                | 0.95 BSC | —    |
| e1     | —                | 1.90 BSC | —    |
| H      | —                | 2.80 BSC | —    |
| L1     | —                | 0.60 BSC | —    |
| θ      | 0°               | —        | 8°   |

Copyright© 2018 by HOLTEK SEMICONDUCTOR INC.

The information appearing in this Data Sheet is believed to be accurate at the time of publication. However, Holtek assumes no responsibility arising from the use of the specifications described. The applications mentioned herein are used solely for the purpose of illustration and Holtek makes no warranty or representation that such applications will be suitable without further modification, nor recommends the use of its products for application that may present a risk to human life due to malfunction or otherwise. Holtek's products are not authorized for use as critical components in life support devices or systems. Holtek reserves the right to alter its products without prior notification. For the most up-to-date information, please visit our web site at <http://www.holtek.com.tw>.

## X-ON Electronics

Largest Supplier of Electrical and Electronic Components

*Click to view similar products for [LDO Voltage Regulators](#) category:*

*Click to view products by [Holtek](#) manufacturer:*

Other Similar products are found below :

[AP7363-SP-13](#) [L79M05TL-E](#) [AP7362-HA-7](#) [PT7M8202B12TA5EX](#) [TCR3DF185,LM\(CT](#) [TCR3DF45,LM\(CT](#) [TLE4473G V52](#) [059985X](#)  
[NCP4687DH15T1G](#) [701326R](#) [NCV8170AXV250T2G](#) [AP7315-25W5-7](#) [AP2111H-1.2TRG1](#) [ZLDO1117QK50TC](#) [AZ1117ID-ADJTRG1](#)  
[TCR3DG12,LF](#) [MIC5514-3.3YMT-T5](#) [SCD7912BTG](#) [NCP154MX180270TAG](#) [SCD33269T-5.0G](#) [NCV8170BXV330T2G](#)  
[NCV8170BMX330TCG](#) [NCV8170AMX120TCG](#) [NCP706ABMX300TAG](#) [NCP153MX330180TCG](#) [NCP114BMX075TCG](#) [MC33269T-3.5G](#)  
[CAT6243-ADJCMT5T](#) [TCR3DG33,LF](#) [TCR4DG35,LF](#) [TAR5S15U\(TE85L,F\)](#) [TAR5S18U\(TE85L,F\)](#) [TCR3UG19A,LF](#) [TCR4DG105,LF](#)  
[MPQ2013AGG-5-P](#) [NCV8170AMX360TCG](#) [TLE4268GSXUMA2](#) [NCP715SQ15T2G](#) [MIC5317-3.0YD5-T5](#) [NCV563SQ18T1G](#)  
[NCP715MX30TBG](#) [NCV8702MX25TCG](#) [NCV8170BXV120T2G](#) [MIC5317-1.2YD5-T5](#) [NCV8170AMX150TCG](#) [NCV8170BMX150TCG](#)  
[AP2213D-3.3TRG1](#) [NCV8170BMX120TCG](#) [NCV8170BMX310TCG](#) [NCV8170BMX360TCG](#)