

### Features

- Low start-up voltage: 0.7V (Typ.)
- High efficiency:  $2.7V \leq V_{OUT} \leq 5.0V$  upper 90% (Typ.)
- High output voltage accuracy:  $\pm 2.5\%$
- Output voltage: 2.7V, 3.0V, 3.3V, 3.7V, 5.0V
- Output current up to 200mA
- Ultra low supply current  $I_{DD}$ : 5 $\mu$ A (Typ.)
- Low ripple and low noise
- Low shutdown current: 0.1 $\mu$ A (Typ.)
- 3-pin TO92, 3-pin SOT89, 3-pin SOT23 and 5-pin SOT23 package

### Applications

- Palmtops/PDAs
- Portable communicators/Smartphones
- Cameras/Camcorders
- Battery-powered equipment

### General Description

The HT77xxSA devices are a high efficiency PFM synchronous step-up DC-DC converter series which are designed to operate with both wire wound chip power inductors and also with multi-layered chip power inductors. The device series have the advantages of extremely low start-up voltage as well as high output voltage accuracy. Being manufactured using CMOS technology ensures ultra low supply current. Because of their higher operating frequency, up to 500 kHz, the devices have the benefits of requiring smaller outline type lower value external inductors and capacitors. The higher operating frequency also offers the advantages of much reduced audio frequency noise. The devices require only three external components to provide a fixed output voltage of 2.7V, 3.0V, 3.3V, 3.7V or 5.0V.

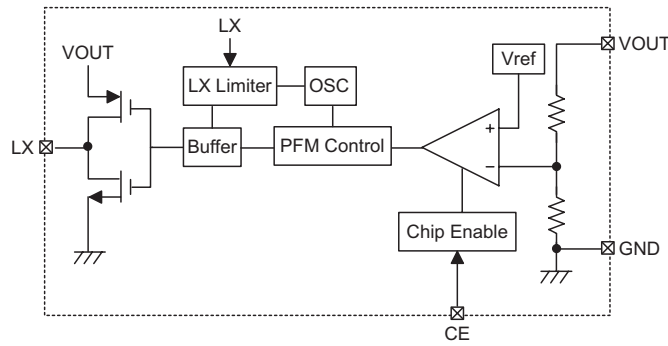
The HT77xxSA devices include an internal oscillator, PFM control circuit, driver transistor, reference voltage unit and a high speed comparator. They employ pulse frequency modulation techniques, to obtain minimum supply current and ripple at light output loading. These devices are available in space saving 3-pin TO92, 3-pin SOT89, 3-pin SOT23 and 5-pin SOT23 packages. For 5-pin SOT23 package types, they also include an internal chip enable function to reduce power consumption when in the shutdown mode.

### Selection Table

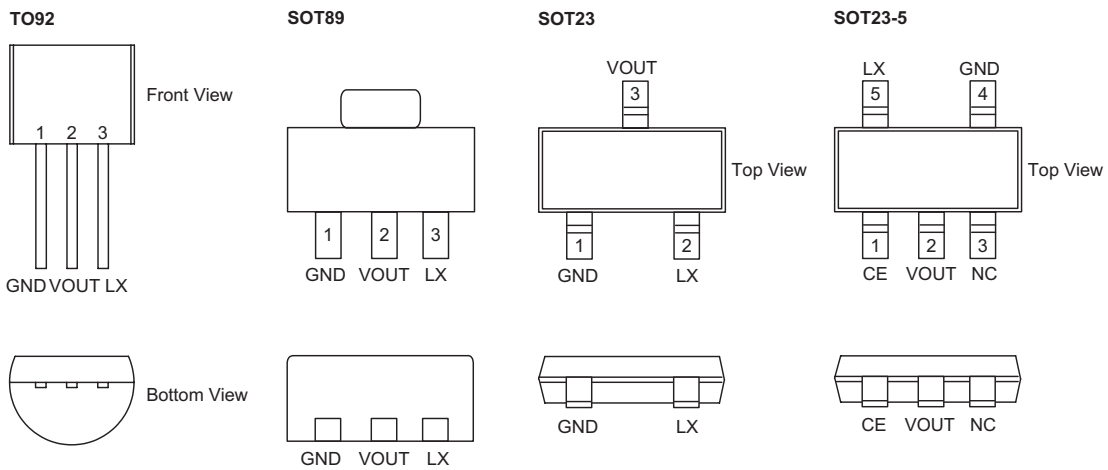
Part No.	Output Voltage	Package	Marking
HT7727SA	2.7V	TO92 SOT89 SOT23 SOT23-5	HT77xxSA (for TO92) 77xxSA (for SOT89) xxSA (for SOT23) xxSA (for SOT23-5)
HT7730SA	3.0V		
HT7733SA	3.3V		
HT7737SA	3.7V		
HT7750SA	5.0V		

Note: "xx" stands for output voltages.

### Block Diagram



### Pin Assignment



### Pin Description

Pin No.				Pin Name	Description
TO92	SOT89	SOT23	SOT23-5		
—	—	—	1	CE	Chip enable pin, high active
2	2	3	2	VOUT	DC/DC converter output monitoring pin
—	—	—	3	NC	No connection
1	1	1	4	GND	Ground pin
3	3	2	5	LX	Switching pin

## Absolute Maximum Ratings

Maximum Input Supply Voltage ..... 6.5V      Storage Temperature ..... -50°C to 125°C  
 Ambient Temperature Range ..... -40°C to 85°C

Note: These are stress ratings only. Stresses exceeding the range specified under "Absolute Maximum Ratings" may cause substantial damage to the device. Functional operation of this device at other conditions beyond those listed in the specification is not implied and prolonged exposure to extreme conditions may affect device reliability.

## Thermal Information

Symbol	Parameter	Package	Max.	Unit
$\theta_{JA}$	Thermal Resistance (Junction to Ambient) (Assume no ambient airflow, no heat sink)	SOT89	300	°C/W
		TO92	300	°C/W
		SOT23	330	°C/W
		SOT23-5	320	°C/W
$P_D$	Power Dissipation	SOT89	0.33	W
		TO92	0.33	W
		SOT23	0.30	W
		SOT23-5	0.31	W

Note:  $P_D$  is measured at  $T_a=25^\circ\text{C}$

## Electrical Characteristics

$T_a = 25^\circ\text{C}$ ;  $V_{IN} = V_{OUT} \times 0.6$ ;  $I_{OUT} = 10\text{mA}$ ; unless otherwise specified

Symbol	Parameter	Test Conditions	Min.	Typ.	Max.	Unit
$V_{IN}$	Input Voltage	—	—	—	6.0	V
$\Delta V_{OUT}$	Output Voltage Tolerance		-2.5	—	+2.5	%
$V_{START}$	Starting Voltage(Fig.1)	$V_{IN} : 0 \text{ to } 2\text{V}, I_{OUT}=1\text{mA}$	—	0.7	0.9	V
$V_{HOLD}$	Voltage Hold(Fig.1)	$V_{IN} : 2 \text{ to } 0\text{V}, I_{OUT}=1\text{mA}$	—	—	0.7	V
$I_{DD1}$	Supply Current (Fig.2)	Measured at VOUT pin when $V_{OUT}=0.5\text{V}$	—	5.0	—	$\mu\text{A}$
$I_{DD2}$	Un-load Supply Current (Fig.1)	$V_{IN}=V_{OUT} \times 0.6, I_{OUT}=0\text{mA}$ Measurement at $V_{IN}$	—	13	26	$\mu\text{A}$
$I_{SHDN}$	Shutdown Current	CE=GND	—	0.1	—	$\mu\text{A}$
$I_{Limit}$	Current Limit (Fig.1)	$V_{OUT} \leq 5.0\text{V}$	650	800	—	mA
		$2.7\text{V} \leq V_{OUT} \leq 3.3\text{V}$	500	650	—	mA
$V_{IH}$	CE High Threshold	—	2.0	—	—	V
$V_{IL}$	CE Low Threshold		—	—	0.4	V
$I_{LEAK}$	LX Leakage Current (Fig.3)	Add 5.5V at VOUT pin, 4V at LX pin. Measured at LX pin.	—	0.05	—	$\mu\text{A}$
$f_{OSC}$	Oscillator Frequency (Fig.3)	Measured at LX pin when $V_{OUT} \times 0.95$	—	500	—	kHz
$D_{OSC}$	Oscillator Duty Cycle (Fig.3)		—	80	—	%
$\eta$	Efficiency	$2.7\text{V} \leq V_{OUT} \leq 5.0\text{V}, I_{OUT}=10\text{mA}$	—	90	—	%

Note: Absolute maximum ratings indicate limits beyond which damage to the device may occur. Operating Ratings indicate conditions for which the device is intended to be functional, but do not guarantee specific performance limits. The guaranteed specifications apply only for the test conditions listed.

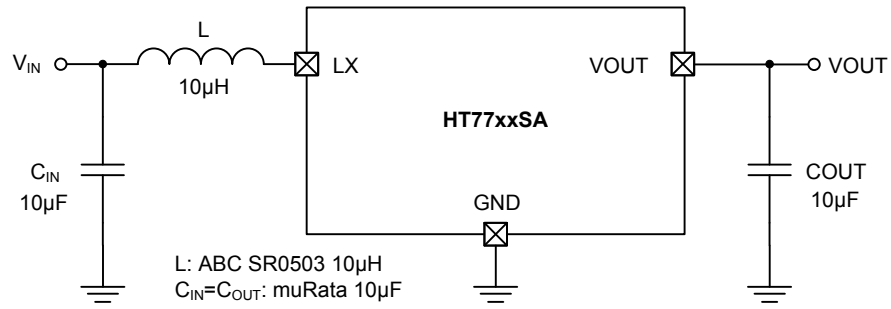


Fig.1

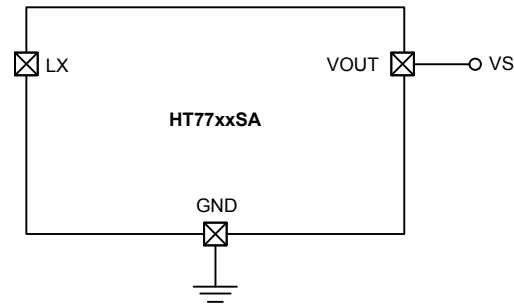


Fig.2

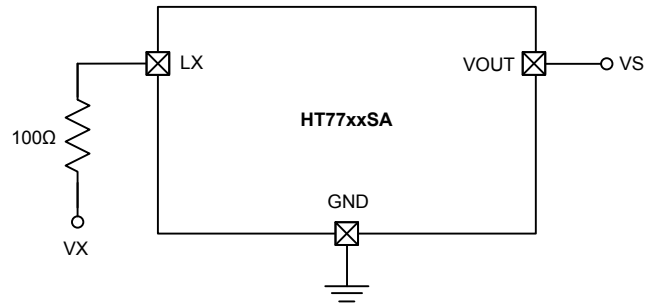
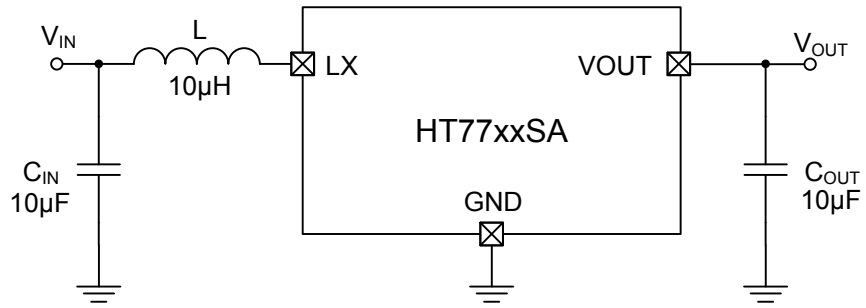


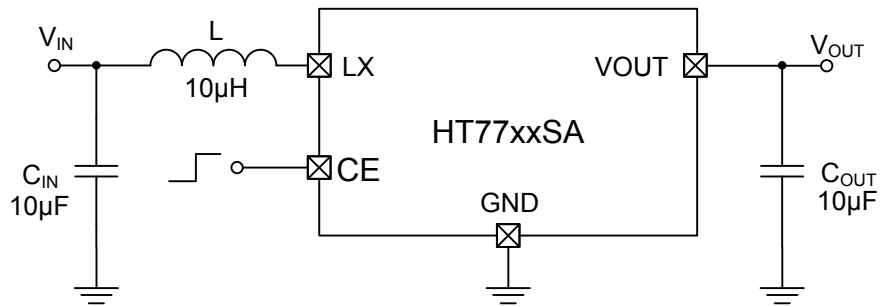
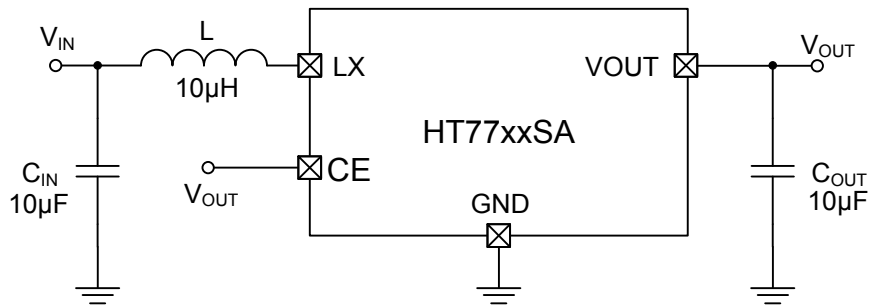
Fig.3

### Application Circuits

#### Without CE Pin



#### With CE Pin



## Functional Description

The HT77xxSA is a constant on time synchronous step-up converter, which uses a pulse frequency modulation (PFM) controller scheme. The PFM control scheme is inherently stable. The required input/output capacitor and inductor selections will not create situations of instability.

The device includes a fully integrated synchronous rectifier which reduces costs (includes reduce L and C sizes, eliminates Schottky diode cost etc.) and board area.

### Low Voltage Start-up

The devices have a very low start up voltage down to 0.7V. When power is first applied, the synchronous switch will be initially off but energy will be transferred to the load through its intrinsic body diode.

### Shutdown

During normal device operation, the CE pin should be either high or connected to the VOUT pin or the VIN power source. When the device is in the shutdown mode, that is when the CE pin is pulled low, the internal circuitry will be switched off. During shutdown, the PMOS power transistor will be switched off.

### Synchronous Rectification

A dead time exists between the N channel and P channel MOSFET switching operations. In synchronous rectification, the P channel is replaced by a Schottky diode. Here the P channel switch must be completely off before the N channel switch is switched on. After each cycle, a 30ns delay time is inserted to ensure the N channel switch is completely off before the P channel switch is switched on to maintain a high efficiency over a wide input voltage and output power range.

## Application Information

### Inductor Selection

Selecting a suitable inductor is an important consideration as it is usually a compromise situation between the output current requirements, the inductor saturation limit and the acceptable output voltage ripple. Lower values of inductor values can provide higher output currents but will suffer from higher ripple voltages and reduced efficiencies. Higher inductor values can provide reduced output ripple voltages and better efficiencies, but will be limited in their output current capabilities. For all inductors it must be noted however that lower core losses and lower DC resistance values will always provide higher efficiencies.

The peak inductor current can be calculated using the following equation:

$$I_{L(PEAK)} = \frac{V_{OUT} \times I_O}{V_{IN} \times \eta} + \frac{V_{IN} \times (V_{OUT} - V_{IN})}{2 \times V_{OUT} \times L \times f_{osc}}$$

Where

- V<sub>IN</sub> = Input Voltage
- V<sub>OUT</sub> = Output Voltage
- I<sub>O</sub> = Output Current
- η = Efficiency
- L = Inductor

### Capacitor Selection

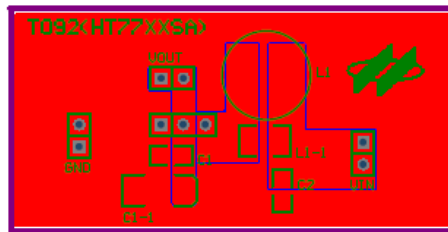
As the output capacitor selected affects both efficiency and output ripple voltage, it must be chosen with care to achieve best results from the converter. Output voltage ripple is the product of the peak inductor current and the output capacitor equivalent series resistance or ESR for short. It is important that low ESR value capacitors are used to achieve optimum performance. One method to achieve low ESR values is to connect two or more filter capacitors in parallel. The capacitor values and rated voltages are only suggested values.

## Layout Considerations

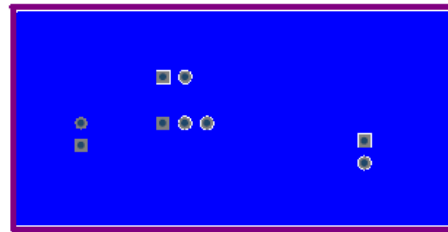
Circuit board layout is a very important consideration for switching regulators if they are to function properly.

Poor circuit layout may result in related noise problems. In order to minimise EMI and switching noise, note the following guidelines:

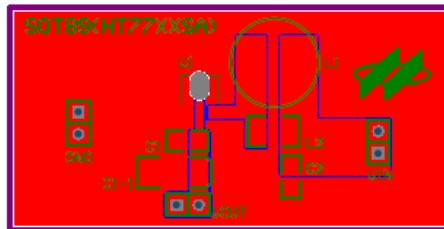
- All tracks should be as wide as possible.
- The input and output capacitors should be placed as close as possible to the VIN, VOUT and GND pins.
- A full ground plane is always helpful for better EMI performance.



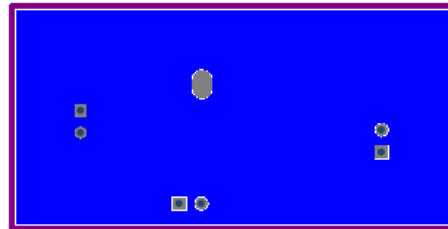
Top Layer



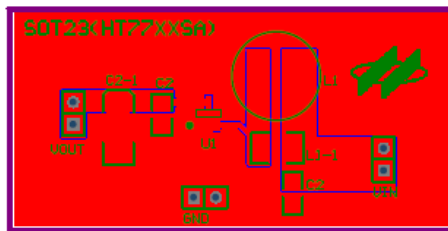
Bottom Layer



Top Layer



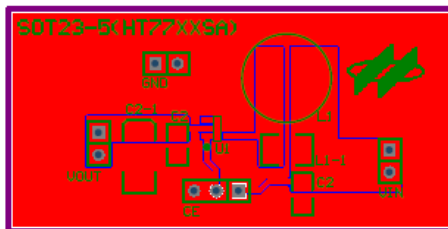
Bottom Layer



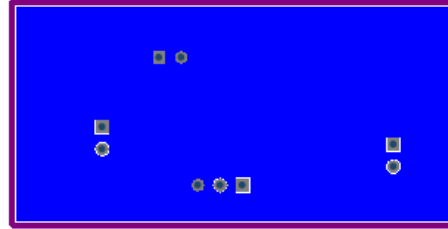
Top Layer



Bottom Layer



Top Layer



Bottom Layer

# Typical Performance Characteristics

## HT7750SA

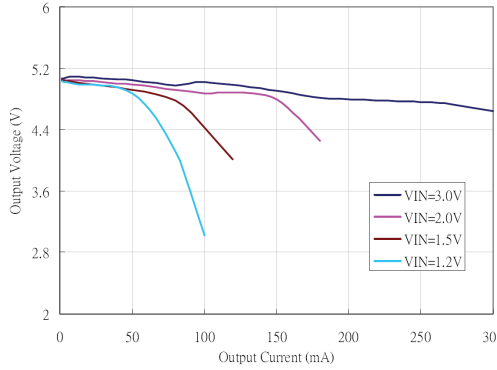


Fig 1. Output Voltage vs. Output Current

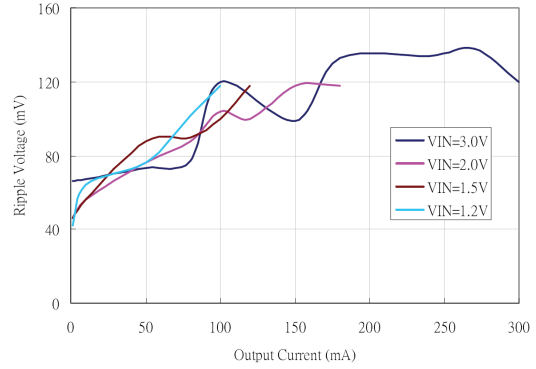


Fig 4. Ripple Voltage vs. Output Current

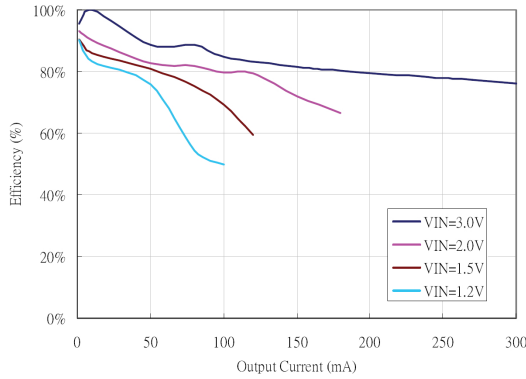


Fig 2. Efficiency vs. Output Current

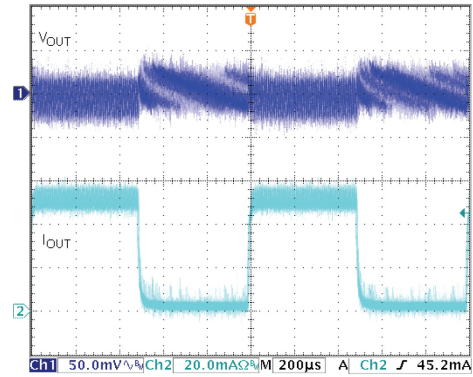


Fig 5. Load Transient Response  
( $L=10\mu\text{H}$ ,  $C_{\text{IN}}=C_{\text{OUT}}=10\mu\text{F}$ ,  $V_{\text{IN}}=3.0\text{V}$ )

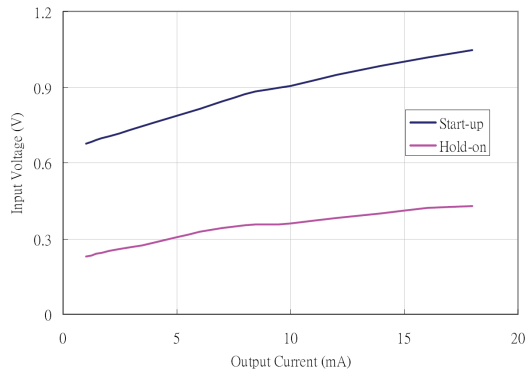


Fig 3. Start-up & Hold-on Voltage

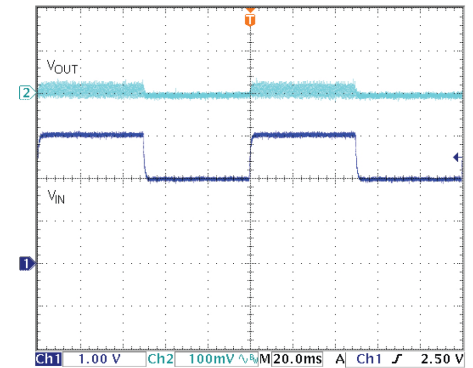


Fig 6. Line Transient Response  
( $L=10\mu\text{H}$ ,  $C_{\text{IN}}=C_{\text{OUT}}=10\mu\text{F}$ ,  $V_{\text{IN}}=3.0\text{V}$ )



HT7750SA

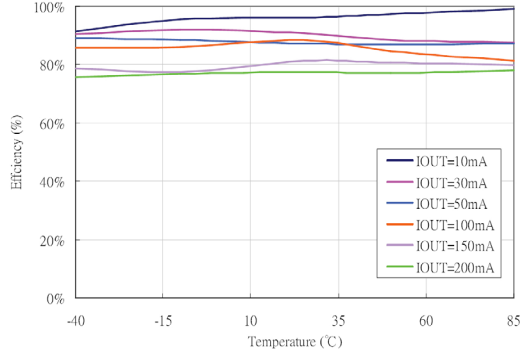


Fig 7. Efficiency & Temperature

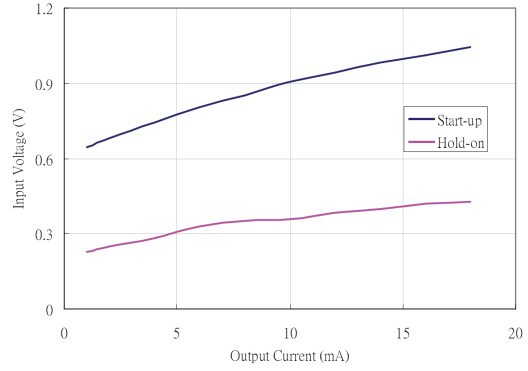


Fig 10. Start-up & Hold-on Voltage

HT7733SA

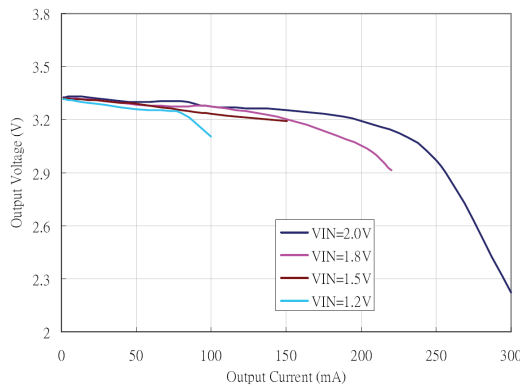


Fig 8. Output Voltage vs. Output Current

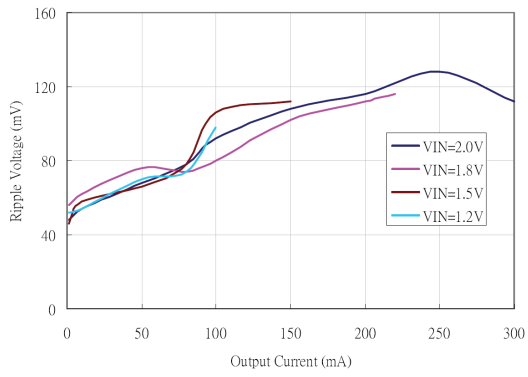


Fig 11. Ripple Voltage vs. Output Current

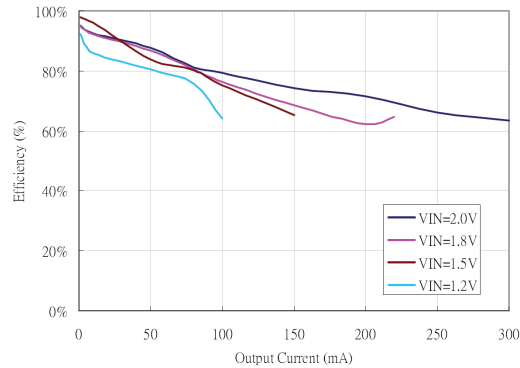


Fig 9. Efficiency vs. Output Current

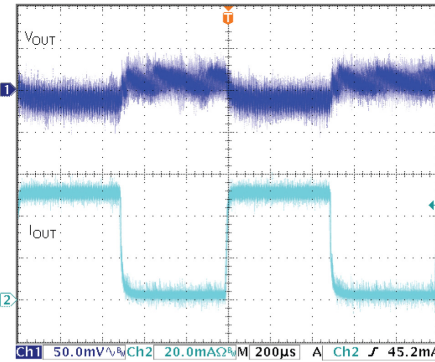
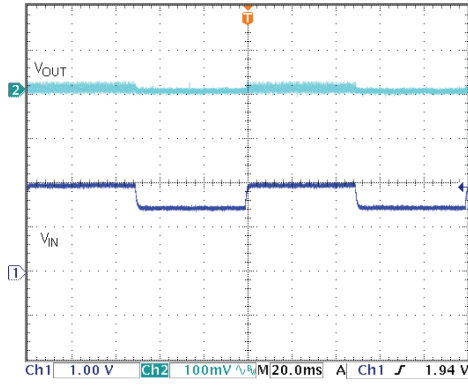
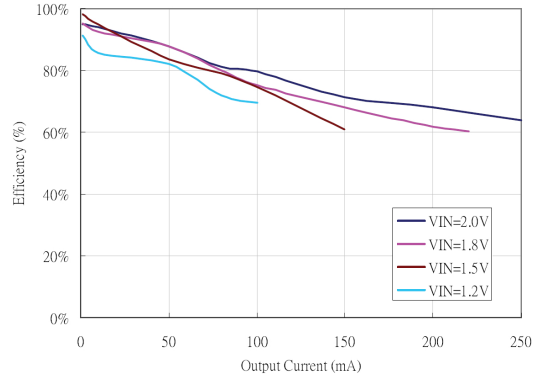


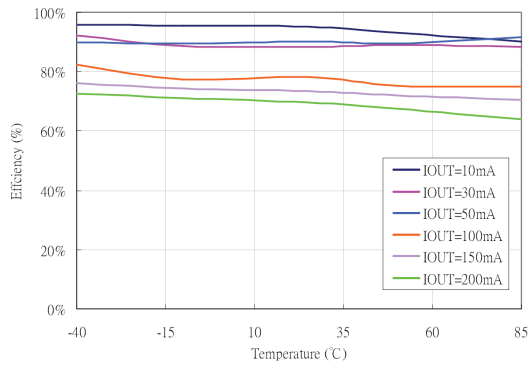
Fig 12. Load Transient Response  
(L=10µH, CIN=COUT=10µF, VIN=1.98V)



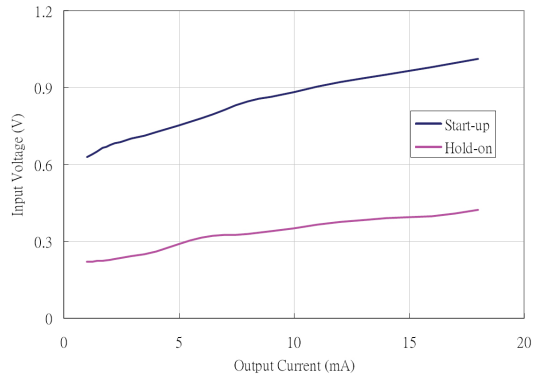
**Fig 13. Line Transient Response**  
 (L=10 $\mu$ H, C<sub>IN</sub>=C<sub>OUT</sub>=10 $\mu$ F, V<sub>IN</sub>=1.98V)



**Fig 16. Efficiency vs. Output Current**

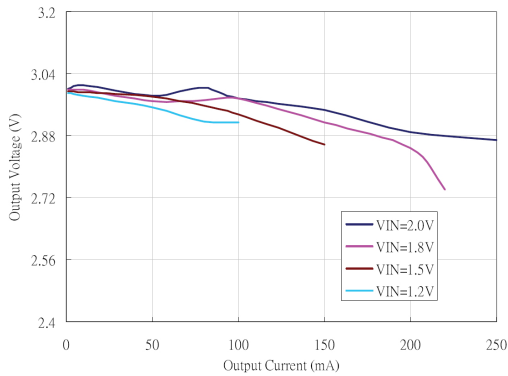


**Fig 14. Efficiency & Temperature**

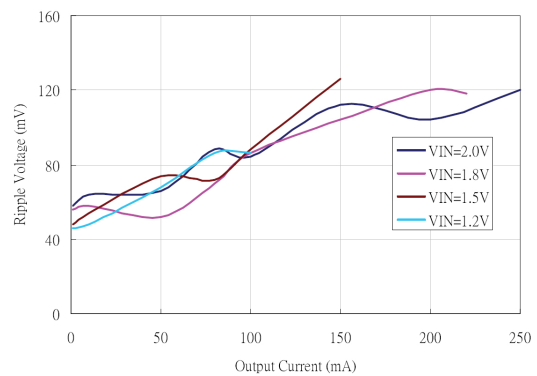


**Fig 17. Start-up & Hold-on Voltage**

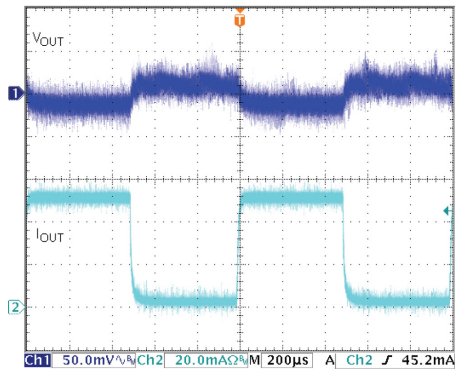
**HT7730SA**



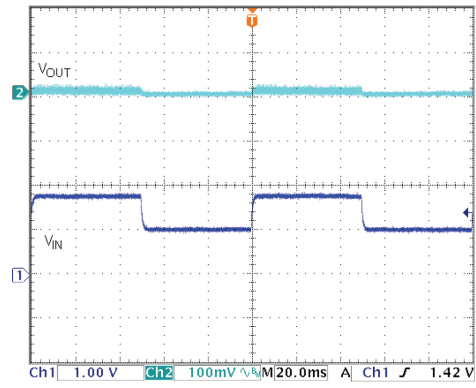
**Fig 15. Output Voltage vs. Output Current**



**Fig 18. Ripple Voltage vs. Output Current**



**Fig 19. Load Transient Response**  
( $L=10\mu\text{H}$ ,  $C_{\text{IN}}=C_{\text{OUT}}=10\mu\text{F}$ ,  $V_{\text{IN}}=1.8\text{V}$ )



**Fig 20. Line Transient Response**  
( $L=10\mu\text{H}$ ,  $C_{\text{IN}}=C_{\text{OUT}}=10\mu\text{F}$ ,  $V_{\text{IN}}=1.8\text{V}$ )

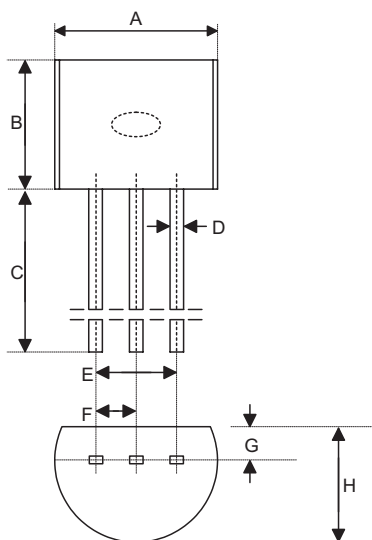
## Package Information

Note that the package information provided here is for consultation purposes only. As this information may be updated at regular intervals users are reminded to consult the [Holtek website](#) for the latest version of the [Package/ Carton Information](#).

Additional supplementary information with regard to packaging is listed below. Click on the relevant section to be transferred to the relevant website page.

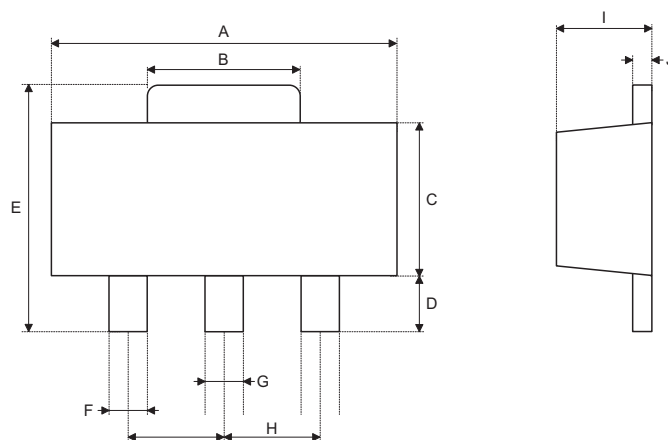
- Package Information (include Outline Dimensions, Product Tape and Reel Specifications)
- The Operation Instruction of Packing Materials
- Carton information

**3-pin TO92 Outline Dimensions**



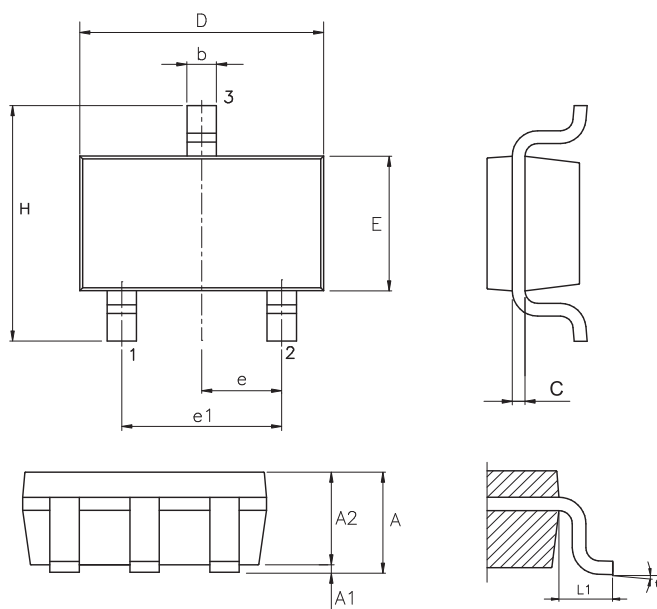
Symbol	Dimensions in inch		
	Min.	Nom.	Max.
A	0.173	0.180	0.205
B	0.170	—	0.210
C	0.500	0.580	—
D	—	0.015 BSC	—
E	—	0.010 BSC	—
F	—	0.050 BSC	—
G	—	0.035 BSC	—
H	0.125	0.142	0.165

Symbol	Dimensions in mm		
	Min.	Nom.	Max.
A	4.39	4.57	5.21
B	4.32	—	5.33
C	12.70	14.73	—
D	—	0.38 BSC	—
E	—	2.54 BSC	—
F	—	1.27 BSC	—
G	—	0.89 BSC	—
H	3.18	3.61	4.19

**3-pin SOT89 Outline Dimensions**


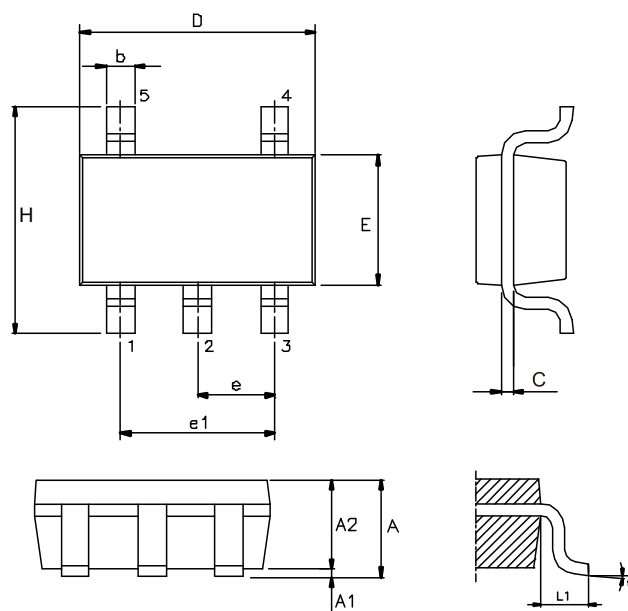
Symbol	Dimensions in inch		
	Min.	Nom.	Max.
A	0.173	—	0.185
B	0.053	—	0.072
C	0.090	—	0.106
D	0.031	—	0.047
E	0.155	—	0.173
F	0.014	—	0.019
G	0.017	—	0.022
H	—	0.059 BSC	—
I	0.055	—	0.063
J	0.014	—	0.017

Symbol	Dimensions in mm		
	Min.	Nom.	Max.
A	4.40	—	4.70
B	1.35	—	1.83
C	2.29	—	2.70
D	0.80	—	1.20
E	3.94	—	4.40
F	0.36	—	0.48
G	0.44	—	0.56
H	—	1.50 BSC	—
I	1.40	—	1.60
J	0.35	—	0.44

**3-pin SOT23 Outline Dimensions**


Symbol	Dimensions in inch		
	Min.	Nom.	Max.
A	—	—	0.057
A1	—	—	0.006
A2	0.035	0.045	0.051
b	0.012	—	0.020
C	0.003	—	0.009
D	—	0.114 BSC	—
E	—	0.063 BSC	—
e	—	0.037 BSC	—
e1	—	0.075 BSC	—
H	—	0.110 BSC	—
L1	—	0.024 BSC	—
$\theta$	0°	—	8°

Symbol	Dimensions in mm		
	Min.	Nom.	Max.
A	—	—	1.45
A1	—	—	0.15
A2	0.90	1.15	1.30
b	0.30	—	0.50
C	0.08	—	0.22
D	—	2.90 BSC	—
E	—	1.60 BSC	—
e	—	0.95 BSC	—
e1	—	1.90 BSC	—
H	—	2.80 BSC	—
L1	—	0.60 BSC	—
$\theta$	0°	—	8°

**5-pin SOT23 Outline Dimensions**


Symbol	Dimensions in inch		
	Min.	Nom.	Max.
A	—	—	0.057
A1	—	—	0.006
A2	0.035	0.045	0.051
b	0.012	—	0.020
C	0.003	—	0.009
D	—	0.114 BSC	—
E	—	0.063 BSC	—
e	—	0.037 BSC	—
e1	—	0.075 BSC	—
H	—	0.110 BSC	—
L1	—	0.024 BSC	—
θ	0°	—	8°

Symbol	Dimensions in mm		
	Min.	Nom.	Max.
A	—	—	1.45
A1	—	—	0.15
A2	0.90	1.15	1.30
b	0.30	—	0.50
C	0.08	—	0.22
D	—	2.90 BSC	—
E	—	1.60 BSC	—
e	—	0.95 BSC	—
e1	—	1.90 BSC	—
H	—	2.80 BSC	—
L1	—	0.60 BSC	—
θ	0°	—	8°



Copyright© 2018 by HOLTEK SEMICONDUCTOR INC.

The information appearing in this Data Sheet is believed to be accurate at the time of publication. However, Holtek assumes no responsibility arising from the use of the specifications described. The applications mentioned herein are used solely for the purpose of illustration and Holtek makes no warranty or representation that such applications will be suitable without further modification, nor recommends the use of its products for application that may present a risk to human life due to malfunction or otherwise. Holtek's products are not authorized for use as critical components in life support devices or systems. Holtek reserves the right to alter its products without prior notification. For the most up-to-date information, please visit our web site at <http://www.holtek.com>.

## X-ON Electronics

Largest Supplier of Electrical and Electronic Components

*Click to view similar products for [Isolated DC/DC Converters](#) category:*

*Click to view products by [Holtek](#) manufacturer:*

Other Similar products are found below :

[FMD15.24G](#) [PSL486-7LR](#) [Q48T30020-NBB0](#) [18362](#) [JAHW100Y1](#) [SPB05C-12](#) [SQ24S15033-PS0S](#) [18952](#) [19-130041](#) [CE-1003](#) [CE-1004](#)  
[RDS180245](#) [MAU228](#) [J80-0041NL](#) [DFC15U48D15](#) [XGS-1205](#) [NCT1000N040R050B](#) [SPB05B-15](#) [SPB05C-15](#) [L-DA20](#) [DCG40-5G](#)  
[QME48T40033-PGB0](#) [AK1601-9RT](#) [DPA423R](#) [VI-R5022-EXWW](#) [PSC128-7iR](#) [RPS8-350ATX-XE](#) [DAS1004812](#) [PQA30-D24-S24-DH](#) [vi-](#)  
[m13-cw-03](#) [VI-LN2-EW](#) [VI-PJW01-CZY](#) [CK2540-9ERT](#) [AK-1615-7R](#) [700DNC40-CON-KIT-8G](#) [350DNC40-CON-KIT-9G](#) [088-101348-G](#)  
[VI-L52-EW](#) [VI-L53-CV](#) [PQA30-D48-S12-TH](#) [VI-L50-IY](#) [VI-LC63-EV](#) [AM2D-051212DZ](#) [24IBX15-50-0ZG](#) [HZZ01204-G](#) [SPU02L-09](#)  
[SPU02M-09](#) [SPU02N-09](#) [UNO-PS/350-900DC/24DC/60W](#) [QUINT4-BUFFER/24DC/20](#)