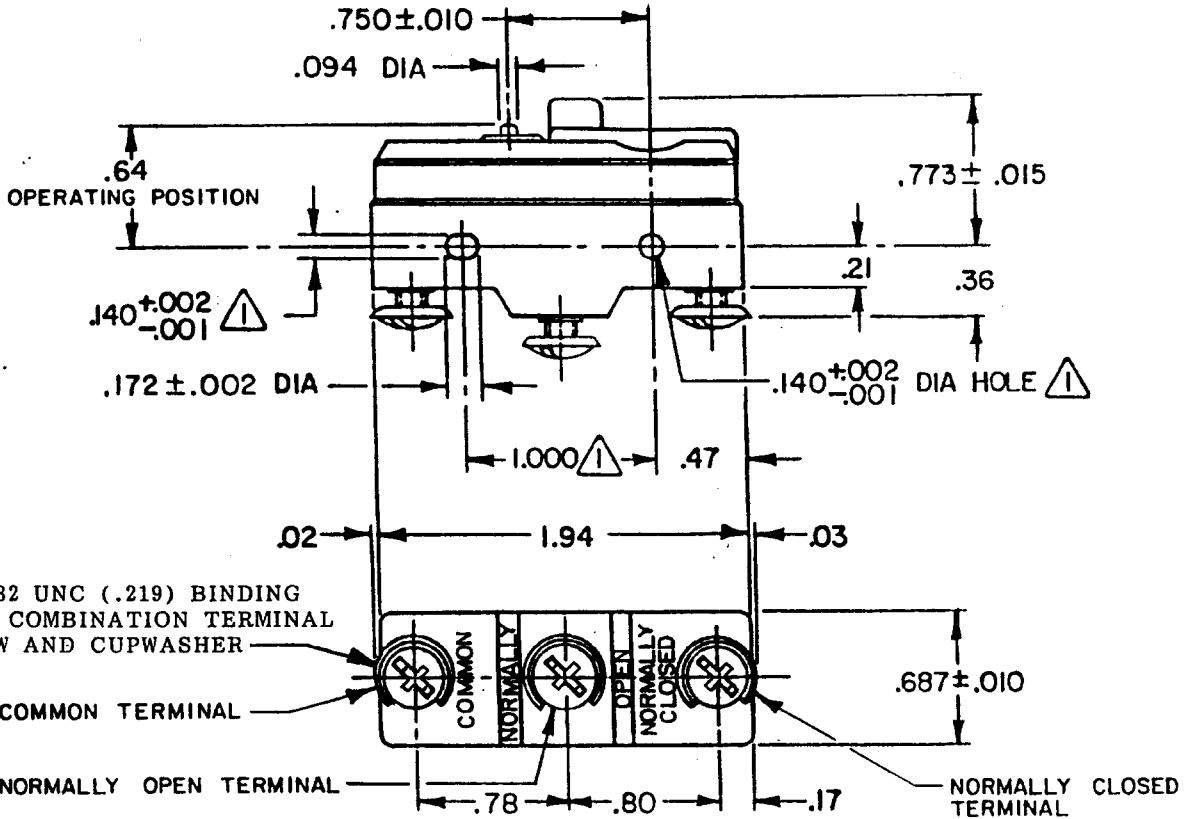
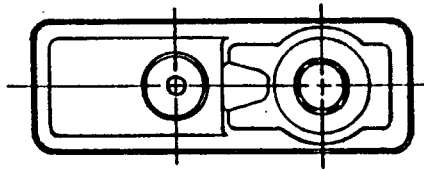


MICRO SWITCH

FREEMONT ILLINOIS, U.S.A.
A DIVISION OF HONEYWELL INC.
FED. MFG. CODE 91929

SWITCH - BASIC

CATALOG LISTING
10BS228



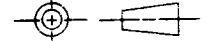
3X 8-32 UNC (.219) BINDING HEAD COMBINATION TERMINAL SCREW AND CUPWASHER

NOTES

- 1 MOUNTING HOLES WILL ACCEPT PINS OR SCREWS OF $.139$ MAX DIA ON $1.000 \pm .002$ CENTERS
- 2 - ADJUSTING SCREW BUSHING IS AT SAME ELECTRICAL POTENTIAL AS NORMALLY CLOSED TERMINAL

THIS DRAWING COVERS A PROPRIETARY ITEM AND IS THE PROPERTY OF MICRO SWITCH, A DIVISION OF HONEYWELL. THIS DRAWING IS NOT TO BE COPIED OR USED WITHOUT THE APPROVAL OF MICRO SWITCH.

THIRD ANGLE PROJECTION



CHARACTERISTICS

OPERATING FORCE ----- 32 OZ MAX
RELEASE FORCE ----- 10 OZ MIN
DIFFERENTIAL TRAVEL ----- $.010$ MIN
OVERTRAVEL ----- $.010$ MIN

ELECTRICAL DATA

CONTACT ARRANGEMENT
S P D T

20A 125, 250 OR 480 VAC
3/4 HP 125 VAC, 1 1/2 HP 250 VAC



60 / 75° (CU)

SCALE FULL

DO NOT SCALE PRINT

UNLESS OTHERWISE SPECIFIED TOLERANCES ARE

ONE PLACE (.0) $\pm .030$

TWO PLACE (.00) $\pm .015$

THREE PLACE (.000) $\pm .005$

ANGLES $\pm 10^\circ$

RAW MATERIAL - COMMERCIAL STANDARD

DIMENSIONS ARE IN INCHES AND ARE TO BE MET BEFORE PROTECTIVE COATINGS ARE APPLIED

MICRO SWITCH STANDARDS APPLY

WEIGHT

10BS228

M

DRAWING NUMBER

ISSUE

3

REVISIONS

A	CO-73267-C	J A	20 OCT 93
B	CO-80988	J J A	5 JUN 95

REPLACES X84699-10BS

RELEASE NO. PR-15873

CHECK

CHECK

3 SEP 87

3 SEP 87

CHECK

CHECK

3 SEP 87

FO-52848-B

DRAWN

MAM

X-ON Electronics

Largest Supplier of Electrical and Electronic Components

Click to view similar products for [Basic / Snap Action Switches](#) category:

Click to view products by [Honeywell](#) manufacturer:

Other Similar products are found below :

[5SM901-S12](#) [5SM9-S12N195](#) [01.098.1358.1](#) [602EN532](#) [602EN535-RB](#) [602HE5-RB1](#) [604HE162](#) [604HE223-6B](#) [624HE17-RB](#) [6HM82](#)
[6HM89](#) [6SE1](#) [6SX1-H58](#) [70500216](#) [70599106](#) [MBD5B1](#) [MBH2731](#) [73-316-0012](#) [EXD-AR20](#) [79211923](#) [79218589](#) [7AS12](#)
[MIL30126AB6BBMD4A12XAU](#) [ML-1155](#) [ML-1376](#) [831010C3.0](#) [831090C2.EL](#) [83131904](#) [84212012](#) [8AS239](#) [8HM73-3](#) [8SX26-H33](#)
[914CE1-6G](#) [PL-100](#) [11SM1077-H4](#) [11SM1077-H58](#) [11SM1-TN107](#) [11SM405](#) [11SM8423-H2](#) [11SX37-T](#) [11SX48-H58](#) [11SM2442-T](#)
[11SM76-T](#) [11SM77-H58](#) [11SM77-T](#) [11SM863-T](#) [11SM866](#) [A7CN-1M-1-LEFT](#) [A831700C7.0](#) [121EN187-R](#)