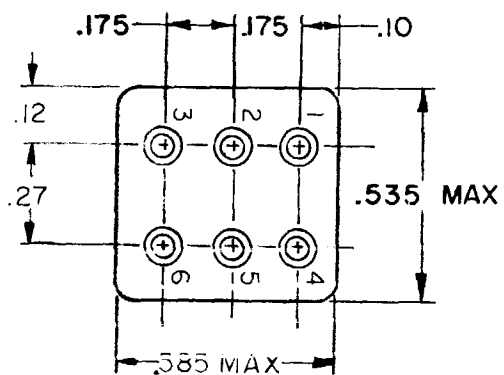
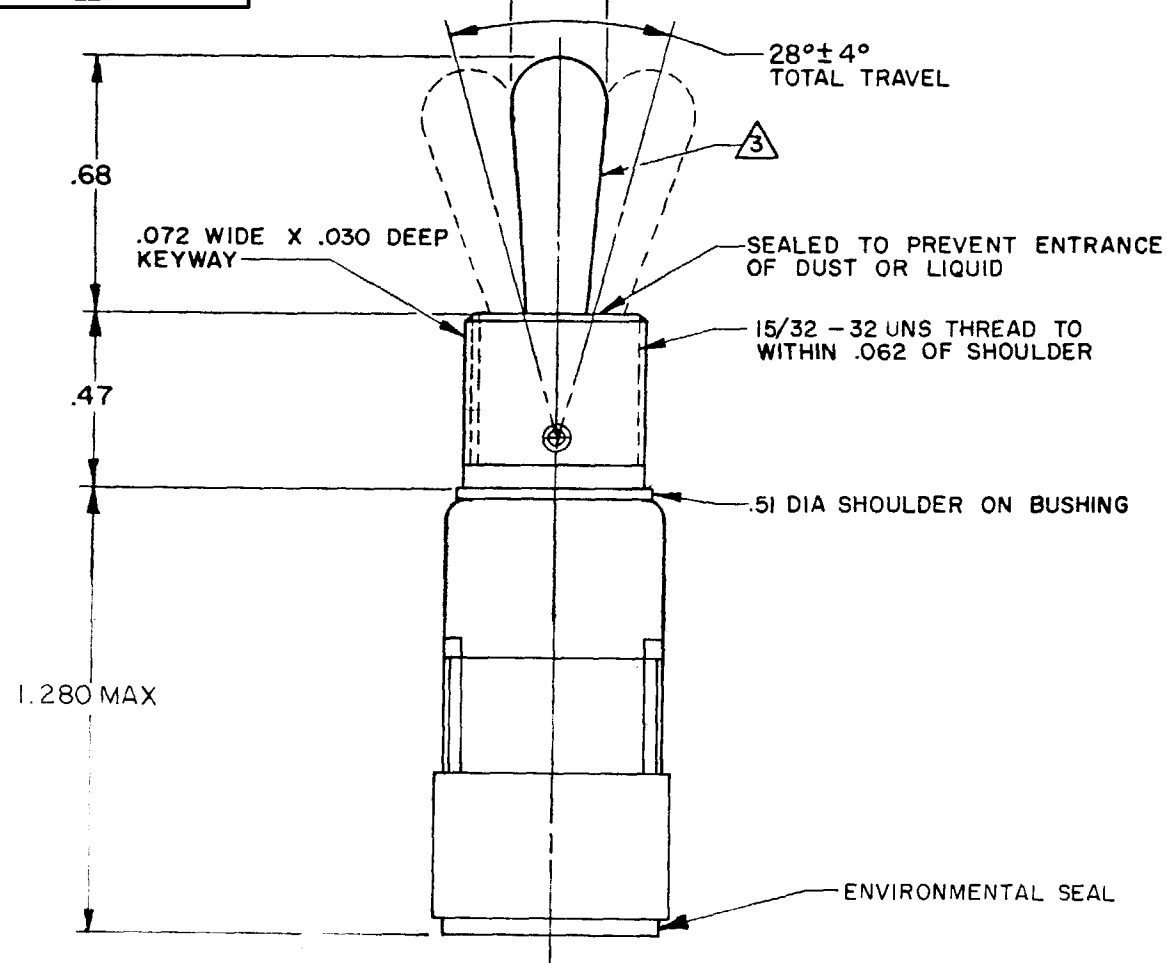


HONEYWELL  
PART NUMBER

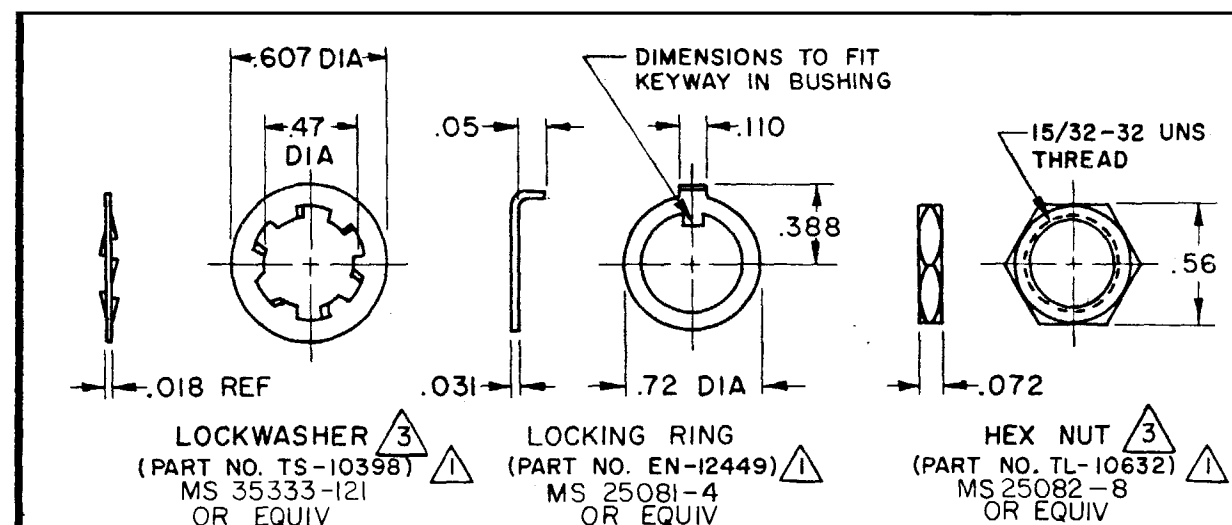


.240 DIA



- NOTE -
- 1 - FURNISHED UNASSEMBLED
  - 2 - TERMINATION WILL ACCEPT CRIMP CONTACT CONFORMING TO MIL-39029/1-20 ONLY
  - 3 - MATTE FINISH
  - 4 - GOLD PLATED CONTACTS
  - 5 - SEE CHART FOR CATALOG LISTING

REV	DOCUMENT	CHANGED BY	CHECK
8	0020219	SK 27MAR06	AS



CATALOG LISTING	CIRCUIT WITH TOGGLE IN		
	ONE EXTREME POSITION (KEYWAY)	CENTER POSITION	OTHER EXTREME POSITION (OPPOSITE KEYWAY)
5	2-1 5-4		2-3 5-6
112TW8-1	ON	OFF	ON
112TW8-3	ON	NONE	ON
112TW8-7	MOM ON	OFF	MOM ON
112TW8-8	MOM ON	NONE	ON

DESIGN UNITS: INCH  
TOLERANCES UNLESS NOTED:

NO PLACE	X	±	
ONE PLACE	.X	±	0.030
TWO PLACE	.XX	±	0.015
THREE PLACE	.XXX	±	0.005
FOUR PLACE	.XXXX	±	
ANGLES		±	

THIRD ANGLE PROJECTION

CHARACTERISTICS	ELECTRICAL DATA
	CONTACT ARRANGEMENT
	28 VDC & 125 VAC .1 AMP RES .1 AMP IND .1 AMP LAMP

DRAWN	KRB	09SEP05
CHECK	RJ	09SEP05
THIS DRAWING COVERS A PROPRIETARY ITEM AND IS THE PROPERTY OF HONEYWELL. THIS DRAWING IS NOT TO BE COPIED OR USED WITHOUT THE PERMISSION OF HONEYWELL.		
INTERPRET PER ASME Y14.5M-1994 OTHER HONEYWELL ENGINEERING STANDARDS MAY APPLY		
RASTER		

<b>Honeywell</b>			
TITLE <b>SWITCH - TOGGLE</b>			
SIZE	TYPE	DRAWING NAME	REV
<b>B</b>	<b>I</b>	112 TW8 SERIES CHART 1	<b>8</b>
SCALE 2:1		SHEET 1 OF 1	

## X-ON Electronics

Largest Supplier of Electrical and Electronic Components

*Click to view similar products for [Toggle Switches](#) category:*

*Click to view products by [Honeywell](#) manufacturer:*

Other Similar products are found below :

[8928K478](#) [020017-13](#) [60012L](#) [6006L](#) [CS115W](#) [CS120W](#) [637H/25](#) [6663](#) [7101SPDV30BE](#) [7103SDV30BE](#) [7105D](#) [7108P3YAV2BE](#)  
[71YY50282](#) [7300K36](#) [7301K38](#) [7306K36](#) [7310K36](#) [7506K4](#) [7592K6](#) [7660K12](#) [7691K14](#) [7700K1](#) [8391K108](#) [8396K108](#) [8824K14](#)  
[8828K13](#) [8835K3](#) [8858K44](#) [PS83-121G](#) [1-1825192-0](#) [A201SCWZB04](#) [A207SYCB04](#) [A208J61ZQ0004](#) [A221T1TCQ](#) [A232M1YCQ](#)  
[A323S1CWZQ](#) [A423S1CWZG-M8](#) [1201W](#) [12156AX408](#) [12147AGKX679](#) [12246X778](#) [12TW49-3D](#) [130312](#) [13037L](#) [13001X](#)  
[AE101MD1W4B04](#) [AE208SD1W4B04](#) [MS24659-22D](#) [MS27407-5](#) [1520230-9](#)