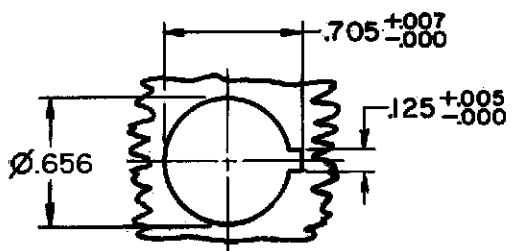


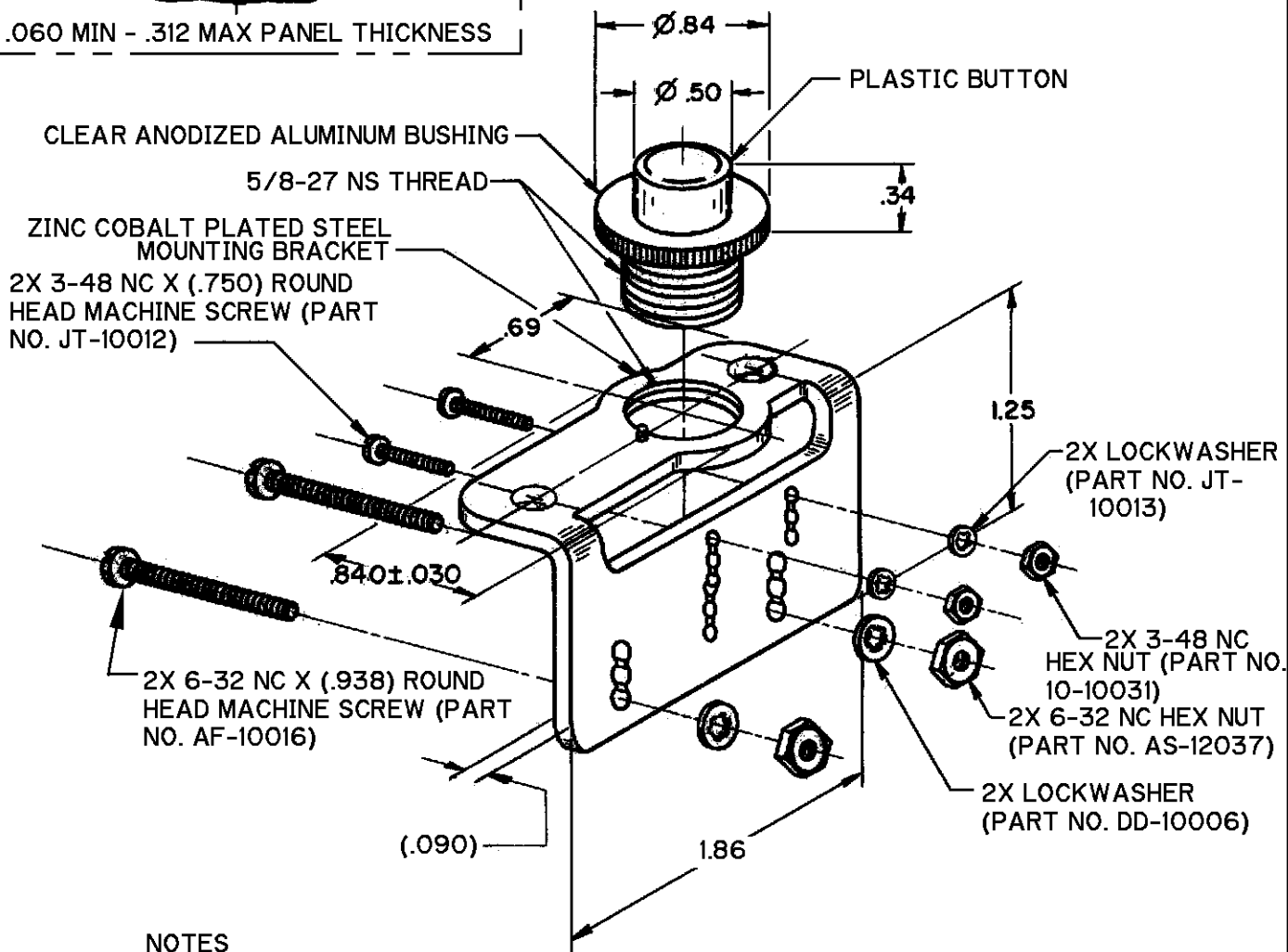
CATALOG LISTING
"12MA" SERIES CHART 1
PAGE 1 OF 1
ISSUE **M** 13
REVISIONS
A CO-94735 JJA 9 JUNE 99
B 200754 CSL 5 JUL 00
DRAWN
JJA 9 JUNE 99
CHECK
JAF 9 JUNE 99
CHECK
JAF 9 JUNE 99
CHECK
JJA 9 JUNE 99
RELEASE NO. SR 7522
REPLACES

MOUNTING PANEL HOLE DETAIL



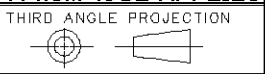
.060 MIN - .312 MAX PANEL THICKNESS

| RELEASE STATUS | COMMENTS | PLASTIC BUTTON COLOR | ACTUATOR SWITCH CATALOG LISTING |
|----------------|----------|----------------------|---------------------------------|
| SR 7522 | | BLACK | 12MA1 |
| SR 7522 | | RED | 12MA2 |
| SR 7522 | | GREEN | (A) |
| | | BLACK | 12MA11 |
| | | RED | 12MA12 |
| P-ORDER | | YELLOW | 12MA4 |



- NOTES**
- 1 - TWO COMPLETE SETS OF SCREWS, NUTS AND LOCKWASHERS FURNISHED UNASSEMBLED (CUSTOMER WILL SELECT PROPER SET)
 - 2 - THE VARIOUS PANEL THICKNESSES MAY BE ACCOMMODATED WITH THIS ACTUATOR BY PROPER SELECTION OF BASIC SWITCH MOUNTING HOLES
 - 3 - NOT SUITABLE FOR USE WITH 1TB1-3 TYPE BASIC
- ANSI Y14.5M-1982 APPLIES**

THIS DRAWING COVERS A PROPRIETARY ITEM AND IS THE PROPERTY OF MICRO SWITCH, A DIVISION OF HONEYWELL. THIS DRAWING IS NOT TO BE COPIED OR USED WITHOUT THE APPROVAL OF MICRO SWITCH.



| CHARACTERISTICS | ELECTRICAL DATA | SCALE FULL | DO NOT SCALE PRINT |
|-----------------|---------------------|---|--------------------|
| | CONTACT ARRANGEMENT | | |
| | | UNLESS OTHERWISE SPECIFIED TOLERANCES ARE | |
| | | ONE PLACE (.0) | ±.030 |
| | | TWO PLACE (.00) | ±.015 |
| | | THREE PLACE (.000) | ±.005 |
| | | ANGLES | ± |
| | | WEIGHT | |

X-ON Electronics

Largest Supplier of Electrical and Electronic Components

Click to view similar products for [Switch Actuators](#) category:

Click to view products by [Honeywell](#) manufacturer:

Other Similar products are found below :

[LW1B-A0L](#) [LW1B-M0](#) [680-4000-00](#) [704.012.618](#) [704.411.018I](#) [704.412.0](#) [704.633.1](#) [704.730.1](#) [704.733.0](#) [84-1221.7](#) [862.8102](#) [G6083](#)
[9PA24](#) [A0107X](#) [A019307](#) [ADC-418G](#) [12MA7](#) [ASDHYY-B](#) [HW1F-3G](#) [HW1M-L2222](#) [HW4S-31L](#) [200-.704-00](#) [JS-10008](#) [JS-10083](#) [JS-10118](#) [JS-10133](#) [JS-10277](#) [JS-10389](#) [JS-150](#) [JS-552](#) [JS-555](#) [JS-68](#) [JS-6-B](#) [JS-91](#) [JS-94](#) [22-211.011](#) [9001KXSDC](#) [92-458.500](#) [SAPT654133](#)
[2PA3](#) [SW53AA2](#) [302561](#) [LW2L-A0](#) [3E-10.4](#) [3E-12.0](#) [468-10243-001](#) [51-030.005](#) [JM-13](#) [JS-10120](#) [JS-138-B](#)