

C2.4

MICRO SWITCH

A DIVISION OF HONEYWELL-REGULATOR COMPANY
SPRINGFIELD, MASSACHUSETTS

FED. MFR. CODE 91929

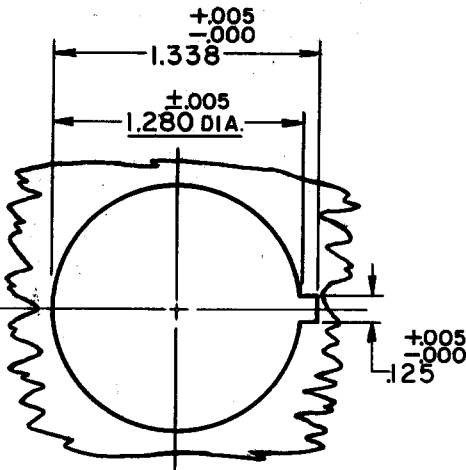
ACTUATOR-SWITCH

"12MA" SERIES

CHART 2

5

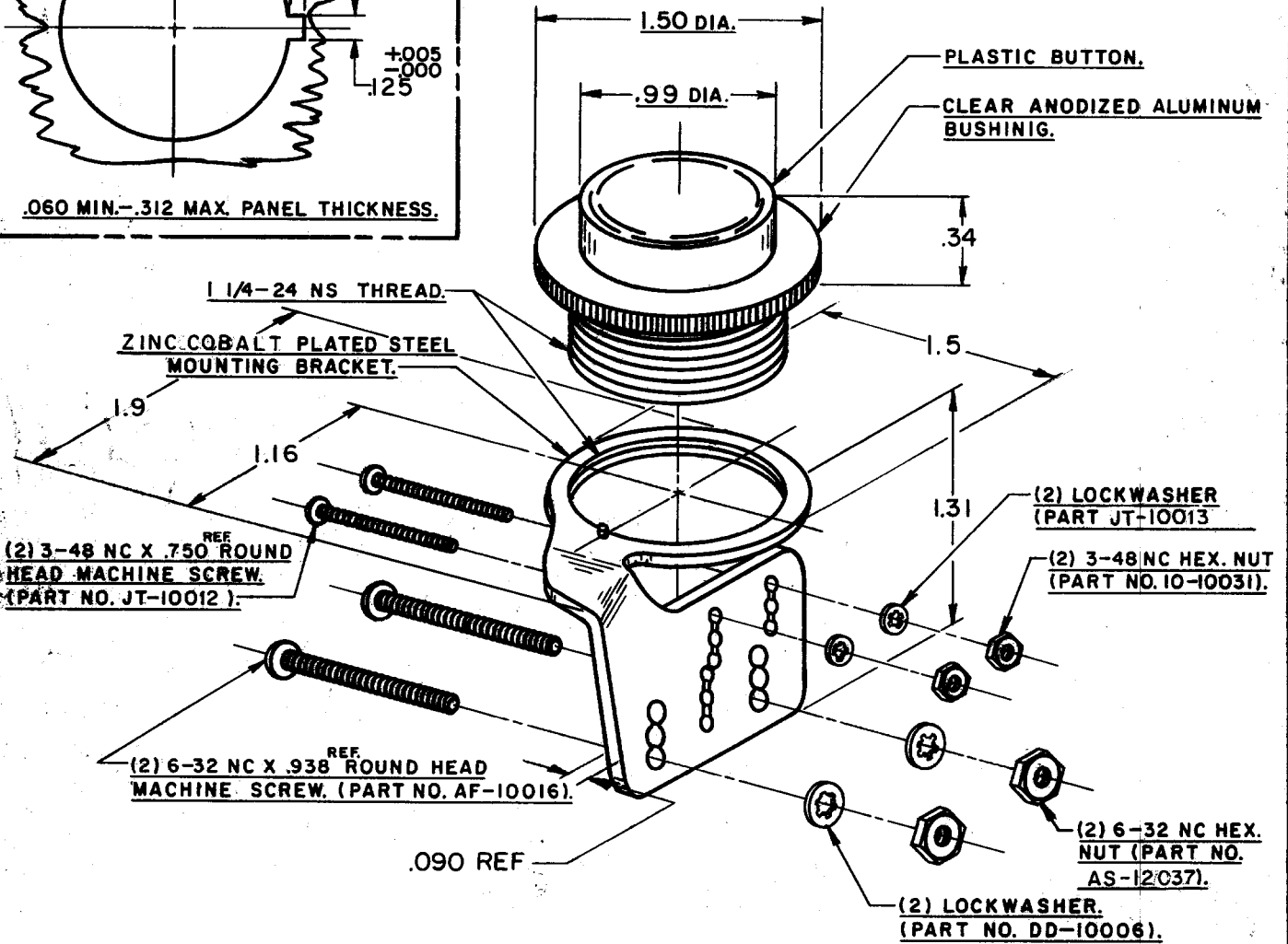
MTG. PANEL HOLE DETAIL



.060 MIN. - .312 MAX. PANEL THICKNESS.

PLASTIC BUTTON COLOR	ACTUATOR-SWITCH CAT. LIST.
BLACK	12MA5
RED	12MA6
GREEN	12MA7

THIS DRAWING COVERS A PROPRIETARY ITEM AND IS THE PROPERTY OF MICRO SWITCH, A DIVISION OF HONEYWELL. THIS DRAWING IS NOT TO BE COPIED OR USED WITHOUT THE APPROVAL OF MICRO SWITCH.



NOTE-

- 1-NOT SUITABLE FOR USE WITH ITBI-3 TYPE BASIC.
- 2-TWO COMPLETE SETS OF SCREWS, NUTS AND WASHERS FURNISHED UNASSEMBLED (CUSTOMER WILL SELECT PROPER SET).
- 3-THE VARIOUS PANEL THICKNESSES MAY BE ACCOMMODATED WITH THIS ACTUATOR BY PROPER SELECTION OF BASIC SWITCH MOUNTING HOLES.

CHARACTERISTICS	ELECTRICAL DATA	SCALE - FULL
	CONTACT ARRANGEMENT	DO NOT SCALE PRINT
		UNLESS OTHERWISE SPECIFIED DIMENSIONS ARE IN INCHES
		TOLERANCES ARE:
		ONE PLACE (.0) ±.030
		TWO PLACE (.00) ±.015
		THREE PLACE (.000) ±.008
		ANGLES ±
		WEIGHT

M "12MA" SERIES CHART 2
 DRAWING NUMBER
 ISSUE 1 2 3 4 5 6 7 8
 REPLACES
 RELEASE NO. SR 7525
 CHECK
 24 MAY 58
 ACE
 2 JUNE 58
 GCH
 22 MAY 58
 CHECK
 K. A. F.
 DRAWN
 PO-90378

X-ON Electronics

Largest Supplier of Electrical and Electronic Components

Click to view similar products for [Basic / Snap Action Switches](#) category:

Click to view products by [Honeywell](#) manufacturer:

Other Similar products are found below :

[5SM901-S12](#) [5SM9-S12N195](#) [01.098.1358.1](#) [602EN532](#) [602EN535-RB](#) [602HE5-RB1](#) [604HE162](#) [604HE223-6B](#) [624HE17-RB](#) [6HM82](#)
[6HM89](#) [6SE1](#) [6SX1-H58](#) [70500216](#) [70599106](#) [MBD5B1](#) [MBH2731](#) [73-316-0012](#) [EXD-AR20](#) [79211923](#) [79218589](#) [7AS12](#)
[MIL30126AB6BBMD4A12XAU](#) [ML-1155](#) [ML-1376](#) [831010C3.0](#) [831090C2.EL](#) [83131904](#) [84212012](#) [8AS239](#) [8HM73-3](#) [8SX26-H33](#)
[914CE1-6G](#) [PL-100](#) [11SM1077-H4](#) [11SM1077-H58](#) [11SM1-TN107](#) [11SM405](#) [11SM8423-H2](#) [11SX37-T](#) [11SX48-H58](#) [11SM2442-T](#)
[11SM76-T](#) [11SM77-H58](#) [11SM77-T](#) [11SM863-T](#) [11SM866](#) [A7CN-1M-1-LEFT](#) [A831700C7.0](#) [121EN187-R](#)