

C2.4

# MICRO SWITCH

A DIVISION OF HONEYWELL-REGULATOR COMPANY  
SPRINGFIELD, MASSACHUSETTS

FED. MFR. CODE 91929

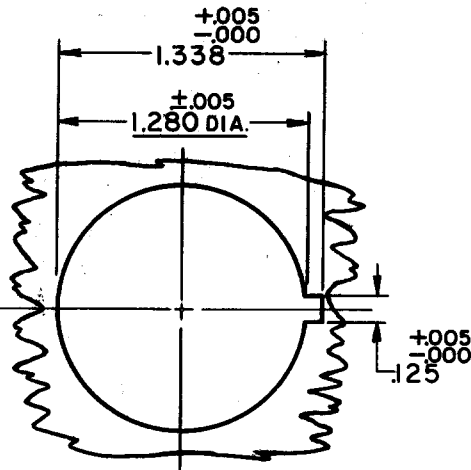
## ACTUATOR-SWITCH

# "12MA" SERIES

## CHART 2

5

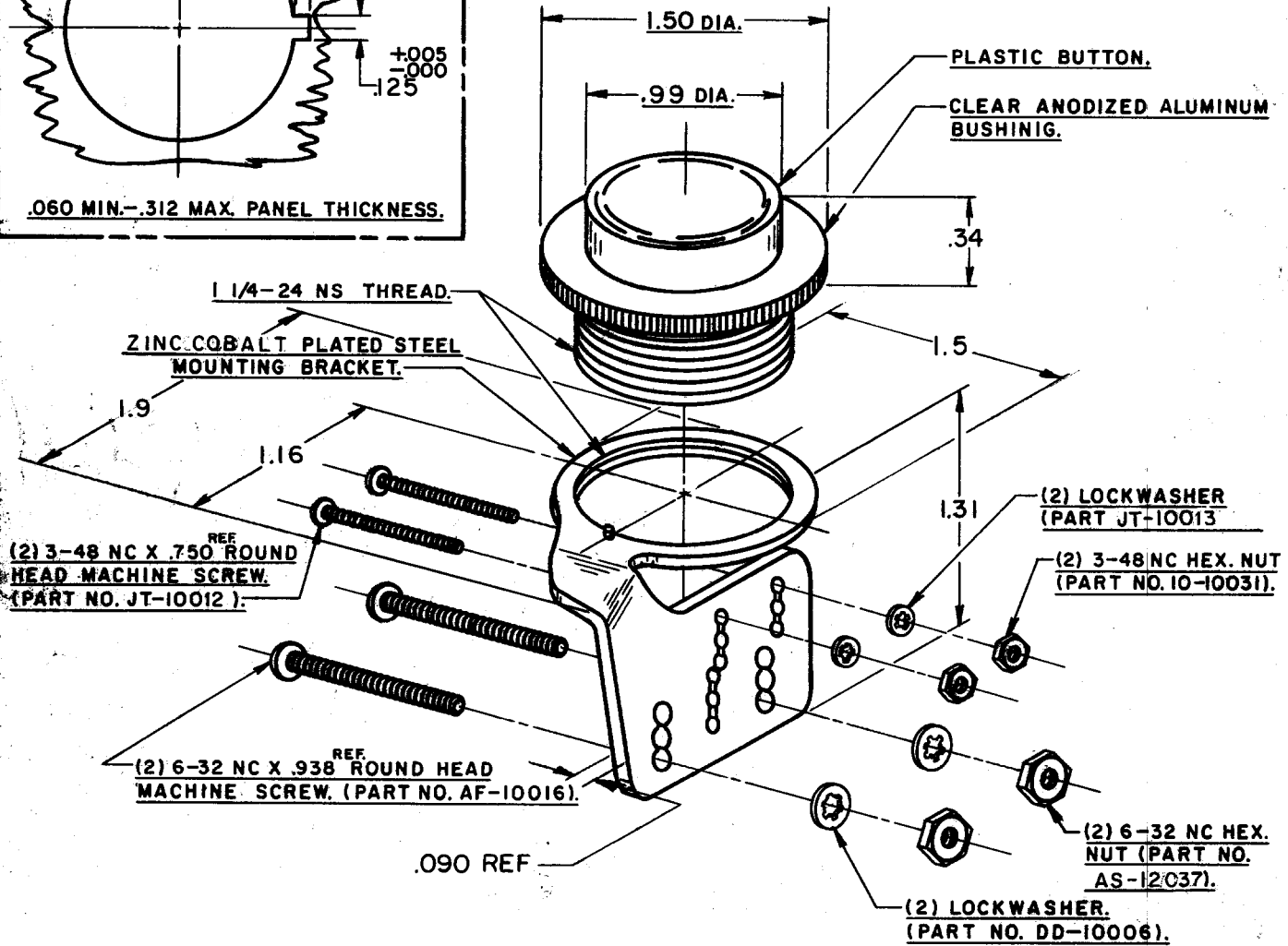
### MTG. PANEL HOLE DETAIL



.060 MIN. - .312 MAX. PANEL THICKNESS.

PLASTIC BUTTON COLOR	ACTUATOR-SWITCH CAT. LIST.
BLACK	12MA5
RED	12MA6
GREEN	12MA7

THIS DRAWING COVERS A PROPRIETARY ITEM AND IS THE PROPERTY OF MICRO SWITCH, A DIVISION OF HONEYWELL. THIS DRAWING IS NOT TO BE COPIED OR USED WITHOUT THE APPROVAL OF MICRO SWITCH.



### NOTE-

- 1-NOT SUITABLE FOR USE WITH ITBI-3 TYPE BASIC.
- 2-TWO COMPLETE SETS OF SCREWS, NUTS AND WASHERS FURNISHED UNASSEMBLED (CUSTOMER WILL SELECT PROPER SET).
- 3-THE VARIOUS PANEL THICKNESSES MAY BE ACCOMMODATED WITH THIS ACTUATOR BY PROPER SELECTION OF BASIC SWITCH MOUNTING HOLES.

CHARACTERISTICS	ELECTRICAL DATA	SCALE - FULL
	CONTACT ARRANGEMENT	DO NOT SCALE PRINT
		UNLESS OTHERWISE SPECIFIED DIMENSIONS ARE IN INCHES
		<b>TOLERANCES ARE:</b>
		ONE PLACE (.0) ±.030
		TWO PLACE (.00) ±.015
		THREE PLACE (.000) ±.008
		ANGLES ±
		<b>WEIGHT</b>

**M "12MA" SERIES**  
 CHART 2  
 DRAWING NUMBER  
 ISSUE 12  
 CHECKED  
 RELEASE NO. SR 7525  
 REPLACES  
 CHECK  
 24 MAY 58  
 CHECK  
 2 JUNE 58  
 CHECK  
 22 MAY 58  
 DRAWN  
 K. A. F.

CO13592	1
CO14480	1
CO14441	1
CO18474	1
CO78546	1

FO-90378

## X-ON Electronics

Largest Supplier of Electrical and Electronic Components

*Click to view similar products for [Switch Actuators](#) category:*

*Click to view products by [Honeywell](#) manufacturer:*

Other Similar products are found below :

[LW1B-A0L](#) [LW1B-M0](#) [680-4000-00](#) [704.012.618](#) [704.411.018I](#) [704.412.0](#) [704.633.1](#) [704.730.1](#) [704.733.0](#) [84-1221.7](#) [862.8102](#) [G6083](#)  
[9PA24](#) [A0107X](#) [A019307](#) [ADC-418G](#) [12MA7](#) [ASDHYY-B](#) [HW1F-3G](#) [HW1M-L2222](#) [HW4S-31L](#) [200-.704-00](#) [JS-10008](#) [JS-10083](#) [JS-10118](#) [JS-10133](#) [JS-10277](#) [JS-10389](#) [JS-150](#) [JS-552](#) [JS-555](#) [JS-68](#) [JS-6-B](#) [JS-91](#) [JS-94](#) [22-211.011](#) [9001KXSDC](#) [92-458.500](#) [SAPT654133](#)  
[2PA3](#) [SW53AA2](#) [302561](#) [LW2L-A0](#) [3E-12.0](#) [468-10243-001](#) [51-030.005](#) [JM-13](#) [JS-10120](#) [JS-138-B](#) [JS-143-B](#)