

MICRO SWITCH

FREEPORT, ILLINOIS, U.S.A.
A DIVISION OF HONEYWELL
FED. MFG. CODE 9 1929

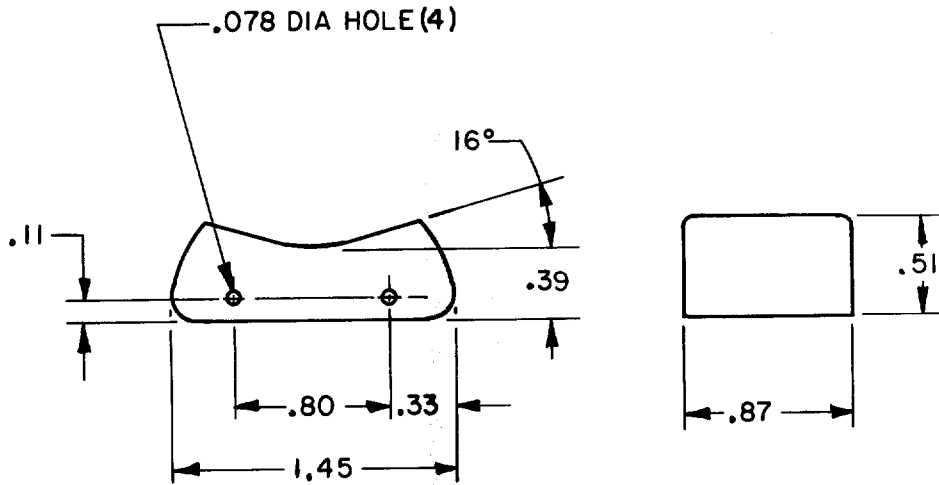
PACKET

CATALOG LISTING

12 PA 6

THIS DRAWING COVERS A PROPRIETARY ITEM AND IS THE PROPERTY OF MICRO SWITCH. A DIVISION OF HONEYWELL. THIS DRAWING IS NOT TO BE COPIED OR USED WITHOUT THE APPROVAL OF MICRO SWITCH.

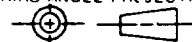
12 PA 6		REPLACES
M		RELEASE NO. PR-10302
DRAWING NUMBER		
ISSUE		CHECK
3		
5		
REVISIONS		
A	DR-2423	ZB JANSI
S L B 28 JAN 81		
B	PR-10302	ZB JANSI
J A P 10 JUN 81		
C	0056164	KJC
J A P 6 MAR 83		
D	C059134	KJC
K E W 15 APR 86		
DRAWN		
S L B 28 JAN 81		



NOTE

1 MATERIAL - TRANSLUCENT WHITE ACRYLIC

THIRD ANGLE PROJECTION



SCALE FULL

DO NOT SCALE PRINT

TOLERANCES

APPLY TO DESIGN UNITS. CONVERSIONS ARE ONLY FOR REFERENCE. UNLESS NOTED, TOLERANCES ARE ±

	DIM. mm	TOL. mm/in	DIM. in	TOL. mm/in
NO PLACES	X	1/.04	X	0.07/00
ONE PLACE	X,X	0.47/016	X,X	0.387/016
TWO PLACES	X,X,X	0.16/.006	X,X,X	0.13/.005
THREE PLACES	X,X,X,X		X,X,X,X	
ANGLES				

SI METRIC

US CUSTOMARY

DESIGN UNITS

WEIGHT

X-ON Electronics

Largest Supplier of Electrical and Electronic Components

Click to view similar products for [Switch Bezels / Switch Caps](#) category:

Click to view products by [Honeywell](#) manufacturer:

Other Similar products are found below :

[896809000](#) [LW1A-B2-R](#) [LW2A-B1-G](#) [704.604.4](#) [704.955.3](#) [F1403](#) [7527](#) [760203000](#) [760503000](#) [766601000](#) [785105000](#) [785106000](#)
[79211759](#) [MG12KB](#) [MH11](#) [MH13](#) [MHU31](#) [MJ1216](#) [MJ1226](#) [MJ33](#) [MJ612](#) [MJ626](#) [MJ627](#) [9001T8BK](#) [908-1634](#) [92-343.200](#) [92-343.400](#)
[95804.920](#) [95CAP-011](#) [95CAP-112](#) [11-932.7](#) [99-901.9](#) [99-902.9](#) [99-909.4](#) [99-909.5](#) [99-920.8](#) [A0261A](#) [11-931.2](#) [11-932.5](#) [11-936](#) [11-937](#)
[AKTSC22B](#) [AW-RF8](#) [161006](#) [1825068-6](#) [184-1872](#) [187-1872](#) [188-1471](#) [1DFBLK](#) [1D-GRY](#)