

MICRO SWITCH

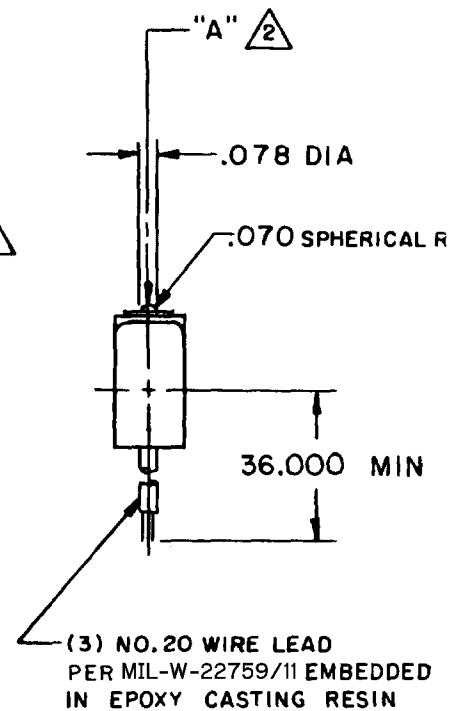
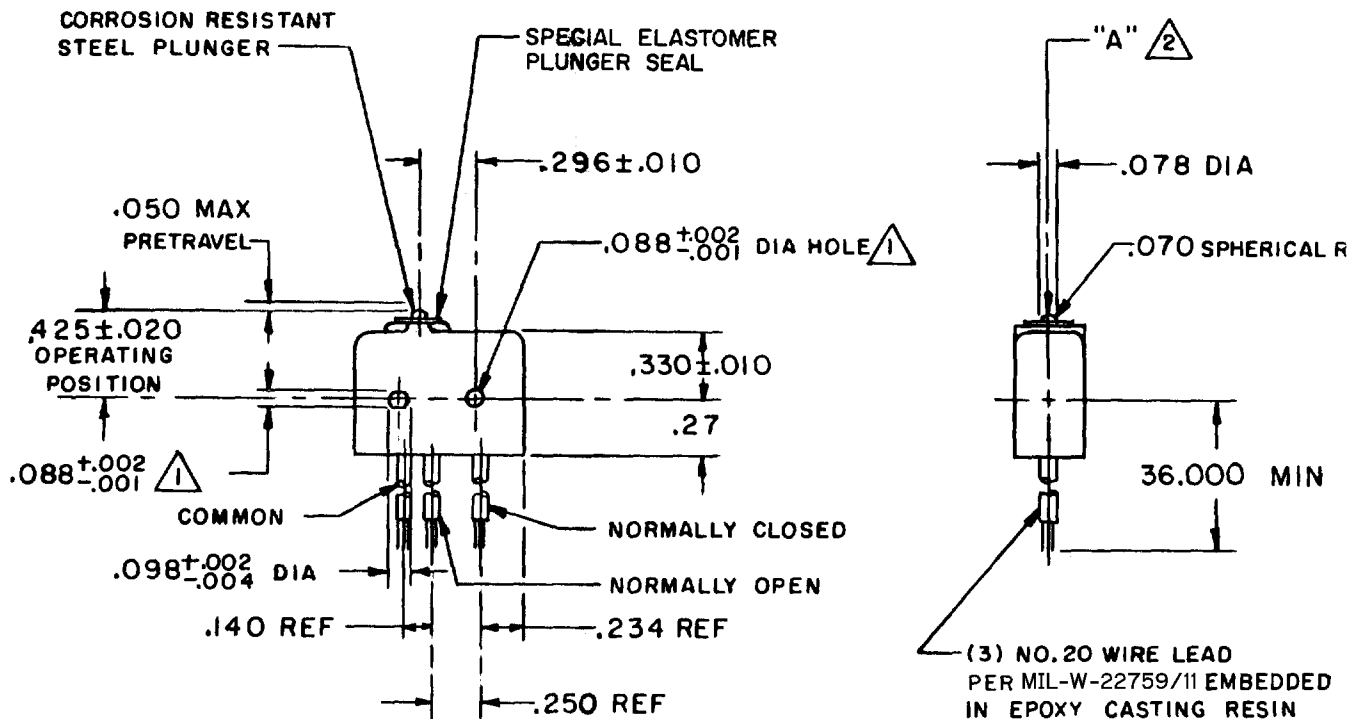
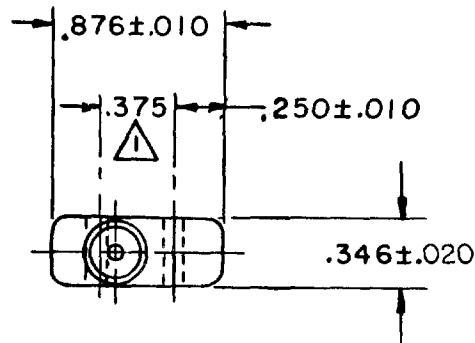
FREEMONT ILLINOIS, U.S.A
A DIVISION OF HONEYWELL

FED. MFG. CODE 91929

SWITCH-BASIC

CATALOG LISTING

12SEI-3



(3) NO. 20 WIRE LEAD PER MIL-W-22759/11 EMBEDDED IN EPOXY CASTING RESIN

NOTE-

- 1 - MOUNTING HOLES WILL ACCEPT .087 MAX DIA PINS OR SCREWS ON .375±.002 CENTERS
- 2 - ACTUATION IN LINE WITH ARROW "A" IS RECOMMENDED
- 3 - WEIGHT OF SWITCH ONLY IS .26 OZ MAX, WEIGHT OF SWITCH WITH WIRE LEADS IS 1.00 OZ MAX
- 4 - ESTABLISHED FOR CESSNA AIRCRAFT CO.

THIS DRAWING COVERS A PROPRIETARY ITEM AND IS THE PROPERTY OF MICRO SWITCH, A DIVISION OF HONEYWELL. THIS DRAWING IS NOT TO BE COPIED OR USED WITHOUT THE APPROVAL OF MICRO SWITCH.

CHARACTERISTICS

OPERATING FORCE ----- 5-19 OZ
RELEASE FORCE ----- 4 OZ MIN
RELEASE TRAVEL ----- .004 MIN
DIFFERENTIAL TRAVEL ----- .004 MAX
OVERTRAVEL ----- .003 MIN

ELECTRICAL DATA

CONTACT ARRANGEMENT
S P D T

250 VAC ----- 5 AMP
30 VOLTS DC RATING

INDUCTIVE ----- SEA LEVEL ----- 3 AMP
50,000 FT ----- 2.5 AMP
RESISTIVE ----- SEA LEVEL ----- 5 AMP
50,000 FT ----- 5 AMP
MAXIMUM INRUSH ----- 24 AMP

SCALE FULL

DO NOT SCALE PRINT

UNLESS OTHERWISE NOTED
DIMENSIONS ARE IN INCHES

TOLERANCES ARE:

ONE PLACE	(.0)	±.030
TWO PLACE	(.00)	±.015
THREE PLACE	(.000)	±.005
ANGLES		±.005

WEIGHT 3

FORMTEK
 FO-50375-1A
 DRAWN
MJB 22 OCT 70
 CHECK
DANW 28 OCT 70
 CHECK
SLR 28 OCT 70
 CHECK
WJM JUN 84
 CO 55430
D
WJM JUL 82
 CO 51463-D
C
J A L 26 SEPT 74
 CO
B
J A H 3 NOV 72
 CO 34213
3
PR-2984
A
 REVISIONS
 ISSUE
8
8
7
8
 DRAWING NUMBER
M
12SEI-3
 PAGE 1 OF 1
 RELEASE NO. PR-2984
 REPLACES

X-ON Electronics

Largest Supplier of Electrical and Electronic Components

Click to view similar products for [Basic / Snap Action Switches](#) category:

Click to view products by [Honeywell](#) manufacturer:

Other Similar products are found below :

[5SM901-S12](#) [5SM9-S12N195](#) [01.098.1358.1](#) [602EN532](#) [602EN535-RB](#) [602HE5-RB1](#) [604HE162](#) [604HE223-6B](#) [624HE17-RB](#) [6HM82](#)
[6HM89](#) [6SE1](#) [6SX1-H58](#) [70500216](#) [70599106](#) [MBD5B1](#) [MBH2731](#) [73-316-0012](#) [EXD-AR20](#) [79211923](#) [79218589](#) [7AS12](#)
[MIL30126AB6BBMD4A12XAU](#) [ML-1155](#) [ML-1376](#) [831010C3.0](#) [831090C2.EL](#) [83131904](#) [84212012](#) [8AS239](#) [8HM73-3](#) [8SX26-H33](#)
[914CE1-6G](#) [PL-100](#) [11SM1077-H4](#) [11SM1077-H58](#) [11SM1-TN107](#) [11SM405](#) [11SM8423-H2](#) [11SX37-T](#) [11SX48-H58](#) [11SM2442-T](#)
[11SM76-T](#) [11SM77-H58](#) [11SM77-T](#) [11SM863-T](#) [11SM866](#) [A7CN-1M-1-LEFT](#) [A831700C7.0](#) [121EN187-R](#)