

# MICRO SWITCH

FREERPORT ILLINOIS, U.S.A  
A DIVISION OF HONEYWELL  
FED. MFG. CODE 91929

# SWITCH - BASIC

CATALOG LISTING  
**12SE 2**

12SE 2

PAGE 1 OF 1

M

DRAWING NUMBER

5

ISSUE

6

REPLACES

RELEASE NO. PR-242

CHECK

REVISIONS

A	CO 51463
G J W	16 JUL 82
B	CO57041A
C J H	21 MAR 85
C	CO94274
D L M	MAR 99

CHECK

27 JUL 82

27 JUL 82

27 JUL 82

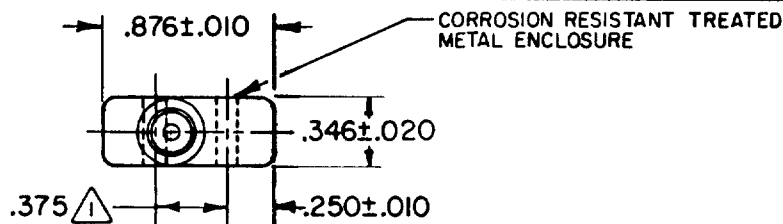
27 JUL 82

27 JUL 82

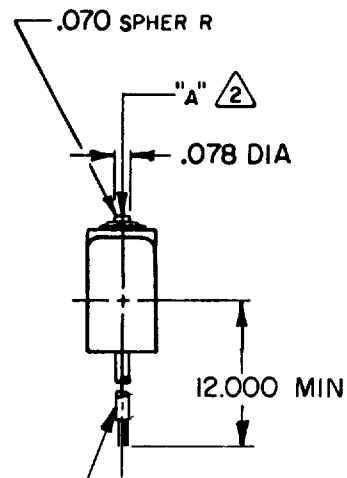
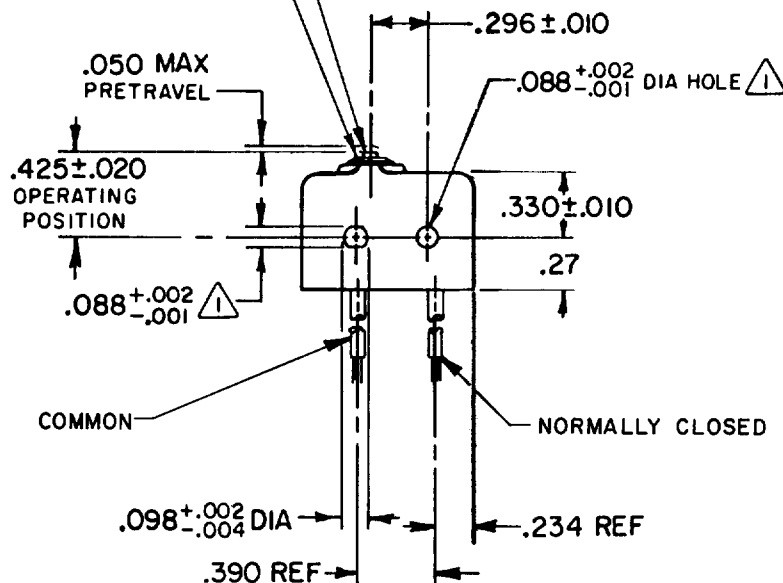
27 JUL 82

27 JUL 82

27 JUL 82



CORROSION RESISTANT STEEL PLUNGER  
SPECIAL ELASTOMER PLUNGER SEAL

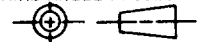


NOTES

- ① MOUNTING HOLES WILL ACCEPT .087 MAX DIA PINS OR SCREWS ON .375±.002 CENTERS
- ② ACTUATION IN LINE WITH ARROW "A" IS RECOMMENDED
- ③ WEIGHT OF SWITCH ONLY IS .26 OZ MAX, WEIGHT OF SWITCH WITH WIRE LEADS IS .51 OZ MAX
- 4 - ESTABLISHED FOR GRIMES MANUFACTURING CO.
- 5 - BASIC SWITCH SHALL HAVE A MAXIMUM RELEASE TIME OF (1) SECOND FOLLOWING 30 DAYS MAXIMUM EXPOSURE IN AIR THROUGH THE TEMPERATURE RANGE OF -65°F TO +221°F

THIS DRAWING COVERS A PROPRIETARY ITEM AND IS THE PROPERTY OF MICRO SWITCH, A DIVISION OF HONEYWELL. THIS DRAWING IS NOT TO BE COPIED OR USED WITHOUT THE APPROVAL OF MICRO SWITCH.

THIRD ANGLE PROJECTION



CHARACTERISTICS

OPERATING FORCE	-----5-19 OZ
RELEASE FORCE	----- 4 OZ MIN
RELEASE TRAVEL	----- .004 MIN
DIFFERENTIAL TRAVEL	----- .004 MAX
OVERTRAVEL	----- .003 MIN

ELECTRICAL DATA

CONTACT ARRANGEMENT	
S P N C	
250 VAC	----- 5 AMP
30 VOLTS DC RATING	
INDUCTIVE	SEA LEVEL -- 3 AMP
	50,000 FT -- 2.5 AMP
RESISTIVE	SEA LEVEL -- 5 AMP
	50,000 FT -- 5 AMP
MAXIMUM INRUSH	-----24 AMP

SCALE FULL

DO NOT SCALE PRINT

TOLERANCES				
APPLY TO DESIGN UNITS. CONVERSIONS ARE ONLY FOR REFERENCE. UNLESS NOTED, TOLERANCES ARE 2				
NO PLACES	DIM. mm	TOL. mm/in	DIM. in	TOL. mm/in
ONE PLACE	X	17.04	X	0.67/00
TWO PLACES	X,X	0.47/018	X,XX	0.26/.015
THREE PLACES	X,XX	0.10/.008	X,XXX	0.13/.005
ANGLES				
DESIGN UNITS		SI METRIC	US CUSTOMARY	
		<input type="checkbox"/>	<input checked="" type="checkbox"/>	

WEIGHT ③

FORMTEK

FO-32848-A

DRAWN

G J W 16 JUL 82

## X-ON Electronics

Largest Supplier of Electrical and Electronic Components

*Click to view similar products for [Basic / Snap Action Switches](#) category:*

*Click to view products by [Honeywell](#) manufacturer:*

Other Similar products are found below :

[5SM901-S12](#) [5SM9-S12N195](#) [01.098.1358.1](#) [602EN532](#) [602EN535-RB](#) [602HE5-RB1](#) [604HE162](#) [604HE223-6B](#) [624HE17-RB](#) [6HM82](#)  
[6HM89](#) [6SE1](#) [6SX1-H58](#) [70500216](#) [70599106](#) [MBD5B1](#) [MBH2731](#) [73-316-0012](#) [EXD-AR20](#) [79211923](#) [79218589](#) [7AS12](#)  
[MIL30126AB6BBMD4A12XAU](#) [ML-1155](#) [ML-1376](#) [831010C3.0](#) [831090C2.EL](#) [83131904](#) [84212012](#) [8AS239](#) [8HM73-3](#) [8SX26-H33](#)  
[914CE1-6G](#) [PL-100](#) [11SM1077-H4](#) [11SM1077-H58](#) [11SM1-TN107](#) [11SM405](#) [11SM8423-H2](#) [11SX37-T](#) [11SX48-H58](#) [11SM2442-T](#)  
[11SM76-T](#) [11SM77-H58](#) [11SM77-T](#) [11SM863-T](#) [11SM866](#) [A7CN-1M-1-LEFT](#) [A831700C7.0](#) [121EN187-R](#)