

# MICRO SWITCH

## SWITCH - ENCLOSED

CATALOG LISTING  
**151ML1**

THIS DRAWING COVERS A PROPRIETARY ITEM AND IS THE PROPERTY OF MICRO SWITCH A DIVISION OF HONEYWELL THIS DRAWING IS NOT TO BE COPIED OR USED WITHOUT THE APPROVAL OF MICRO SWITCH



FED. MFR. CODE 91929

OPERATING HEAD MOUNTS IN ANY OF FOUR POSITIONS

ROLLER LEVER MAY BE REVERSED

OPERATING POSITION

FREE POSITION

OPERATING POSITION

(M) 151ML1  
ISSUE 4

151ML1

M

DRAWING NUMBER

ISSUE

12

12

12

12

12

12

12

12

12

12

12

12

12

12

12

12

12

12

12

12

12

12

12

12

12

12

12

12

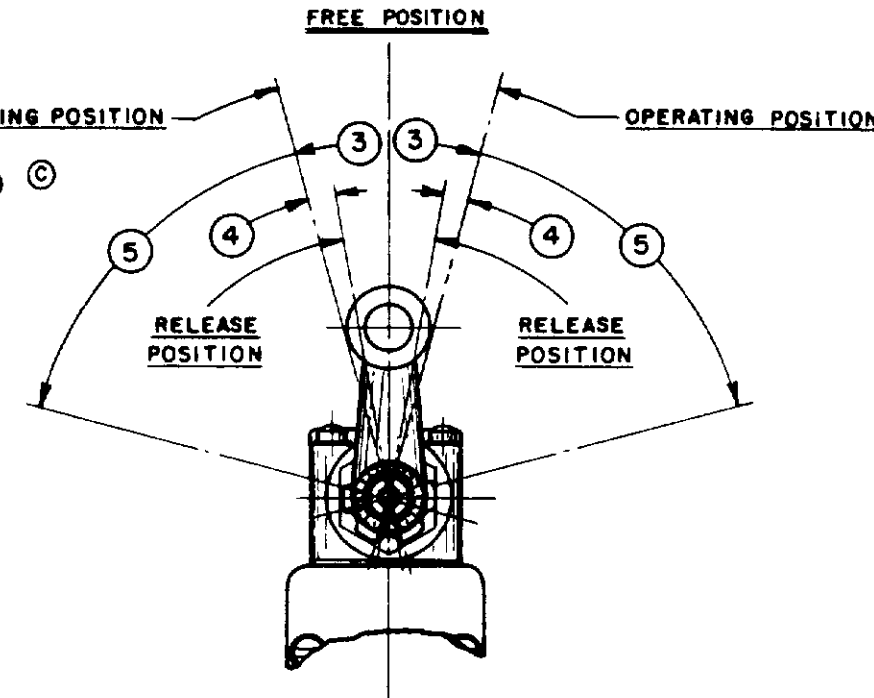
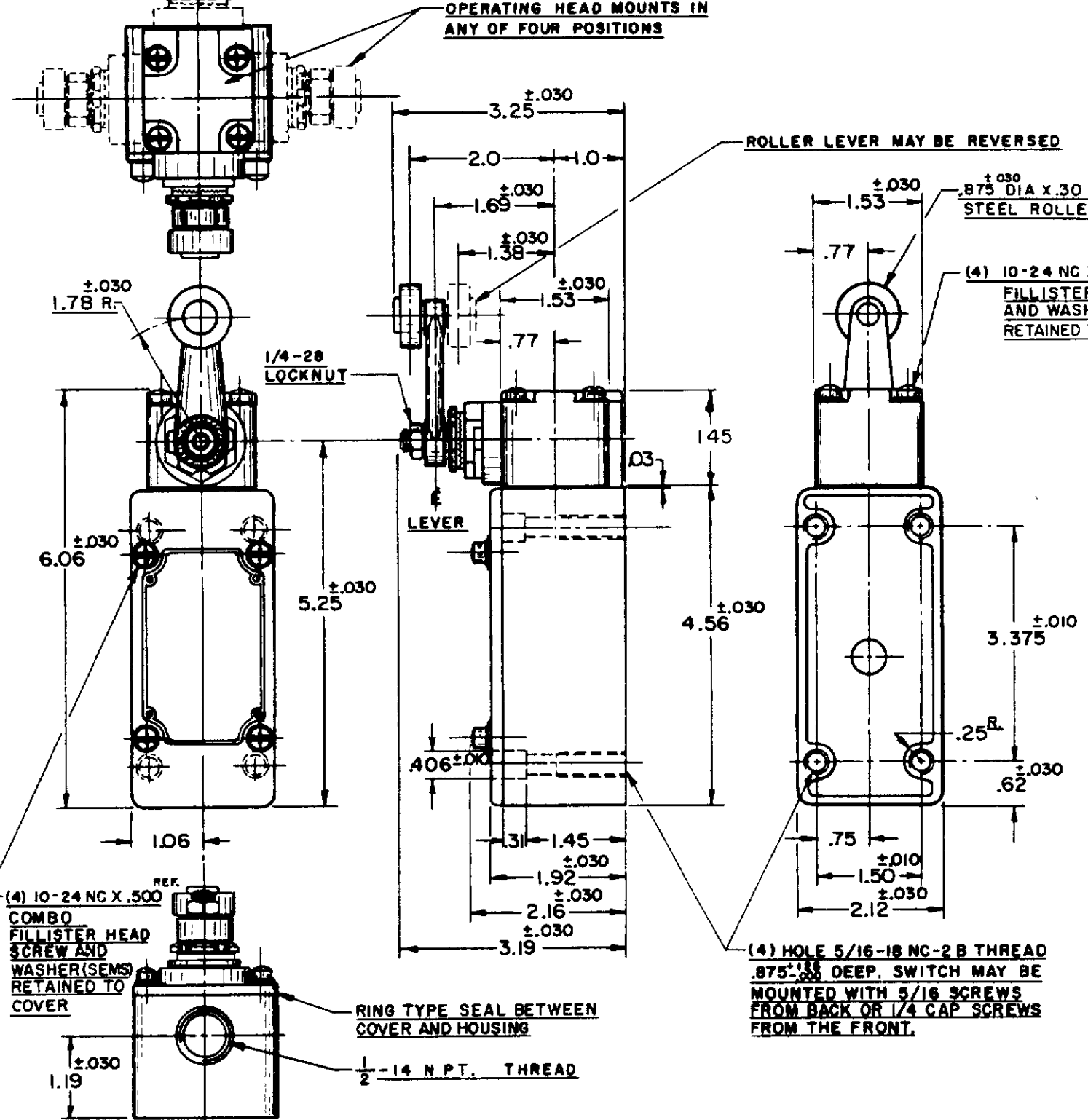
12

12

12

12

12



- NOTES
- 1 - IT IS ESSENTIAL TO PREVENT ENTRANCE OF HARMFUL AGENTS THRU THE CONDUIT OPENING TO OBTAIN THE FULL BENEFIT OF THE SEALED CONSTRUCTION PROVIDED IN THIS UNIT
  - 2 - SWITCH IS ASSEMBLED FOR ACTUATION IN EITHER DIRECTION
  - 3 - LEVER MAY BE POSITIVELY LOCKED AT INTERVALS OF APPROX 0.4° (870 POSITIONS)
  - 4 - LEVER MAY BE ADJUSTED TO ACTUATE THE SWITCH IN THE CLOCKWISE DIRECTION ONLY, THE COUNTER-CLOCKWISE DIRECTION ONLY, OR IN BOTH DIRECTIONS
  - 5 - TO CONVERT SWITCH FOR ACTUATION IN EITHER CLOCKWISE OR COUNTER-CLOCKWISE DIRECTION ONLY, REMOVE THE HEAD AND SLIDE THE CAM TOWARD THE REAR OF THE HEAD SUFFICIENTLY TO DISENGAGE FROM THE FLATS ON THE SHAFT. ROTATE THE CAM 90° IN THE OPPOSITE DIRECTION OF THE ACTUATION DESIRED AND RE-ENGAGE THE CAM WITH THE FLATS ON THE SHAFT

CHARACTERISTICS	ELECTRICAL DATA (IMNI)	SCALE 1/2 TO 1
OPERATING FORCE-----3 LBS. MAX.	CONTACT ARRANGEMENT TWO CIRCUIT DOUBLE THROW DOUBLE BREAK	DO NOT SCALE PRINT
FULL OVERTRAVEL FORCE-----4 LBS. MAX.	10A-120, 240, 480, OR 600 VAC 1/2 HP-120 VAC, 1 HP-240 VAC 0.8 A-115 VDC, 0.4 A-230 VDC PILOT DUTY 600 VAC MAX	UNLESS OTHERWISE SPECIFIED
RELEASE FORCE-----1/4 LB. MIN.		DIMENSIONS ARE IN INCHES <b>TOLERANCES ARE:</b>
PRETRAVEL-----③-----15° MAX.		ONE PLACE (.0) ±.000 TWO PLACE (.00) ±.005 THREE PLACE (.000) ±.000 ANGLES ±
DIFFERENTIAL TRAVEL-----④-----7° MAX.		WEIGHT
OVERTRAVEL-----⑤-----60° MIN.		
SWITCH-BASIC REPLACEMENT-----IMNI		

REVISIONS

A	CO11247	D M W	12 MAR 58
B	CO12789	M B F	15 MAY 58
C	CO18841	H B W	21 JAN 59
D	CO20578	M B F	DEC 59
E	CO28084	M B F	25 JUNE 69
F	CO32124-D	T S K	23 SEPT 63
G	CO55051-B	J A P	17 DEC 64
H	CO74287	G J W	22 APR 93

FO-80378 003  
DRAWN  
Q. M. W. 12 MAR 58  
CHECK G. C. H. 4 APR 58  
CHECK K. F. M. 4 APR 58  
RELEASE NO. 58

## X-ON Electronics

Largest Supplier of Electrical and Electronic Components

*Click to view similar products for [Limit Switches](#) category:*

*Click to view products by [Honeywell](#) manufacturer:*

Other Similar products are found below :

[5ML1-E1](#) [5ML31](#) [LZG1](#) [LZL1-6C](#) [622EN114-R](#) [622EN18-6](#) [622EN224-6B](#) [622EN230](#) [622EN237-R](#) [622EN69-3](#) [622EN85-RB](#) [MA-10019](#)  
[6PA109](#) [7LS51](#) [83547001](#) [83725002](#) [83830001](#) [83840701](#) [83841001](#) [83881140](#) [8AS42](#) [8LS10](#) [8LS125-4PG](#) [8LS152-4PGN20](#) [914CE16-](#)  
[3A](#) [914CE3-3L1](#) [915PA10](#) [91MCE16-P2O](#) [924CE16-Y3](#) [924CE1-S6](#) [924CE1-T25A](#) [924CE1-T3](#) [924CE1-T9A](#) [924CE2-T9](#) [924CE31-Y20-](#)  
[X5](#) [924CE31-Y3L1](#) [GL-10054](#) [GLAB26J2B](#) [GLDB03C-6](#) [GLDC05C](#) [GLZ324](#) [PS21R-NT11N7-YK0](#) [H3141CAKAA](#) [RDI-G-L5B](#) [DD-](#)  
[10000](#) [DT-2R3-A7](#) [14CE16-3N28](#) [14CE18-N15](#) [151ML3-E1](#) [E3102BAAAA](#)